



10 9 8 7 6 5 4 3 2 1

F

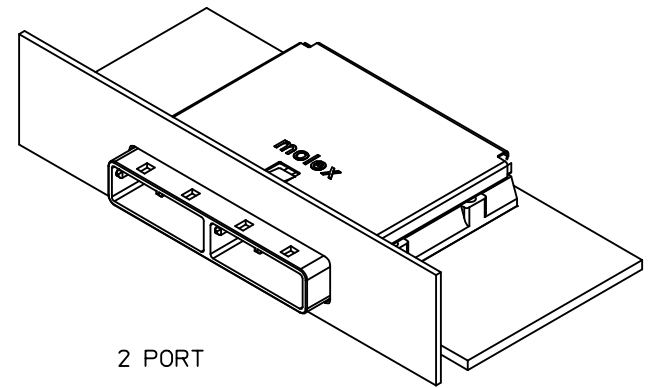
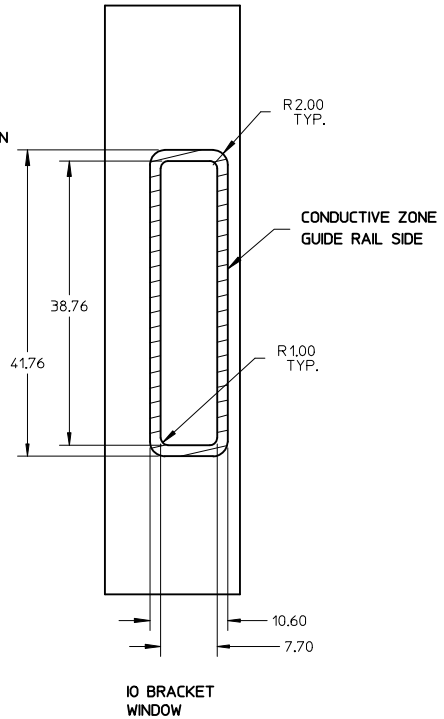
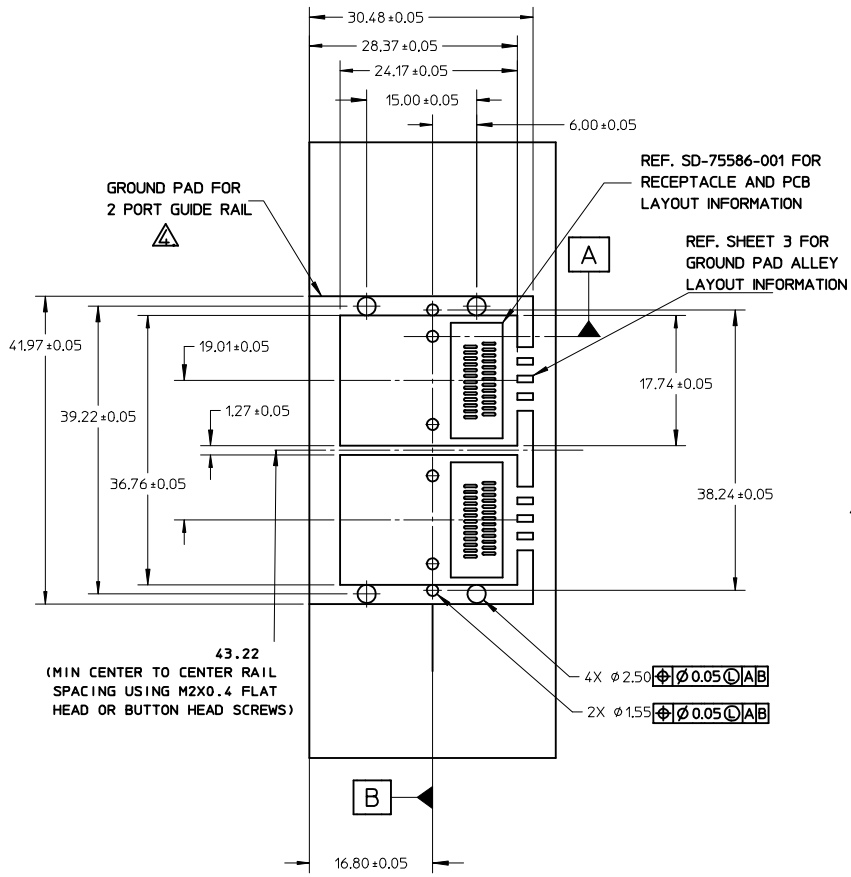
E

D

C

B

A

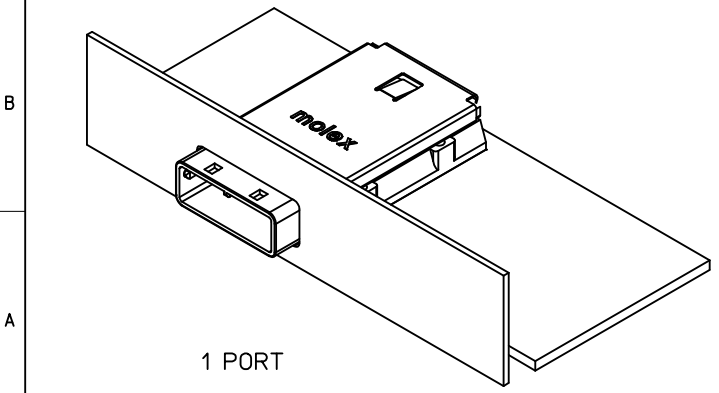
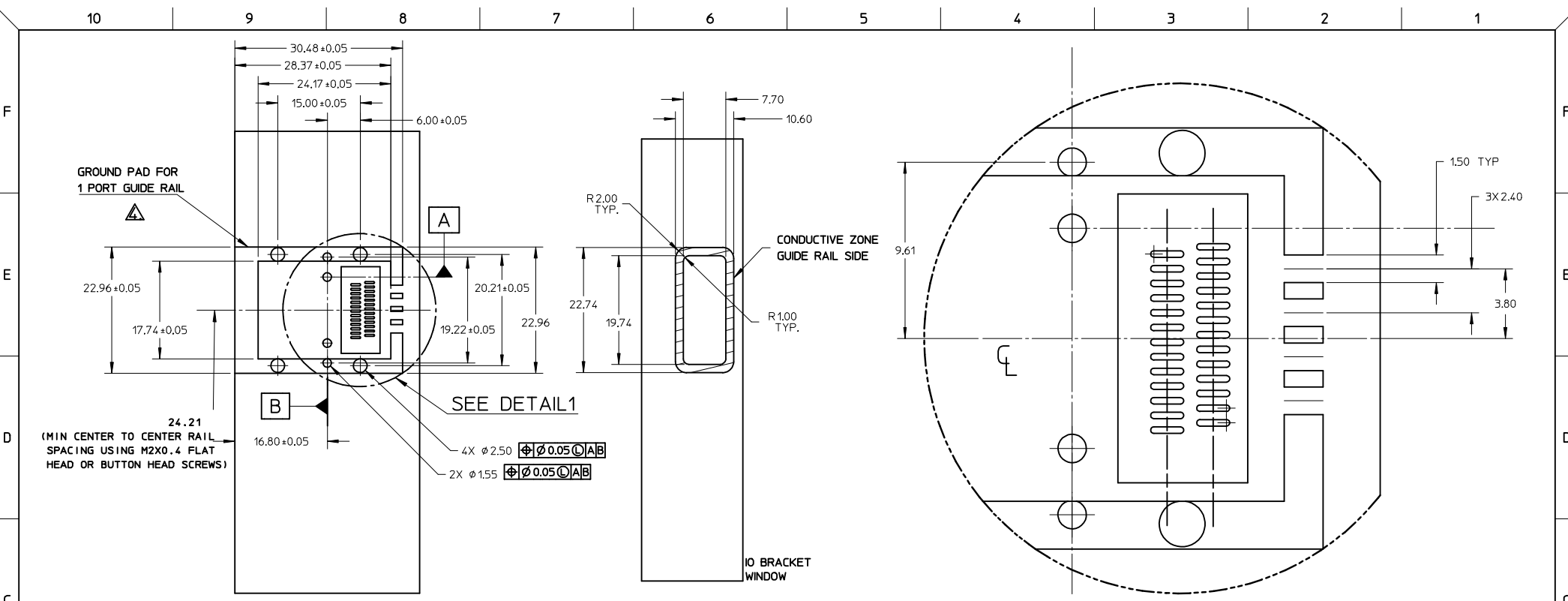


PART NUMBER	PORT SIZE	SW	OAW	KEY(S) PORT1	KEY(S) PORT2	IDENTIFIERS
745480202	2	38.26	41.96	1	1	SATA - 'X' CABLES
745480206	2	38.26	41.96	2,4	2,4	SAS OUT PORT/END DEVICE
745480207	2	38.26	41.96	4,6	4,6	SAS IN PORT/END DEVICE
745480208	2	38.26	41.96	4	4	SAS UNIVERSAL PORT
745480213	2	38.26	41.96	7	7	SATA - 'M' CABLES
745480215	2	38.26	41.96	4,6	2,4	SAS IN PORT - SAS OUT PORT
745480216	2	38.26	41.96	2,4	4,6	SAS OUT PORT - SAS IN PORT
745480218	2	38.26	41.96	2	2	SAS - IN PORT
745480221	2	38.26	41.96	6	6	SAS - OUT PORT
745480224	2	38.26	41.96	3	3	SRIO

I-PASS IS A TRADE MARK OF MOLEX.

<b>SEE REVISION TABLE</b> EC NO: CPG2015-0132 DRWN: SYANG16 2013/09/27 CHKD: EWANG07 2014/08/15 APPR: RCHEN08 2014/08/19	QUALITY SYMBOLS	GENERAL TOLERANCES (UNLESS SPECIFIED)	DIMENSION STYLE	SCALE	DESIGN UNITS	THIRD ANGLE PROJECTION
	▽=0	mm INCH	MM ONLY	1:1	METRIC	⊙
	▽=0	4 PLACES ± --- ± ---	DRAWN BY DATE	TITLE <b>I-PASS 26 CKT ZERO DEG. EMI GUIDE RAIL HOUSING ASSEMBLY, MULTI PORT</b> 		
	▽=0	3 PLACES ± --- ± ---	CHECKED BY DATE			
	▽=0	2 PLACES ± 0.13 ± ---	BREED 2006/05/26			
▽=0	1 PLACE ± 0.25 ± ---	APPROVED BY DATE				
	0 PLACE ± ±	DDOYE 2006/05/26	MATERIAL NO.	DOCUMENT NO.	SHEET NO.	
	ANGULAR ± 1/2°	DRAFT WHERE APPLICABLE MUST REMAIN WITHIN DIMENSIONS	SEE TABLE	SD-74548-200	2 OF 4	
			THIS DRAWING CONTAINS INFORMATION THAT IS PROPRIETARY TO MOLEX INCORPORATED AND SHOULD NOT BE USED WITHOUT WRITTEN PERMISSION			

9 8 7 6 5 4 3 2 1



DETAIL1  
Scale 5:1

PART NUMBER	PORT SIZE	SW	OAW	KEY(S)	IDENTIFIERS
745480201	1	19.24	22.95	1	SATA - 'X' CABLES
745480209	1	19.24	22.95	2,4	SAS OUT PORT/END DEVICE
745480210	1	19.24	22.95	4,6	SAS IN PORT/END DEVICE
745480211	1	19.24	22.95	4	SAS UNIVERSAL PORT
745480214	1	19.24	22.95	7	SATA - 'M' CABLES
745480219	1	19.24	22.95	2	SAS OUT PORT
745480222	1	19.24	22.95	6	SAS IN PORT
745480225	1	19.24	22.95	3	SR10
745480229	1	19.24	22.95	2,7	CX4

PCB THICKNESS	SCREW LENGTH	TORQUE (IN LBS)
1.6 (.063')	5MM	2.3
2.38 (.093')	6MM	2.3
3.2 (.125')	6MM	2.3
X	+4MM MAX	2.3

SEE REVISION TABLE EC NO: CPG2015-0132 DRAWN: SYANG16 2013/09/27 CHKD: EWANG07 2014/08/15 APPR: RICHEN08 2014/08/19	QUALITY SYMBOLS	GENERAL TOLERANCES (UNLESS SPECIFIED)	DIMENSION STYLE	SCALE	DESIGN UNITS	THIRD ANGLE PROJECTION TITLE <b>I-PASS 26 CKT ZERO DEG. EMI GUIDE RAIL HOUSING ASSEMBLY, MULTI PORT</b> <b>moLEX</b> DOCUMENT NO. <b>SD-74548-200</b> SHEET NO. <b>3 OF 4</b>
	▽F=0	mm INCH	MM ONLY	1:1	METRIC	
	▽E=0	4 PLACES ± --- ± ---	DRAWN BY DATE	DATE	DATE	
	▽F=0	3 PLACES ± --- ± ---	CHECKED BY DATE	DATE	DATE	
	2 PLACES ±0.13 ± ---	BREED 2006/05/26	APPROVED BY DATE	DATE		
	1 PLACE ±0.25 ± ---	DDOYE 2006/05/26	MATERIAL NO.	DATE		
	0 PLACE ± ±		SEE TABLE			
	ANGULAR ±1/2°					
	DRAFT WHERE APPLICABLE MUST REMAIN WITHIN DIMENSIONS					

DATE	REV	DESCRIPTION
2014/08/14	U	1.CHANGED 40.0 TO 40.0 REF $\text{\textcircled{0}}\text{B9}$ [SHEET 1] 2.CHANGED DIM 25.09 TO 25.09 REF $\text{\textcircled{0}}\text{A10}$ BASED ON SFF-8088 [SHEET 1] 3.ADDED NOTE FOR DIM 8.63 +0.13/-0.18 $\text{\textcircled{0}}\text{A7}$ [SHEET 1] 4.ADDED DIM 15.25MAX $\text{\textcircled{0}}\text{B9}$ BASED ON SFF-8088 [SHEET 1] 5.ADDED REVISION HISTORY [SHEET 4]. 6.CHANGED ALL LOCATIONS OF DIMENSION MULTIPLIERS. (EX: "YY(3)" TO "3X YY")

SEE REVISION TABLE EC NO: CPG2015-0132 DRWN:SYANG16 2013/09/27 CHKD:EWANG07 2014/08/15 APPR:RCHEN08 2014/08/19	QUALITY SYMBOLS	GENERAL TOLERANCES (UNLESS SPECIFIED)	DIMENSION STYLE	SCALE	DESIGN UNITS	THIRD ANGLE PROJECTION	
	$\nabla = 0$	mm INCH	MM ONLY	1:1	METRIC		
	$\nabla = 0$	4 PLACES ± --- ± ---	DRAWN BY DATE	TITLE I-PASS 26 CKT ZERO DEG. EMI GUIDE RAIL HOUSING ASSEMBLY, MULTI PORT			
	$\nabla = 0$	3 PLACES ± --- ± ---	SNAVARRO 2006/05/26				
	$\nabla = 0$	2 PLACES ± 0.13 ± ---	CHECKED BY DATE	DOCUMENT NO. SD-74548-200 SHEET NO. 4 OF 4			
	1 PLACE ± 0.25 ± ---	BREED 2006/05/26					
	0 PLACE ± ±	APPROVED BY DATE	MATERIAL NO. SEE TABLE THIS DRAWING CONTAINS INFORMATION THAT IS PROPRIETARY TO MOLEX INCORPORATED AND SHOULD NOT BE USED WITHOUT WRITTEN PERMISSION				
	ANGULAR ± 1/2°	DDOYE 2006/05/26					