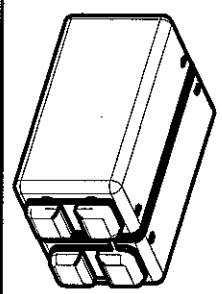
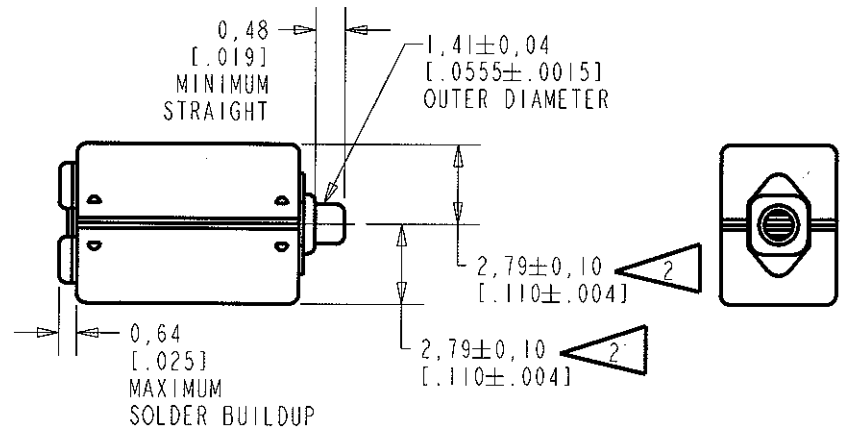
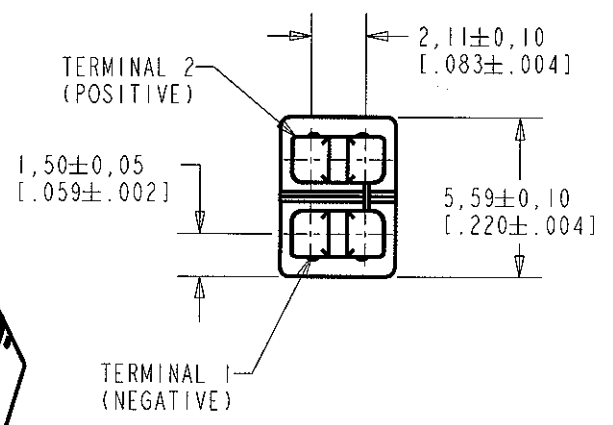
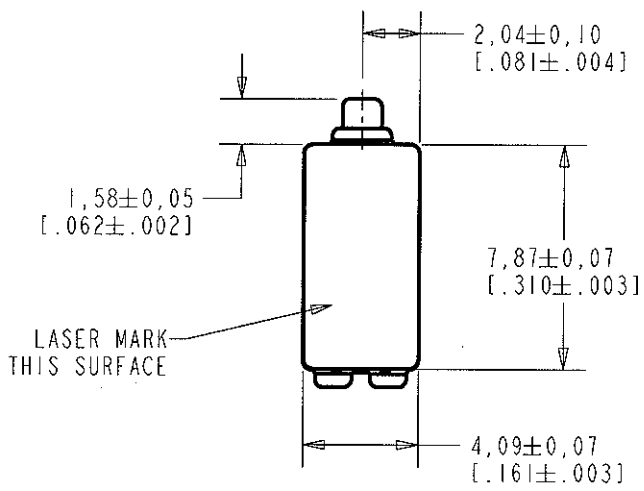


**DTEC-30388-000**  
**SHT 1.1**

NOTES:

1. A POSITIVE GOING VOLTAGE AT TERMINAL 2, RELATIVE TO TERMINAL 1, CAUSES A DECREASE IN PRESSURE AT THE SOUND OUTLET.

2. LOCATED FROM TWO SURFACES FOR CUSTOMER CONVENIENCE. ONLY APPLICABLE FROM ONE SURFACE, NOT TO BE USED TOGETHER. HORIZONTAL LOCATION FOR TERMINAL CENTERED TO  $\pm 0.17$  [0.007].



NOMINAL WEIGHT  
 .71 GRAMS

DIMENSIONS IN MILLIMETERS [INCHES]

**KNOWLES ELECTRONICS**  
 ITASCA, ILLINOIS U.S.A.

Revision	C.O. #	Implementation Date	RELEASE LEVEL	REVISION
C	C10111230	5-13-10	Active	C
A	C10107508	4-24-08		

SCALE:	4:1		DR. BY	DATE
DO NOT SCALE DRAWING			MMM	4-24-08
TITLE:	RECEIVER	DTEC-30388-000	CK. BY	DATE
	OUTLINE DRAWING	SHT 1.1	GJP	4-24-08
			APP. BY	DATE
			GJP	4-24-08

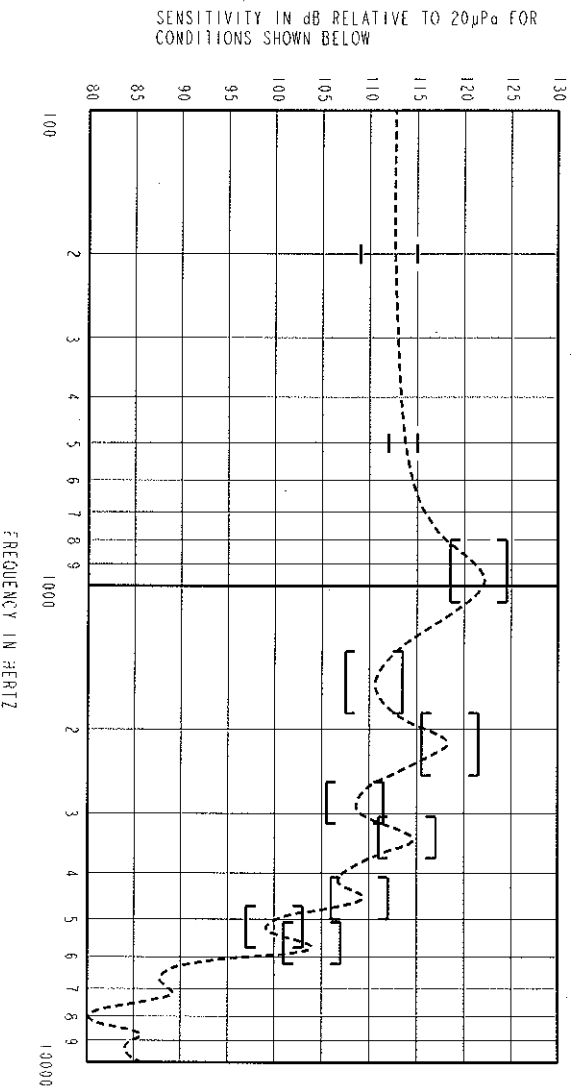
THE DTEC-30388-000 IS A PAIR OF BALANCED ARMATURE RECEIVERS INTENDED FOR USE IN BITE HEARING AIDS. IT HAS A LOW DCR TO IMPEDANCE RATIO AND IS THE SAME SIZE AS AN EF RECEIVER

NO DAMPING

DTEC-30388-000  
SHEET 2.1

NOTE: SPECIFICATIONS FOLLOWED BY AN ASTERISK (\*) ARE 100% TESTED.

CONSTANT VOLTAGE DRIVE CONDITIONS



ACOUSTICAL

SENSITIVITY\*  
DEVICE WILL PRODUCE THE SPL LISTED BELOW UNDER TEST CONDITIONS DESCRIBED IN TABLE 3. NOMINAL SENSITIVITY AT 500 HZ IS 98 RELATIVE TO 20µPa. ALL OTHER VALUES IN DB RELATIVE TO THE SENSITIVITY AT 500 HZ.

FREQUENCY (HZ)	MINIMUM	NOMINAL	MAXIMUM
200	-4.5	-1.5	+1.5
500	-1.5	+13.5	+1.5
800-1080	+5.0	+8.0	+11.0
1370-1850	-6.0	-3.0	0.0
1850-2560	+2.0	+5.0	+8.0
2575-3145	-8.0	-5.0	-2.0
3050-3730	-2.5	+0.5	+3.5
4085-4995	-7.5	-4.5	-1.5
4690-5730	-16.5	-13.5	-10.5
5075-6205	-12.5	-9.5	-6.5

TABLE 1

TOTAL HARMONIC DISTORTION\*  
DEVICE WILL NOT EXCEED TOTAL HARMONIC DISTORTION LEVELS LISTED BELOW.

FREQUENCY (HZ)	AC DRIVE (V rms)	DC BIAS (mA)	LIMIT (%)
315	0.164	0	5
470	0.164	0	5
470	0.328	0	10

TABLE 2

TEST CONDITIONS

NOMINAL SOURCE VOLTAGE	0.164 V rms. TO DELIVER 0.70 mVA AT 500 HZ
SOURCE IMPEDANCE	<1 Ohm
TUBING	2mm X 1mm ID + 20mm X 1.5mm ID EAR HOOK SIMULATOR + 25mm X 2mm ID TUBE + 18mm X 3mm ID TUBE
COUPLER CAVITY	2 cm <sup>3</sup> SIMULATED ANSI S3.7 TYPE HA-3 (IEC 60318-5)

TABLE 3

ELECTRICAL

DC RESISTANCE	22 OHMS ± 10% *
IMPEDANCE @ 500 HZ	38 OHMS ± 15% *
INDUCTANCE @ 500 HZ	16 mH TYPICAL
CAPACITANCE @ 10 MHZ	2 pF TYPICAL

TABLE 4

ISOLATION: CASE WILL BE ELECTRICALLY ISOLATED FROM THE COIL CIRCUIT.\*

MECHANICAL

PORT LOCATION: 12S

SOLDER TYPE: SAC305

TEMPERATURE OPERATING: SENSITIVITY WILL NOT VARY MORE THAN ±1/-3 DB FROM -17°C TO 63°C  
STORAGE: -40°C TO 63°C

KNOWLES ELECTRONICS  
ITASCA, ILLINOIS U.S.A.

RECEIVER

DTEC-30388-000

PERFORMANCE SPECIFICATION

SMT 2.1

G.P.

Revision	C.O. #	Implementation Date	RELEASE LEVEL	REVISION
C	C10111230	5-13-10	Active	C
A	C10107508	6-24-08		

WHEN TEST LIMITS ARE USED TO ESTABLISH INCOMING INSPECTION ACCEPTANCE/REJECTION CRITERIA, CORRELATION OF TEST EQUIPMENT WITH KNOWLES IS ALSO REQUIRED FOR ELIMINATION OF EQUIPMENT AND TEST METHOD VARIATION

DATE	BY	DATE
6-24-08	MML	6-24-08
6-24-08	GJE	6-24-08
6-24-08	GJP	6-24-08