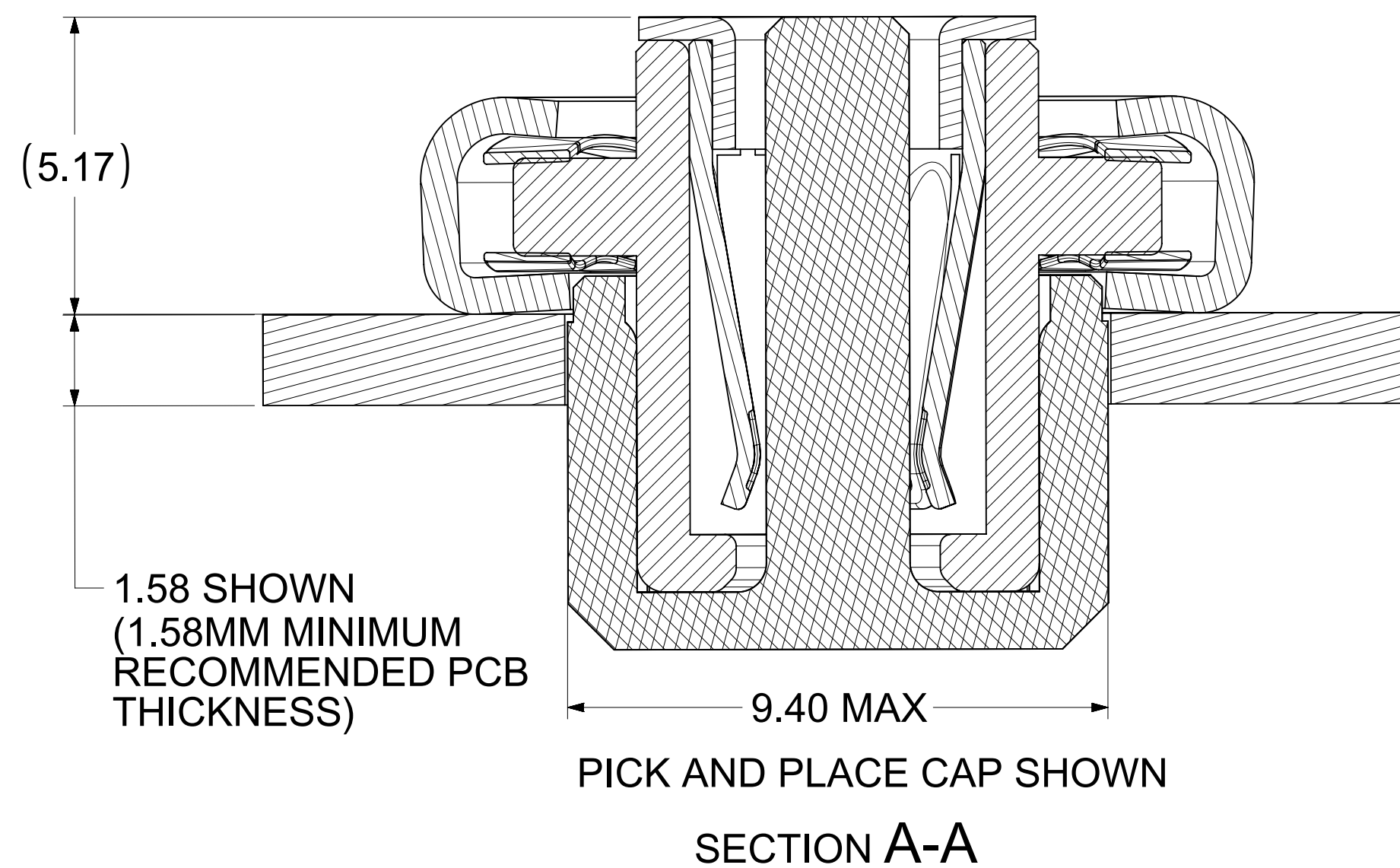


MATING PROFILE

NOTES:

1. MATERIALS:
 RETENTION CAP: STAINLESS STEEL
 PICK AND PLACE CAP: LCP UL94, V-0 COLOR BLACK
 BASE METAL: HIGH CONDUCTIVE COPPER ALLOY
 PLATING ON CONTACTS: 0.75 MICRON MIN GOLD OVER 1.27 MICRON MIN NICKEL
 PLATING ON BODY: 3.18 MICRON MIN SILVER OVER 1.27 MICRON MIN NICKEL
2. MATES WITH STANDARD PIN DRAWINGS
 (MATING DISTANCE BASED ON 1.58MM BOARD THICKNESS):
 i. 3.4MM SMT DRAWING 2032631134-SD, MIN. MATING DISTANCE 6.00MM
 ii. 3.4MM PRESS FIT DRAWING 2032630018-SD, MIN. MATING DISTANCE 5.75MM
3. PRODUCT SPECIFICATION: 2043130018-PS
4. APPLICATION SPECIFICATION: 2043130018-AS
 SEE APPLICATION SPEC FOR SOLDERING INFORMATION.
5. PACKAGING SPECIFICATION: 2043130018-PK
6. SILVER COMPONENTS WILL BE SUPPLIED TARNISH FREE BUT MAY TARNISH OVER TIME.
7. PICK AND PLACE CAP TO BE REMOVED AFTER SOLDERING. CAP TO BE PUSHED OUT OF BOTTOM FROM THE TOP.
8. DATE CODE TO BE LASER MARKED APPROXIMATELY WHERE SHOWN USING DDYY FORMAT



THIS DRAWING CONTAINS INFORMATION THAT IS PROPRIETARY TO MOLEX ELECTRONIC TECHNOLOGIES, LLC AND SHOULD NOT BE USED WITHOUT WRITTEN PERMISSION											
DIMENSION UNITS: mm		SCALE: NTS		CURRENT REV DESC: UPDATED THE TITLE BLOCK							
GENERAL TOLERANCES (UNLESS SPECIFIED)				EC NO: 730607 DRWN: SOURAJ 2022/11/30 CHK'D: GSHARMA 2022/12/08 APPR: HTHYAGARAJ 2022/12/14 INITIAL REVISION: DRWN: RLOW 2019/12/18 APPR: BPISZCZOR 2020/06/15							
ANGULAR TOL ± 0.5°											
4 PLACES ±											
3 PLACES ±											
2 PLACES ± 0.15											
1 PLACE ± 0.25											
0 PLACES ±				DOCUMENT NUMBER		DOC TYPE		DOC PART		REVISION	
DRAFT WHERE APPLICABLE MUST REMAIN WITHIN DIMENSIONS				THIRD ANGLE PROJECTION		DRAWING: D-SIZE		SERIES: 204365		MATERIAL NUMBER: 2043655018	
DOCUMENT STATUS: P1				RELEASE DATE: 2022/12/14 06:00:36		CUSTOMER: GENERAL MARKET		SHEET NUMBER: 1 OF 1			

molex

3.4MM CENTRALITY BOTTOM ENTRY SMT SOCKET WITH FLOAT IN TRAY

PRODUCT CUSTOMER DRAWING

2043655018-SD PSD 000 B2