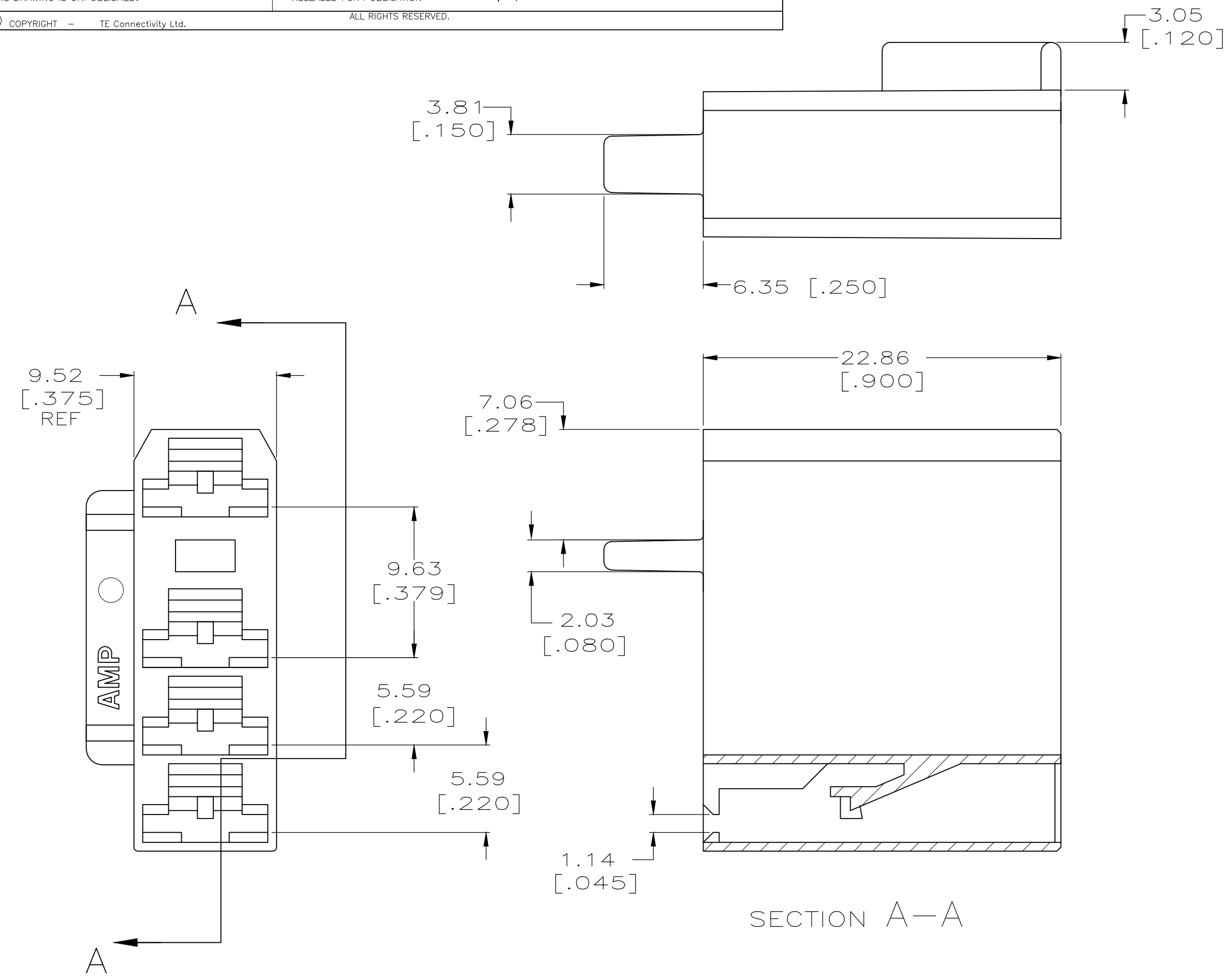
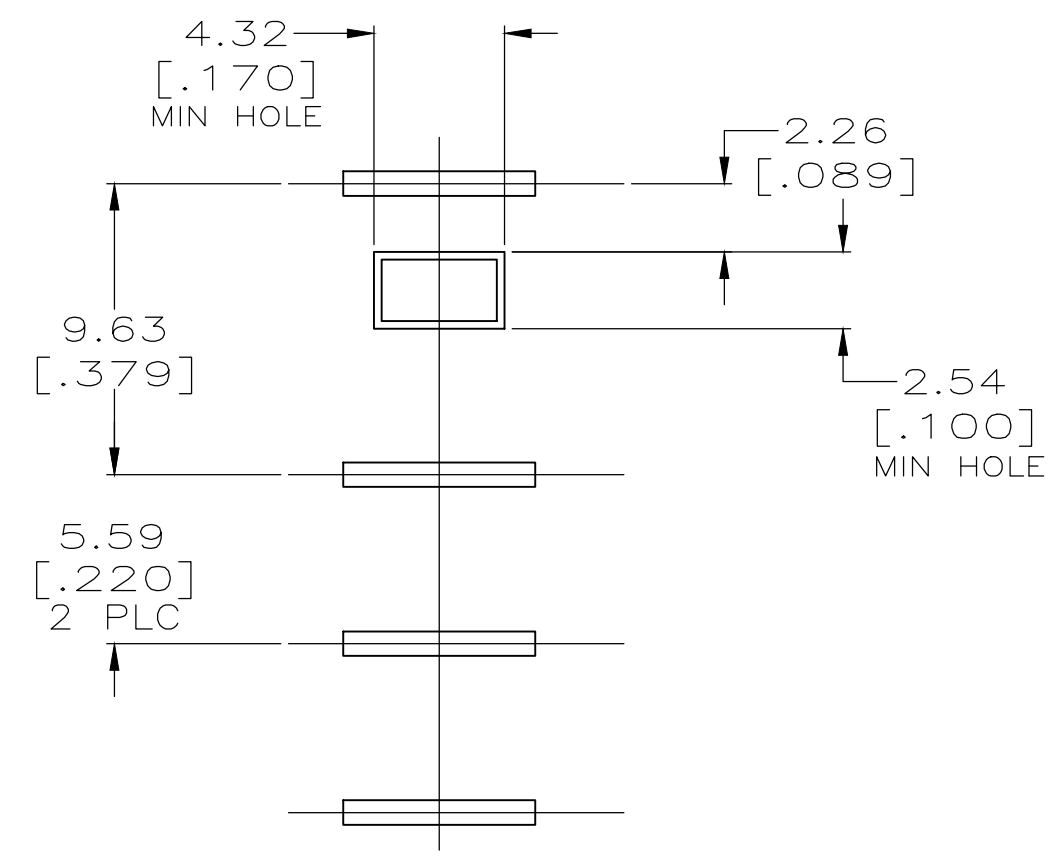
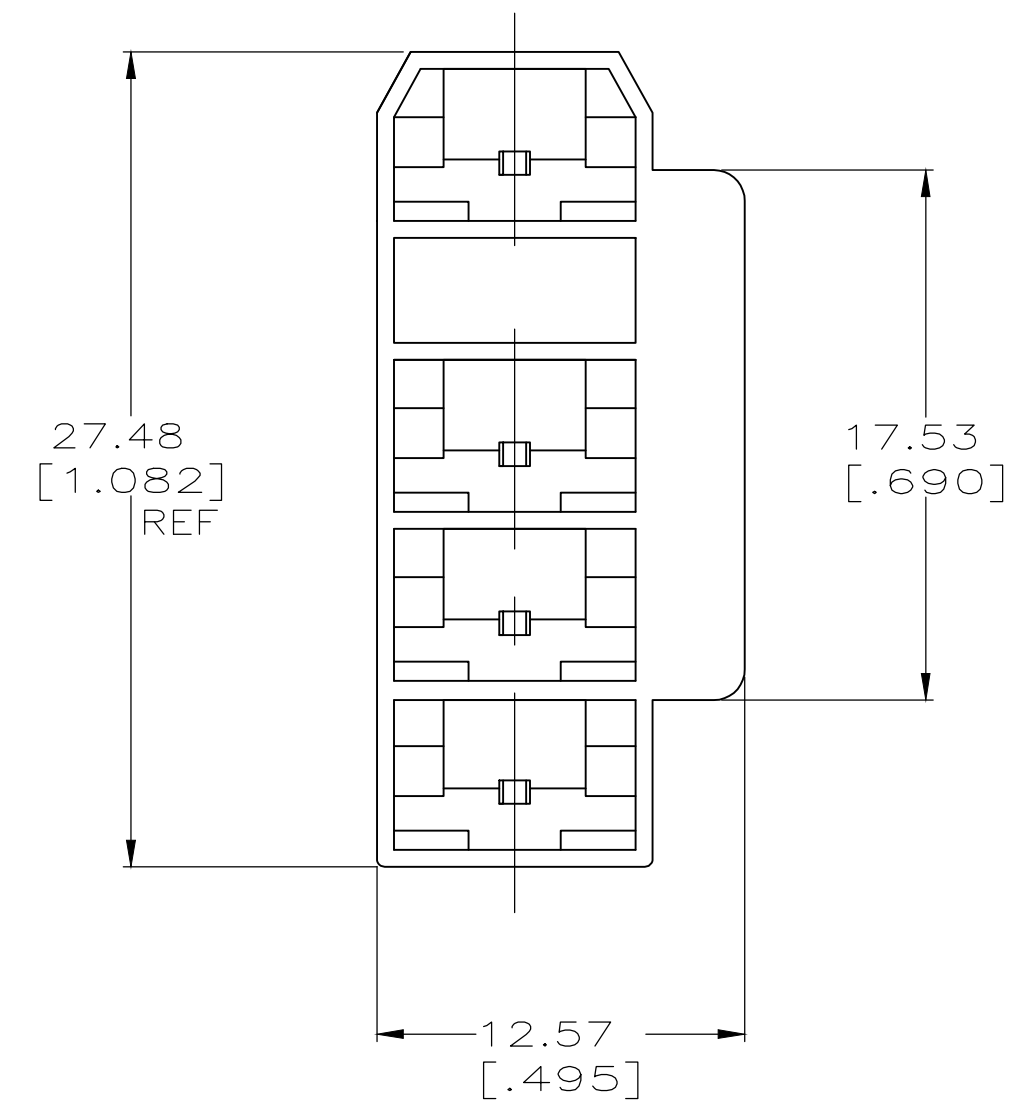


REVISIONS					
P	LTR	DESCRIPTION	DATE	DWN	APVD
B2		REVISED PER ECR-19-010752	25JUL2019	BDA	DS

1 FOR USE WITH TYCO ELECTRONICS 250 SERIES LOW INSERTION RECEPTACLES.
 2 PREPRODUCTION ONLY, AGENCY APPROVAL IS PENDING.



SECTION A-A



SUGGESTED P.C.BOARD DIMENSIONS

BLACK	NYLON V0	521065-2 2
BLACK	6/6 NYLON	521065-1
FINISH	MATERIAL	PART NUMBER

THIS DRAWING IS A CONTROLLED DOCUMENT.		DWN	JR RUTH	7/28/94	TE Connectivity HOUSING, RECEPTACLE, FASTON, 6.35 [.250] SERIES			
DIMENSIONS:		CHK	MS FEHER	7/28/94				
INCHES		APVD	-	-				
0 PLC ± - 1 PLC ± - 2 PLC ± - 3 PLC ± 0.25 [.010] 4 PLC ± - ANGLES ± -		PRODUCT SPEC	-	-				
MATERIAL	SEE TABLE	FINISH	SEE TABLE	WEIGHT	SIZE	CAGE CODE	DRAWING NO	RESTRICTED TO
					A2	00779	C=521065	-
CUSTOMER DRAWING				SCALE	4:1	SHEET	1 OF 1	REV
								B2