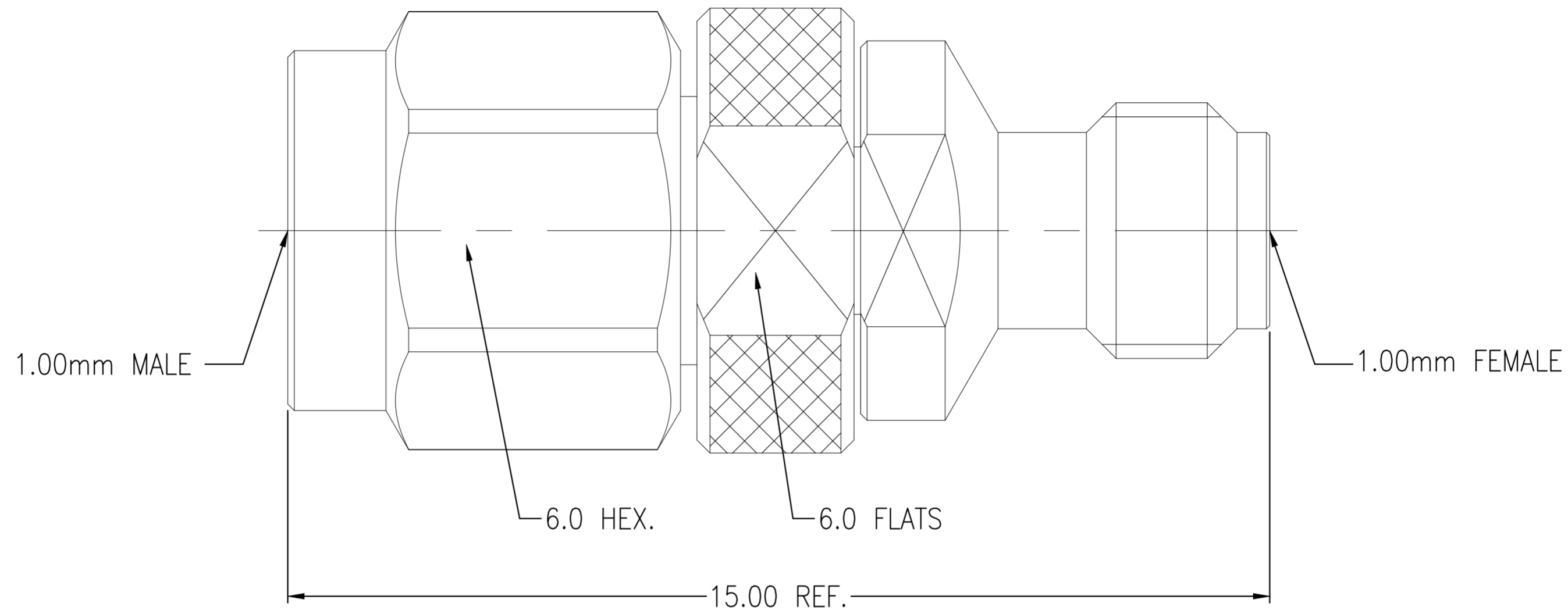


REVISIONS				
P	LTR	DESCRIPTION	DATE	APVD
A		ECN-21-107697	30JUN2021	PZ WKH



ELECTRICAL	MECHANICAL	ENVIRONMENTAL
Impedance (Ohm): <u>50</u> Frequency Range: <u>DC to 110GHz</u> Voltage Rating (Peak) @ Sea Level <u>170 V RMS</u> Insulation Resistance (MIN.) <u>5000 M ohms</u> Contact Resistance (mohms MAX) Center Contact <u>4.0</u> Outer Contact <u>1.0</u> Dielectric Withstand Voltage: <u>500 V RMS Max</u> Insertion Loss : <math><0.05x\sqrt{f}</math> (GHz) dB VSWR: <u><1.25 @ DC ~ 67GHz</u> <u><1.35 @ 67 ~ 110GHz</u>	Interface Dimension <u>1.0mm male and female</u> Force to Engage and Disengage Engage: <u>N/A</u> Disengage: <u>N/A</u> Center Contact Captivation Axial (N) <u>12.0 MIN</u> Radial (In/Oz) <u>N/A</u> Cable Retention Axial (Lbs) <u>N/A</u> Mating cycles <u>500 cycles</u>	TEMPERATURE RANGE <u>-40 °C ~ +125 °C</u> ROHS <u>COMPLIANT</u>

1	SHELL	STAINLESS STEEL 316F	PASSIVATION
1	CONTACT PIN	BERYLLIUM COPPER	PL.GOLD30u"/NICKEL
1	INSULATOR	PEI	N/A
1	BODY	STAINLESS STEEL 316F	PASSIVATION
2081774-1	PART NUMBER	MATERIAL	PLATING

THIS DRAWING IS A CONTROLLED DOCUMENT.		DWN PENG ZHAI 06JAN2021																				
DIMENSIONS: mm		CHK ROGER SONG 06JAN2021																				
TOLERANCES UNLESS OTHERWISE SPECIFIED:		APVD WENKE HE 06JAN2021	NAME 1.0mm ADAPTER MALE TO FEMALE																			
<table border="1"> <tr><td>0 PLC</td><td>±</td><td>-</td></tr> <tr><td>1 PLC</td><td>±</td><td>0.3</td></tr> <tr><td>2 PLC</td><td>±</td><td>0.2</td></tr> <tr><td>3 PLC</td><td>±</td><td>0.1</td></tr> <tr><td>4 PLC</td><td>±</td><td>-</td></tr> <tr><td>ANGLES</td><td></td><td>± 5</td></tr> </table>		0 PLC	±	-	1 PLC	±	0.3	2 PLC	±	0.2	3 PLC	±	0.1	4 PLC	±	-	ANGLES		± 5	PRODUCT SPEC -	SIZE A2	
0 PLC	±	-																				
1 PLC	±	0.3																				
2 PLC	±	0.2																				
3 PLC	±	0.1																				
4 PLC	±	-																				
ANGLES		± 5																				
MATERIAL SEE TABLE		FINISH SEE TABLE	APPLICATION SPEC -	CAGE CODE 00779																		
		WEIGHT -	DRAWING NO C-2081774	RESTRICTED TO -																		
CUSTOMER DRAWING			SCALE 1:1	SHEET 1 of 1																		
			REV A																			

2081774