



locking device made of metal, for selector switch, 22 mm, short or long handle, Operation in center and to the right possible, not possible to the left

product brand name	SIRIUS ACT
product designation	Locking device
design of the product	for selectors (short/long actuator), window from center to right, blocked on left
product type designation	3SU1
<b>General technical data</b>	
protection class IP	IP66, IP67, IP69(IP69K)
<b>Installation/ mounting/ dimensions</b>	
height	47.5 mm
width	47 mm
depth	21.1 mm
<b>Accessories</b>	
material of accessory	Metal
color of accessory	Silver
<b>Certificates/ approvals</b>	
General Product Approval	Declaration of Conformity



[Miscellaneous](#)

Declaration of Conformity	Test Certificates	Marine / Shipping
---------------------------	-------------------	-------------------

[Miscellaneous](#)

[Type Test Certificates/Test Report](#)



Marine / Shipping	other
-------------------	-------



[Confirmation](#)

## Further information

Information- and Downloadcenter (Catalogs, Brochures,...)

<https://www.siemens.com/ic10>

Industry Mall (Online ordering system)

<https://mall.industry.siemens.com/mall/en/en/Catalog/product?mlfb=3SU1950-0DT80-0AA0>

Cax online generator

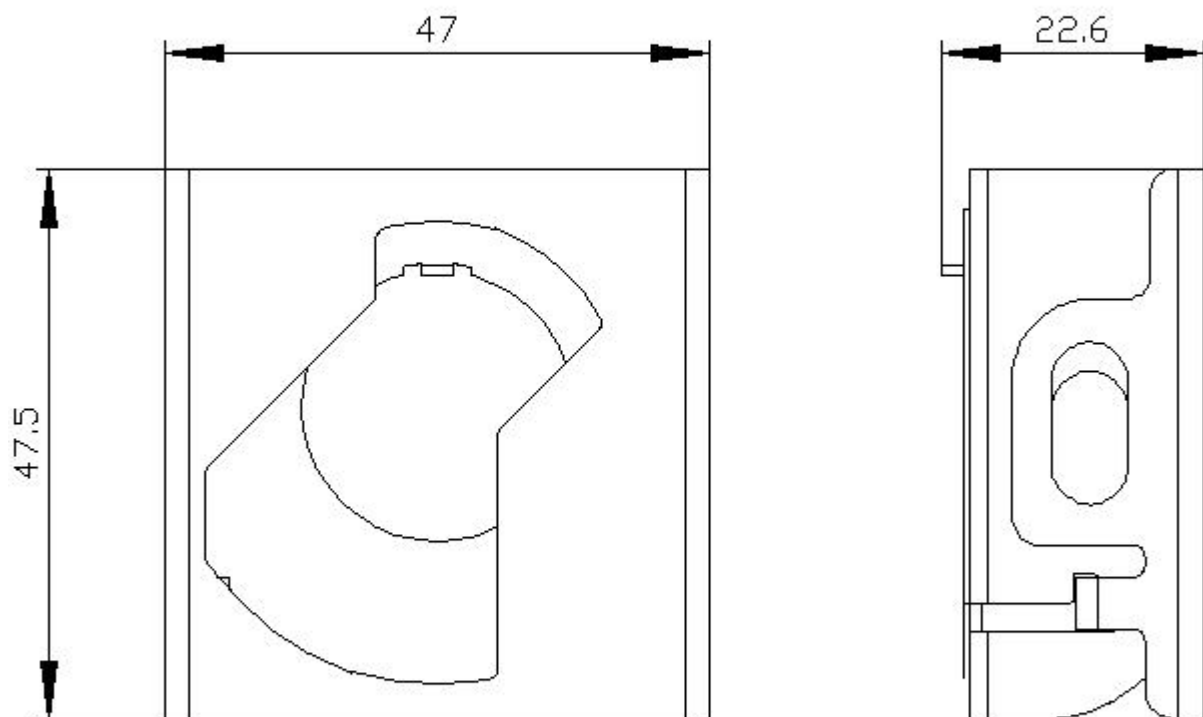
<http://support.automation.siemens.com/WW/CAXorder/default.aspx?lang=en&mlfb=3SU1950-0DT80-0AA0>

Service&Support (Manuals, Certificates, Characteristics, FAQs,...)

<https://support.industry.siemens.com/cs/ww/en/ps/3SU1950-0DT80-0AA0>

Image database (product images, 2D dimension drawings, 3D models, device circuit diagrams, EPLAN macros, ...)

[http://www.automation.siemens.com/bilddb/cax\\_de.aspx?mlfb=3SU1950-0DT80-0AA0&lang=en](http://www.automation.siemens.com/bilddb/cax_de.aspx?mlfb=3SU1950-0DT80-0AA0&lang=en)



last modified:

5/15/2020 