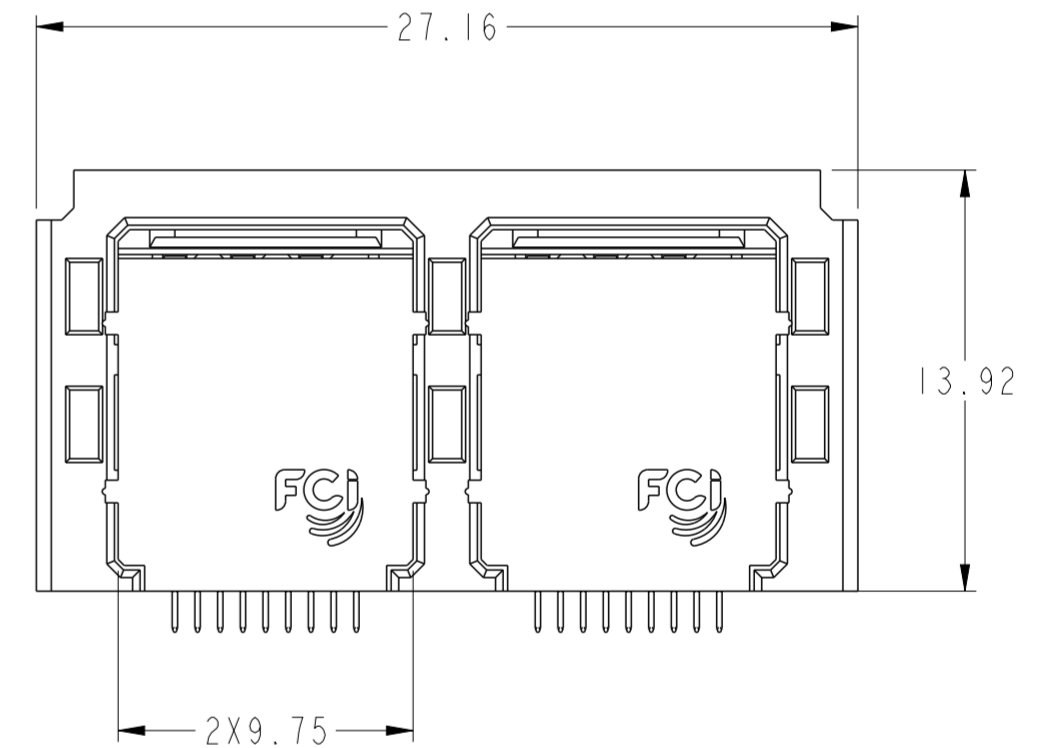
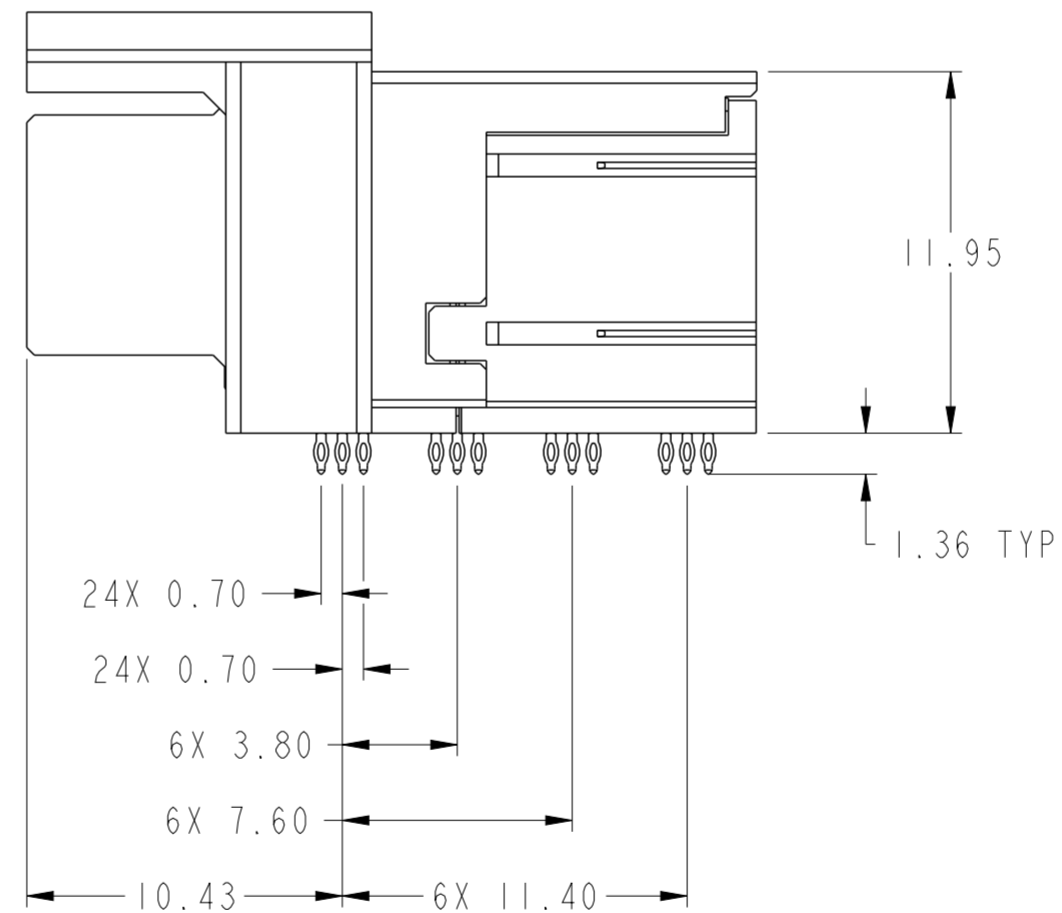
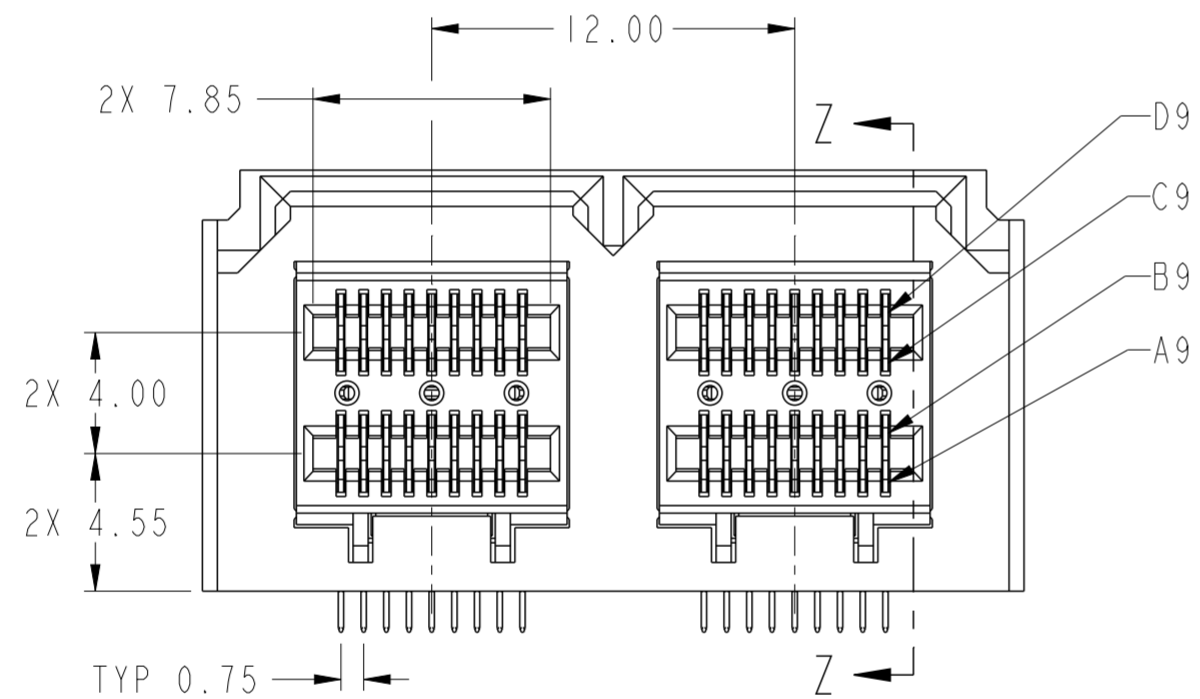
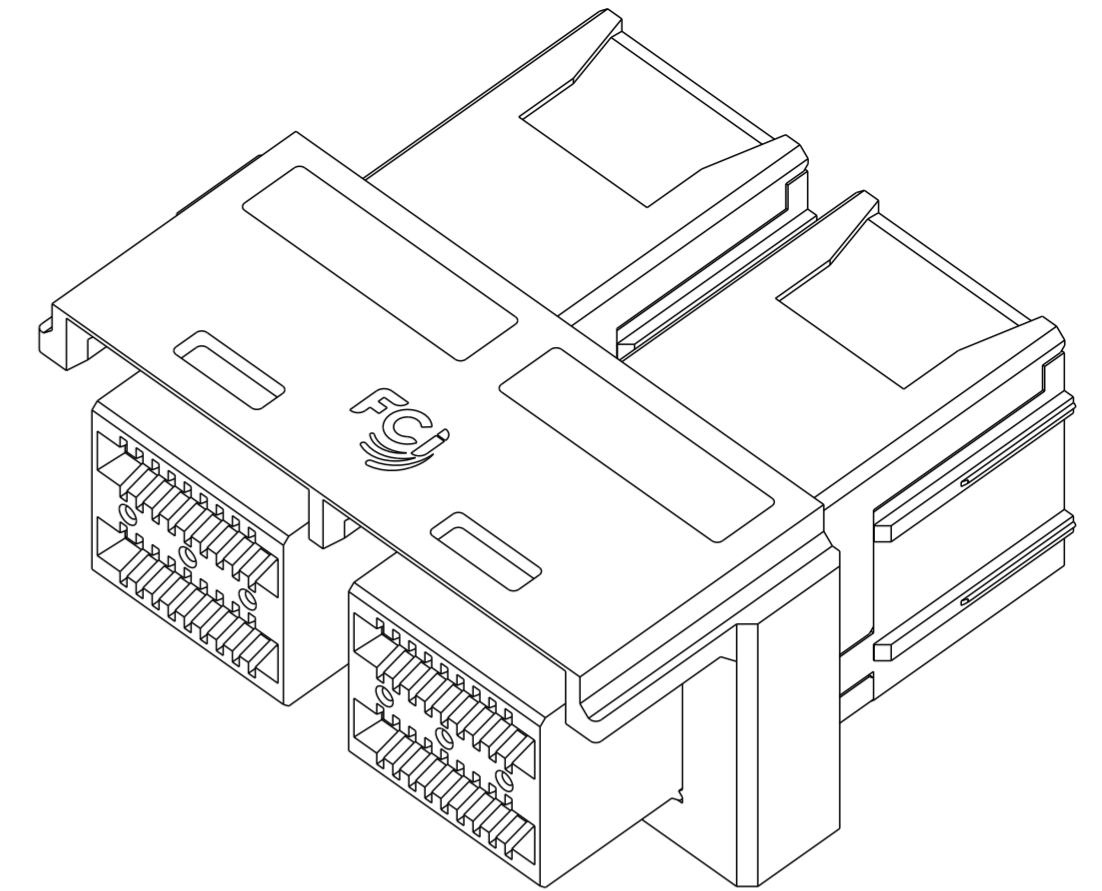
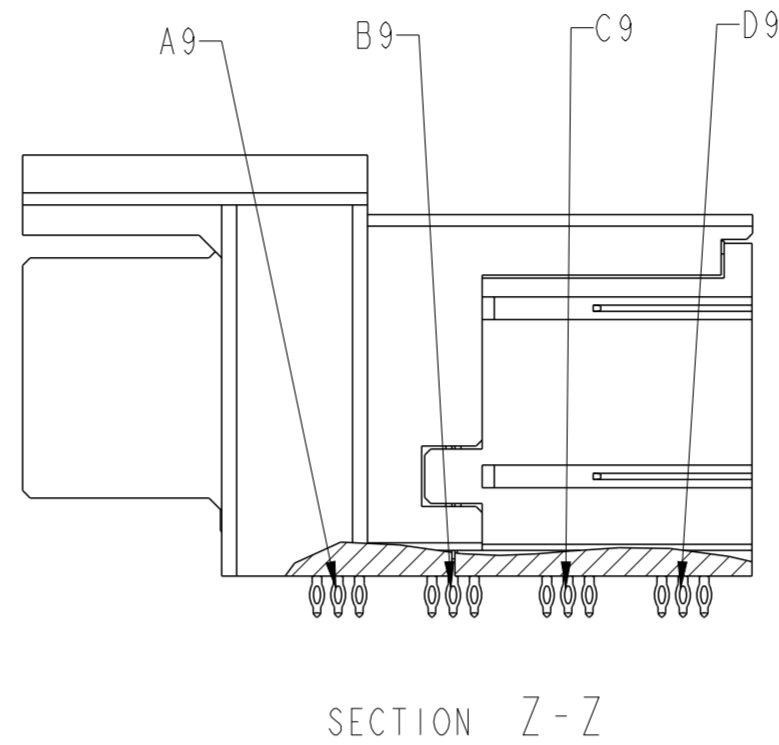
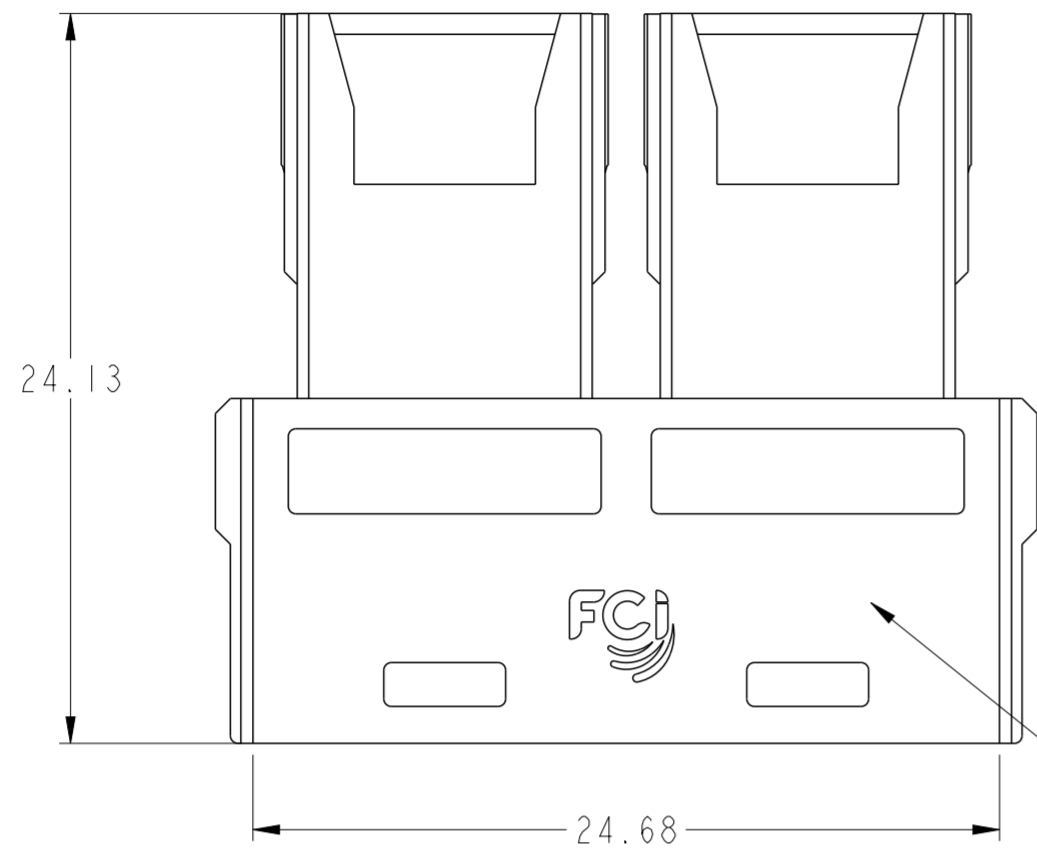


PRODUCT NUMBER	PLATING OPT.	HSG&FRAME COLOR
10112633-101	OPTION 1	BLACK
10112633-101LF	OPTION 2	BLACK
10112633-121	OPTION 1	NATURAL
10112633-121LF	OPTION 2	NATURAL



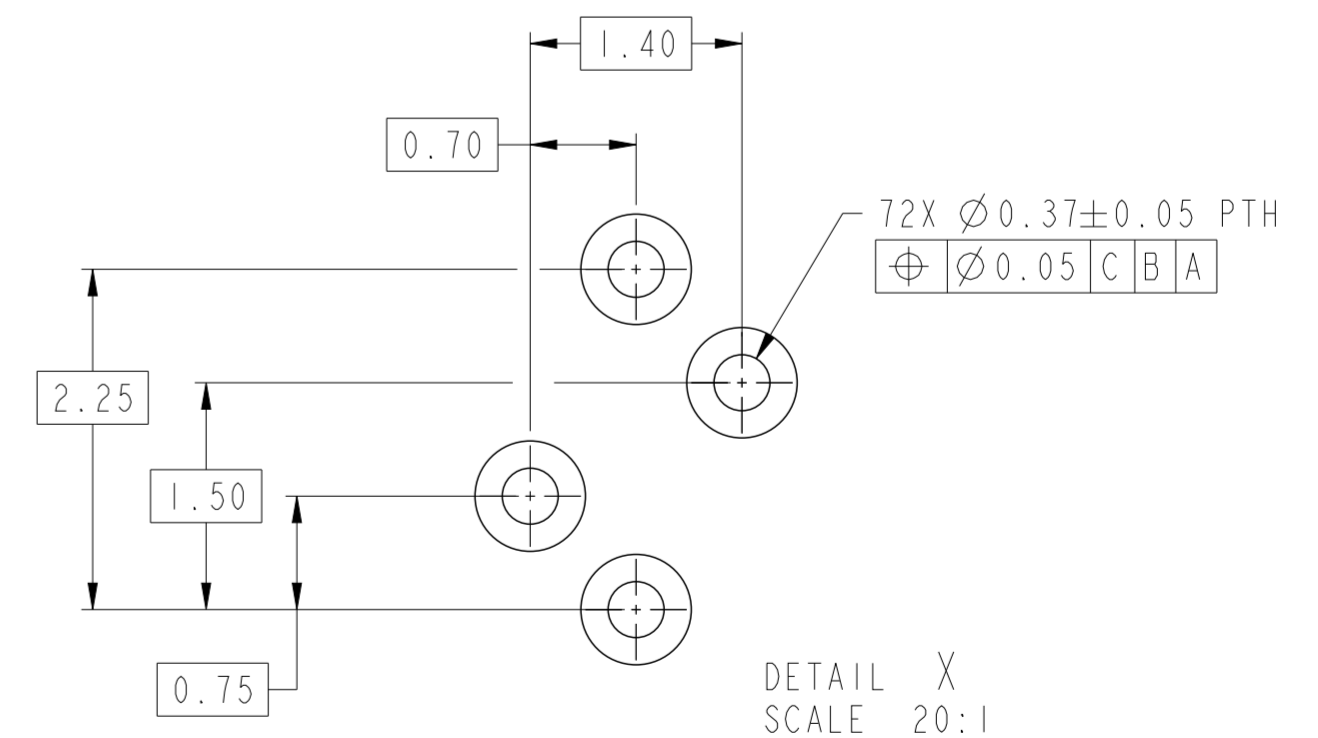
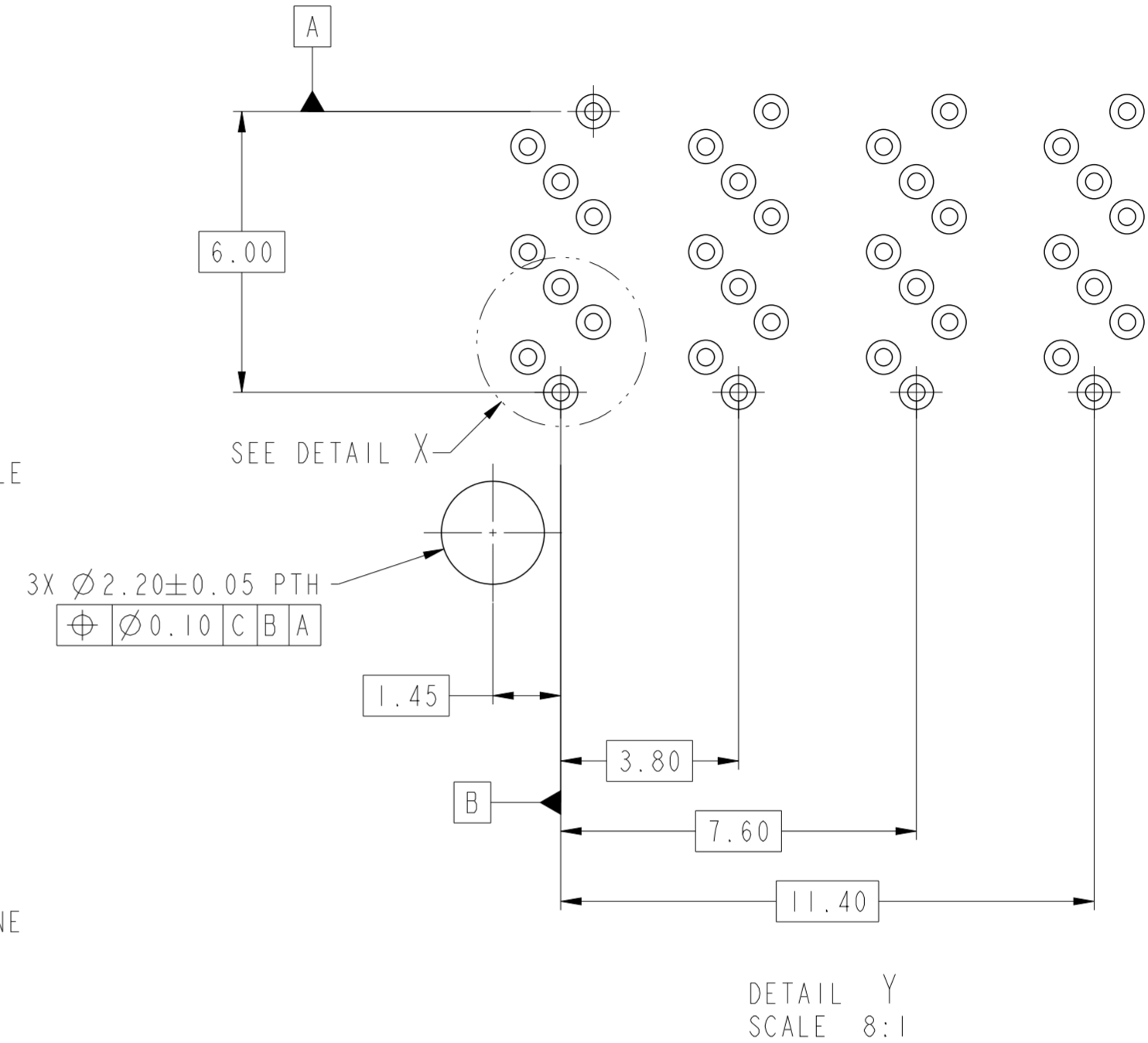
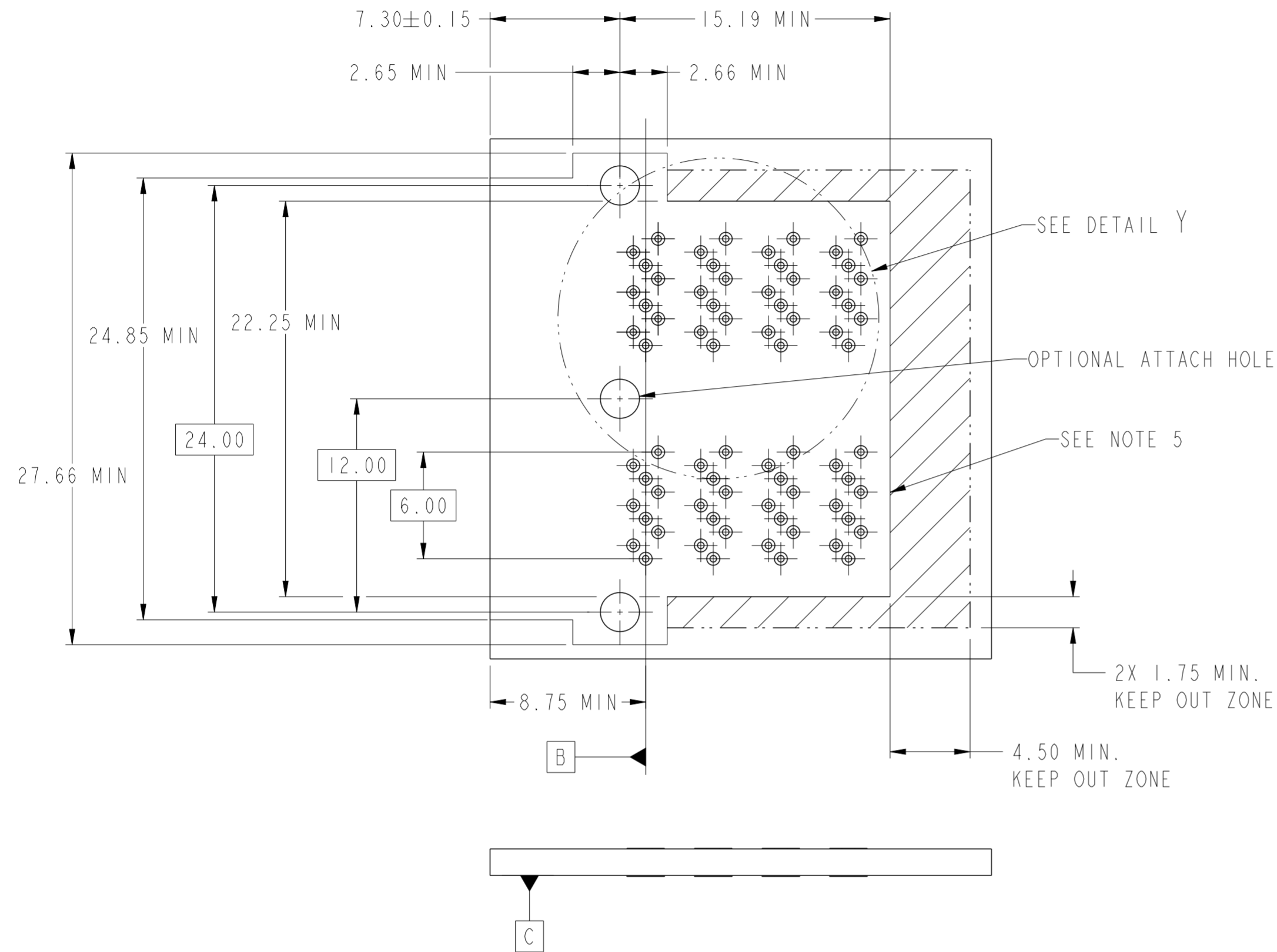
NOTES:

- MATERIALS:  
CONNECTOR HOUSING: HIGH TEMPERATURE THERMOPLASTIC, GLASS FILLED, UL 94V-0  
TERMINALS: COPPER ALLOY
- FINISHES:  
CONTACT AREA: 0.76µm GOLD OVER 2.54µm MIN NICKEL  
TAIL AREA:  
OPTION 1: 0.76µm - 1.52µm TIN/LEAD (90/10) OVER 2.54µm MIN NICKEL.  
OPTION 2: 0.76µm - 1.52µm TIN (LEAD FREE) OVER 2.54µm MIN NICKEL.
- PRODUCT SPECIFICATION: GS-12-650.  
APPLICATION SPECIFICATION: GS-20-0356  
PACKAGING SPECIFICATION: GS-14-1490
- RECOMMENDED MOUNTING HARDWARE:  
OPTION 1: M2 X 0.91mm SELF-THREADING SCREW  
OPTION 2: M2 X 0.80mm SELF-THREADING SCREW  
OPTION 3: M2 X 0.40mm SELF-THREADING SCREW  
RECOMMENDED MOUNTING SCREW LENGTH: PCB THICKNESS + (2.5±0.35)mm
- THIS CONNECTOR IS DESIGNED TO MEET THE REQUIREMENTS OF INDUSTRY SPECIFICATION SFF-8643.
- A  $\triangle$  SYMBOL WILL BE NEXT TO ANY DIMENSION, VIEW, OR NOTE THAT HAS BEEN MODIFIED WITH THE CURRENT DRAWING REVISION.

MATES WITH MINI-SAS HD ENDS IN:
10119217 SERIES (4i)
10119312 SERIES (4i)
10120086 SERIES (4i)
10120087 SERIES (4i)
10119576 SERIES (8i)
10119577 SERIES (8i)
10120088 SERIES (8i)
10120089 SERIES (8i)

spec ref	-	dr	Mark Gray	2010/08/04	projection	MM	size	A2	scale	4:1
tolerance std	ASME Y14.5	eng	Jacklin Zou	2015/12/09			ecn no	ELX-DG-17937-1		
		chr	Zhen Luo	2015/12/22				rel level	Released	
		appr	Pei-Ming Zheng	2015/12/23	product family	MINI-SAS HD	rel level	Released		
surface	✓	linear	0.X	±0.25		<b>IX2 INTERNAL ASSEMBLY</b> MINI-SAS HD	dwg no 10112633	rev C	Product - Customer Drw	
		angular	0°	±1/2°					sheet 1 of 4	

# RECOMMENDED PCB BOARD LAYOUT

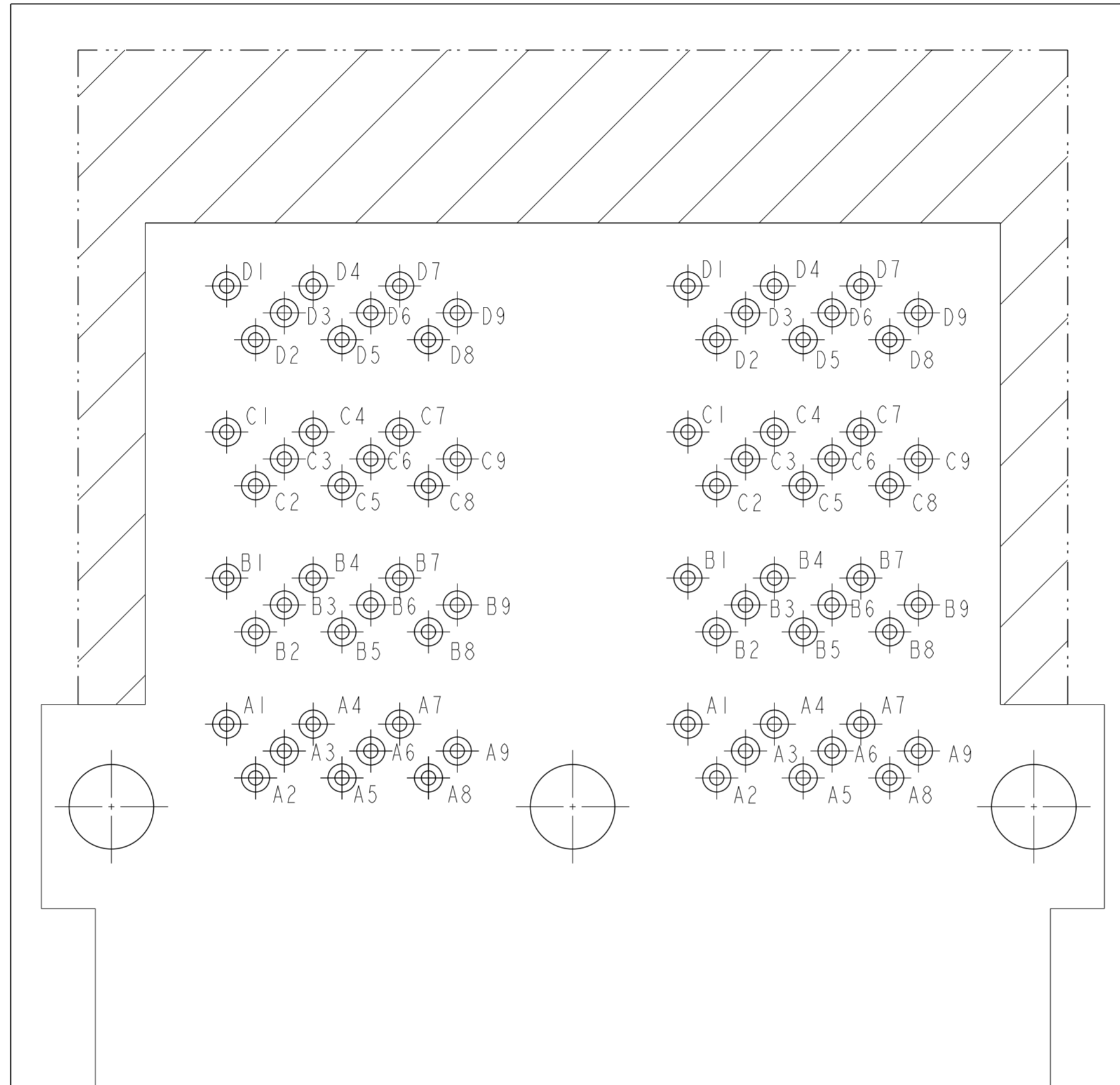


## NOTES:

1. RECOMMENDED DRILL SIZE FOR A Ø0.37 FINISHED PTH IS Ø0.457 (#77 DRILL).
2. RECOMMENDED ANNULAR RING AROUND Ø0.37 FINISHED PTH IS Ø0.73.
3. MINIMUM RECOMMENDED SPACING : 14.00mm.
4. MINIMUM PCB THICKNESS : 1.57mm.
5. CONNECTOR KEEP OUT AREA.

spec ref	-	dr	Mark Gray	2010/08/04	projection	MM	size	A2	scale	2:1	
tolerance std	ASME Y14.5	eng	Jacklin Zou	2015/12/09			ecn no	ELX-DG-17937-1	rel level	Released	
TOLERANCES UNLESS OTHERWISE SPECIFIED		chr	Zhen Luo	2015/12/22							
		appr	Pei-Ming Zheng	2015/12/23							
surface	✓	linear	0.X	±0.25		TITLE IX2 INTERNAL ASSEMBLY MINI-SAS HD	dwg no 10112633	rev C	Product - Customer Drw		
ASME Y14.5	angular	0°	±1/2°	www.fci.com					cat. no.	Product - Customer Drw	sheet 2 of 4

# PIN OUT DESIGNATIONS



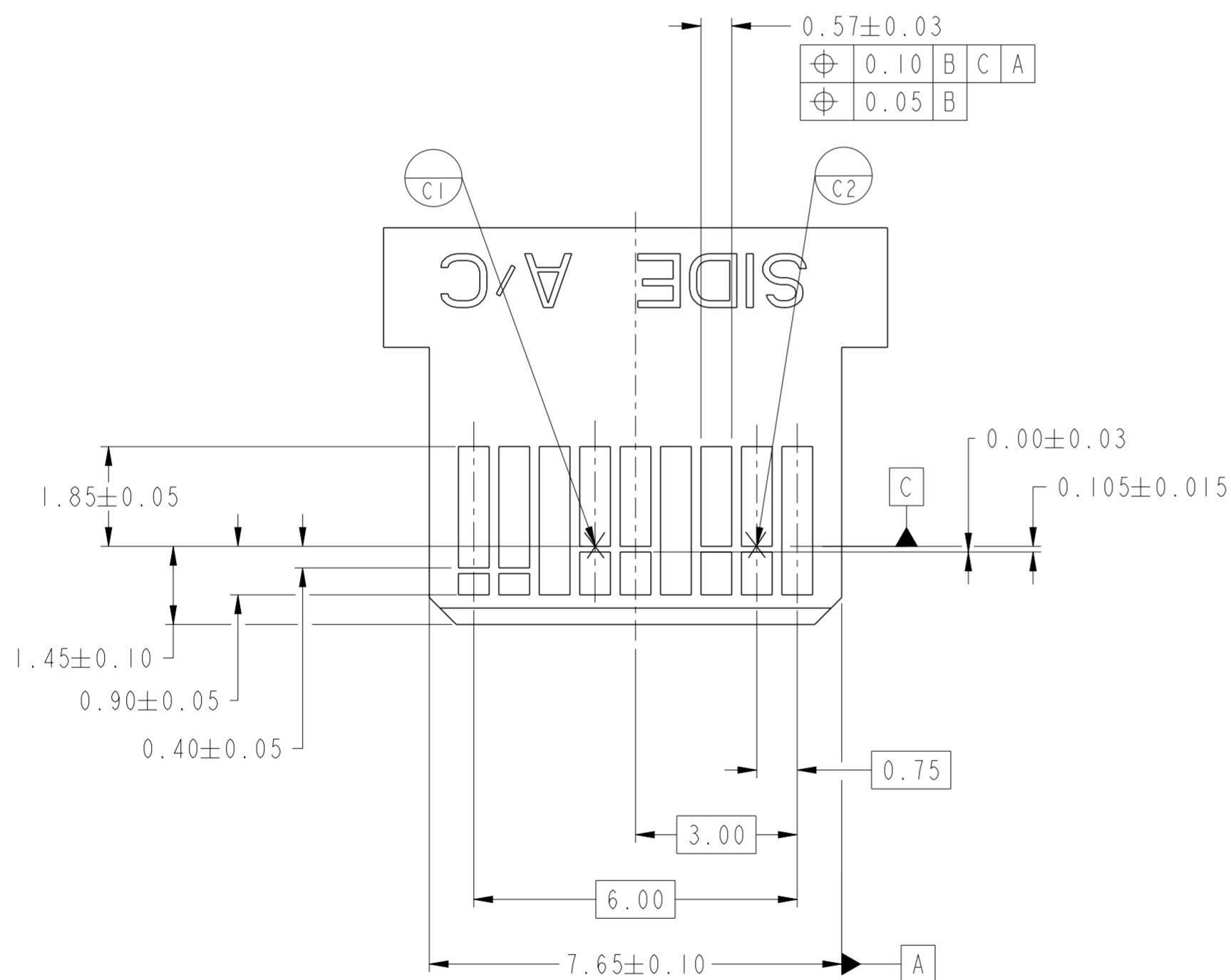
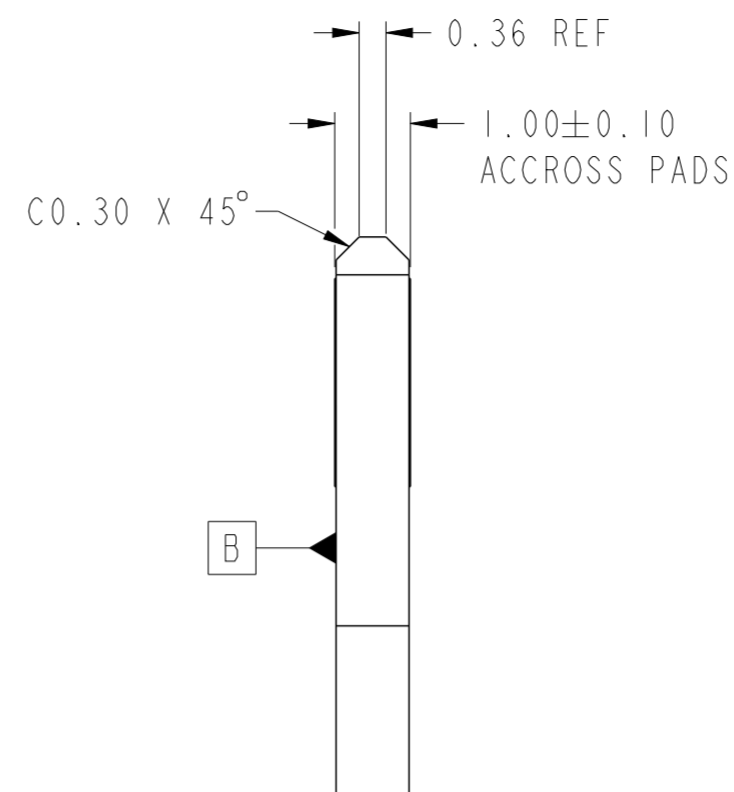
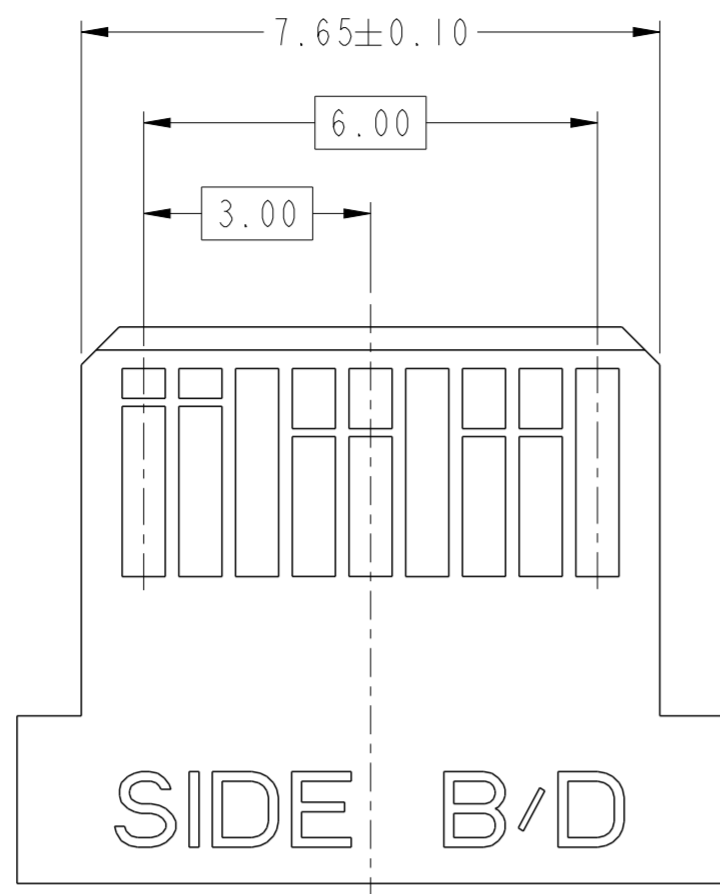
Copyright FCI.

spec ref	-	dr	Mark Gray	2010/08/04	projection	MM	size	A2	scale	2:1																					
tolerance std	ASME Y14.5	eng	Jacklin Zou	2015/12/09			ecn no	ELX-DG-17937-1	rel level	Released																					
TOLERANCES UNLESS OTHERWISE SPECIFIED		chr	Zhen Luo	2015/12/22							product family	MINI-SAS HD																			
surface	<table border="1"> <tr> <td>linear</td> <td>0.X</td> <td>±0.25</td> </tr> <tr> <td></td> <td>0.XX</td> <td>±0.15</td> </tr> <tr> <td></td> <td>0.XXX</td> <td>±</td> </tr> <tr> <td>angular</td> <td>0°</td> <td>±1/2°</td> </tr> </table>	linear	0.X	±0.25		0.XX	±0.15		0.XXX	±	angular	0°	±1/2°	appr	Pei-Ming Zheng	2015/12/23		<table border="1"> <tr> <td>title</td> <td>IX2 INTERNAL ASSEMBLY</td> </tr> <tr> <td></td> <td>MINI-SAS HD</td> </tr> </table>	title	IX2 INTERNAL ASSEMBLY		MINI-SAS HD	<table border="1"> <tr> <td>cat. no.</td> <td></td> </tr> </table>	cat. no.		<table border="1"> <tr> <td>dwg no</td> <td>10112633</td> </tr> </table>	dwg no	10112633	<table border="1"> <tr> <td>rev</td> <td>C</td> </tr> </table>	rev	C
linear	0.X	±0.25																													
	0.XX	±0.15																													
	0.XXX	±																													
angular	0°	±1/2°																													
title	IX2 INTERNAL ASSEMBLY																														
	MINI-SAS HD																														
cat. no.																															
dwg no	10112633																														
rev	C																														
Product - Customer Drw		sheet 3 of 4																													

PDS: Rev : C

STATUS: Released

Printed: Dec 23, 2015



NOTES:

- 0.05 MINIMUM KEEP OUT SOLDER MASK AROUND ALL PADS.
- DATUM C TARGETS ARE DEFINED BY THE RESPECTIVE PAD CENTER LINES AND THE LEADING EDGE OF THE TARGET PADS.

spec ref	-	dr	Mark Gray	2010/08/04	projection	MM	size	A2	scale	2:1	
tolerance std	ASME Y14.5	eng	Jackbin Zou	2015/12/09			ecn no	ELX-DG-17937-1	rel level	Released	
TOLERANCES UNLESS OTHERWISE SPECIFIED		chr	Zhen Luo	2015/12/22							
		appr	Pei-Ming Zheng	2015/12/23							
surface	✓	linear	0.X	±0.25		title IX2 INTERNAL ASSEMBLY MINI-SAS HD	dwg no 10112633	rev C	Product - Customer Drw		
ASME Y14.5	angular	0°	±1/2°	www.fci.com					cat. no.	Product - Customer Drw	sheet 4 of 4

