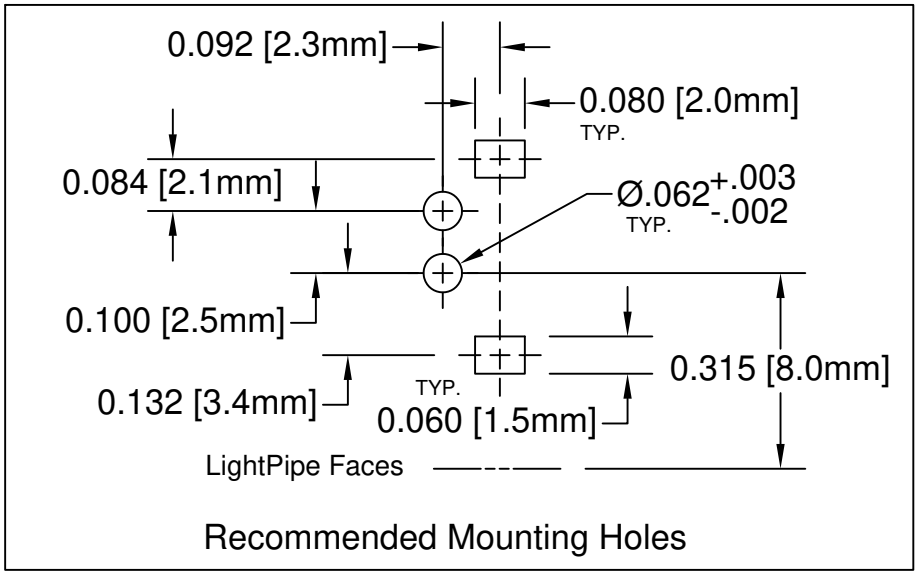
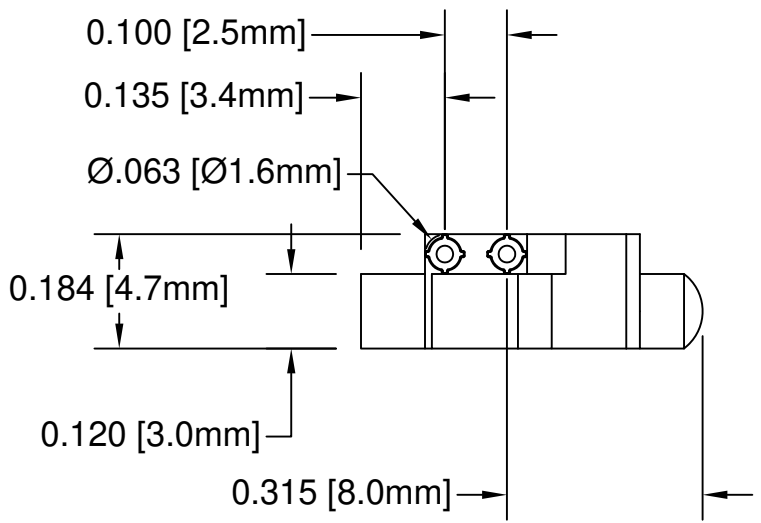
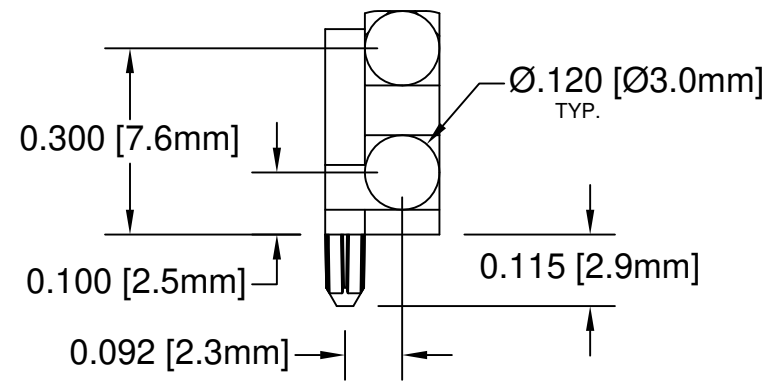
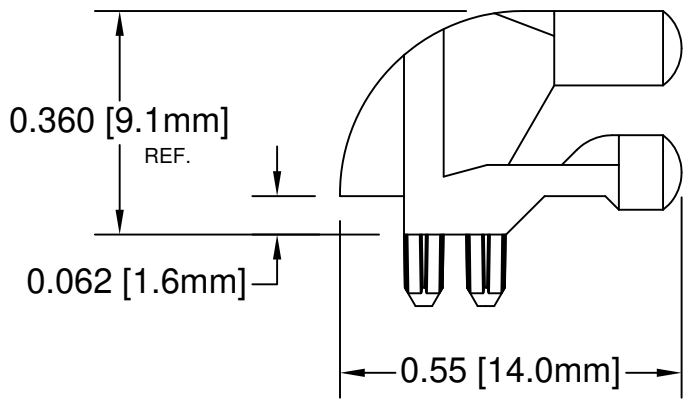

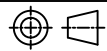


REV.	DESCRIPTION	DATE	APPROVED
B	Engineering Update w/o Changes	03/08/04	M. C.
C	Added Color Options, Sheet #2.	02/02/16	J. C.



- 2. MATERIAL: POLYCARBONATE 94V-0 CLEAR.
- 1. GENERAL SPECIFICATIONS: BIVAR MOLDED COMPONENT SPECIFICATION BV00-E101.

STANDARD TOLERANCE (UNLESS OTHERWISE SPECIFIED)		 4 THOMAS, IRVINE, CA. 92618 TEL: (949) 951-8808 FAX: (949) 951-3974		
DECIMALS	ANGULAR			
.X ± .1	X° ± 1°		TITLE: LIGHT PIPE, 2 HIGH, RIGHT ANGLE	
.XX ± .01				PART NO: LP-230
.XXX ± .005				
DESIGNED: Michael Chen	DATE: 10/09/01	CAGE CODE : 32559	SHEET # 1 OF 2	
CHECKED: S. Irving	DATE: 10/09/01	CAD GENERATED DOCUMENT. DO NOT MEASURE DRAWING.		

OTHER AVAILABLE COLORS

* SEE TABLE FOR ORDERING INFORMATION

REV.	DESCRIPTION	DATE	APPROVED
	SEE SHEET #1		



LP-230

RIGID LIGHT PIPE
SERIES

COLOR	Order Code
BLUE	BE
BLACK	BK
GREEN	GN
GRAY	GY
RED	RD
YELLOW	YW

NOTE: LEAVE ORDER CODE BLANK
IF NO COLOR IS DESIRED.

3. PARTS ARE DYED TO COLOR UPON REQUEST.

STANDARD TOLERANCE (UNLESS OTHERWISE SPECIFIED) DECIMALS ANGULAR		 4 THOMAS, IRVINE, CA. 92618 TEL: (949) 951-8808 FAX: (949) 951-3974	
			
DESIGNED: K. Aukshunas	DATE: 01/22/16	TITLE: LIGHT PIPE, 2 HIGH, RIGHT ANGLE	
CHECKED: J. Chiang	DATE: 01/22/16	PART NO: LP-230	REVISION: C
		CAGE CODE : 32559	SHEET # 2 OF 2
CAD GENERATED DOCUMENT. DO NOT MEASURE DRAWING.			