

Device connector, front mounting with knurled nut - SM-5ES1N8AYW00 - 1607532

Please be informed that the data shown in this PDF Document is generated from our Online Catalog. Please find the complete data in the user's documentation. Our General Terms of Use for Downloads are valid (<http://download.phoenixcontact.com>)



Device connector, front mounting with knurled nut, angled fixed, Screw locking, M40, Number of positions: 2+3+PE, Type of contact: Socket, Crimp connection, Axial O-ring, 4x Ø4,2, Shielded: Yes, Flange dimensions: 40 mm x 40 mm

The figure shows the 8-pos. (4+3+PE) product version



Key commercial data

| | |
|--------------------------------------|------------|
| Packing unit | 1 PCE |
| Weight per Piece (excluding packing) | 288.35 GRM |
| Custom tariff number | 85366990 |
| Country of origin | Germany |

Technical data

General

| | |
|--------------------------------------------|----------------------------------------------------------------------------|
| Note | Order information Order crimp contacts 2 x Ø 2 mm, 4 x Ø 3.6 mm separately |
| Type of locking | Screw locking |
| Coding | N |
| Contact connection method | Crimp connection |
| Type of contacts | Socket |
| Contact diameter of power contacts | 3.6 mm |
| Nominal current per power contact at 25°C | 70 A |
| Contact diameter of signal contacts | 2 mm |
| Nominal current per signal contact at 25°C | 30 A |
| Mounting type | 4x Ø4,2 |

Ambient conditions

| | |
|---------------------|-------------------|
| Ambient temperature | -20 °C ... 125 °C |
|---------------------|-------------------|

Device connector, front mounting with knurled nut - SM-5ES1N8AYW00 - 1607532

Technical data

Ambient conditions

| | |
|----------------------|------|
| Degree of protection | IP67 |
|----------------------|------|

Material

| | |
|----------------------------|----------------------------------------------------------------------|
| Housing material | Turned parts: copper zinc alloy (CuZn), die-cast parts: zinc (GD-Zn) |
| Insulator material | PA 66 |
| Gasket and O-ring material | FPM |

Specifications according to DIN EN 61984:2001

| | |
|------------------------------------------------|--------|
| Installation height max. | 3000 m |
| Nominal / operating voltage of power contacts | 630 V |
| Rated surge voltage of power contacts | 6 kV |
| Surge voltage category of power contacts | III |
| Pollution degree of power contacts | 3 |
| Nominal / operating voltage of signal contacts | 250 V |
| Rated surge voltage of signal contacts | 4 kV |
| Surge voltage category of signal contacts | III |
| Pollution degree of signal contacts | 3 |

Classifications

eCl@ss

| | |
|------------|----------|
| eCl@ss 4.0 | 272607xx |
| eCl@ss 4.1 | 27260701 |
| eCl@ss 5.0 | 27260701 |
| eCl@ss 5.1 | 27260701 |
| eCl@ss 6.0 | 27260708 |
| eCl@ss 7.0 | 27440312 |
| eCl@ss 8.0 | 27440312 |

ETIM

| | |
|----------|----------|
| ETIM 3.0 | EC001121 |
| ETIM 4.0 | EC001121 |
| ETIM 5.0 | EC002635 |

UNSPSC

| | |
|---------------|----------|
| UNSPSC 6.01 | 43172015 |
| UNSPSC 7.0901 | 43201404 |

Device connector, front mounting with knurled nut - SM-5ES1N8AYW00 - 1607532

Classifications

UNSPSC

| | |
|--------------|----------|
| UNSPSC 11 | 43172015 |
| UNSPSC 12.01 | 43201404 |
| UNSPSC 13.2 | 43201404 |

Accessories

Accessories

Crimp contact

Crimp contact - SM-36KS001 - 1605756



Crimp contact, turned, Single contact, Contact diameter: 3.6 mm, Crimp range: 1 mm²...2.5 mm²

Crimp contact - SM-36KS002 - 1605758



Crimp contact, turned, Single contact, Contact diameter: 3.6 mm, Crimp range: 2.5 mm²...4 mm²

Crimp contact - SM-36KS003 - 1605760



Crimp contact, turned, Single contact, Contact diameter: 3.6 mm, Crimp range: 4 mm²...6 mm²

Crimp contact - SM-36KS004 - 1605762



Crimp contact, turned, Single contact, Contact diameter: 3.6 mm, Crimp range: 6 mm²...10 mm²

Device connector, front mounting with knurled nut - SM-5ES1N8AYW00 - 1607532

Accessories

Crimp contact - SF-7PS2000 - 1605636



Crimp contact, turned, Single contact, Contact diameter: 2 mm, Crimp range: 0.25 mm²...1 mm²

Crimp contact - SF-7NS2000 - 1605631



Crimp contact, turned, Single contact, Contact diameter: 2 mm, Crimp range: 0.75 mm²...1.5 mm²

Crimp contact - SF-7QS2000 - 1605643



Crimp contact, turned, Single contact, Contact diameter: 2 mm, Crimp range: 1 mm²...2.5 mm²

Crimp contact - SF-7MS2000 - 1605628



Crimp contact, turned, Single contact, Contact diameter: 2 mm, Crimp range: 4 mm²...4 mm²

Mounting material

Device connector, front mounting with knurled nut - SM-5ES1N8AYW00 - 1607532

Accessories

Color-coding - SM-Z0028 - 1620627



Color-coding, Color: green

Color-coding - SM-Z0029 - 1620628



Color-coding, Color: orange

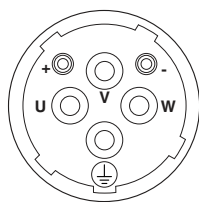
Color-coding - SM-Z0030 - 1620629



Color-coding, Color: black

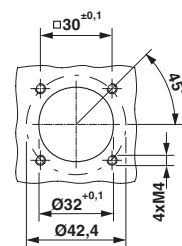
Drawings

Schematic diagram



Connector pin assignment

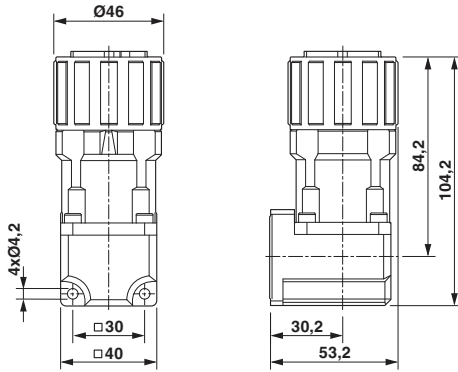
Dimensioned drawing



Installation dimensions

Device connector, front mounting with knurled nut - SM-5ES1N8AYW00 - 1607532

Dimensioned drawing



Dimensional drawing

Diagram

