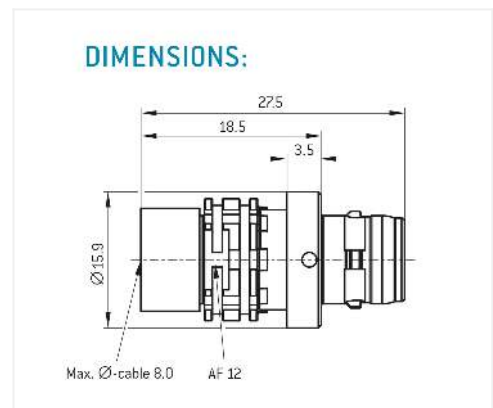
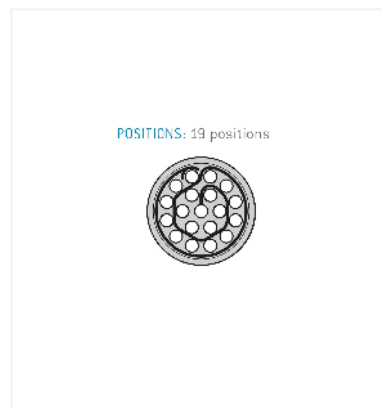
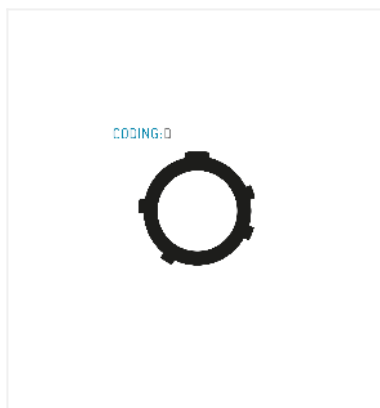


**General information**

<b>Part number</b>	A1AYDR-P19WDD0-R000
<b>Termination</b>	solder
<b>Size</b>	1,5
<b>Locking principle</b>	break
<b>Coding</b>	d_key_amc
<b>Cable Diameter</b>	cable_amc_A
<b>Cable outlet</b>	overmolding



**Contact insert description**

<b>Number of contacts</b>	19
<b>Contact type</b>	flat_contact
<b>Contact diameter</b>	06mm
<b>Insulator material</b>	peek
<b>Wire cross section</b>	26_awg
<b>Termination</b>	solder
<b>Termination diameter</b>	065mm

reverse\_gender\_on\_request

**Technical information**

<b>Nominal current single contact</b>	02_a	iec_60512_5_2
<b>Nominal current insert</b>	0,9 A	vde_0298_4
<b>Test voltage</b>	06_kv_ac	eia_364_20f

safety\_text

## Mechanical and environmental data

Degree of protection*	ipsk8_ip6k9k
-----------------------	--------------

Operating temperature	51_125_c
-----------------------	----------

Mating cycles	5000
---------------	------

mated

## Material and surface treatments

Housing	ruthenium
---------	-----------

Contact	cu_alloy_gold
---------	---------------

safety\_text\_2

ul\_text

illustrative\_text