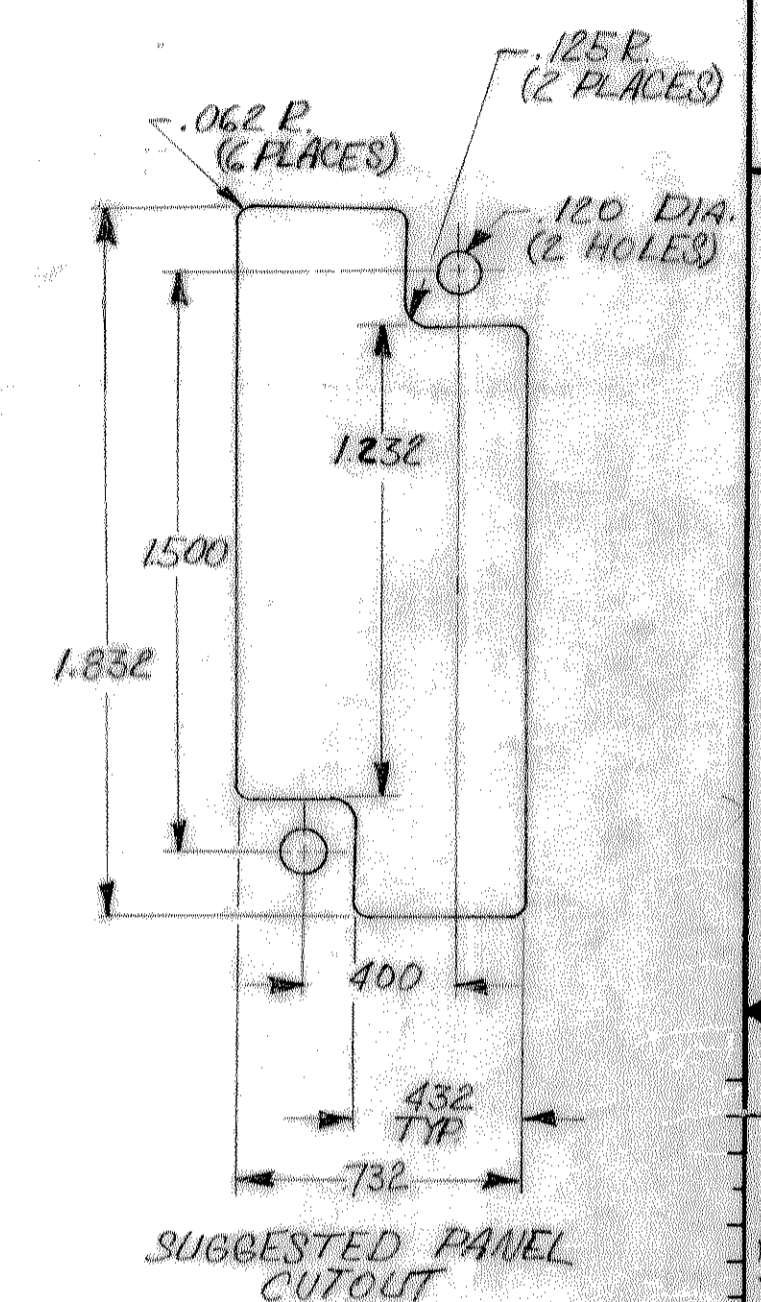
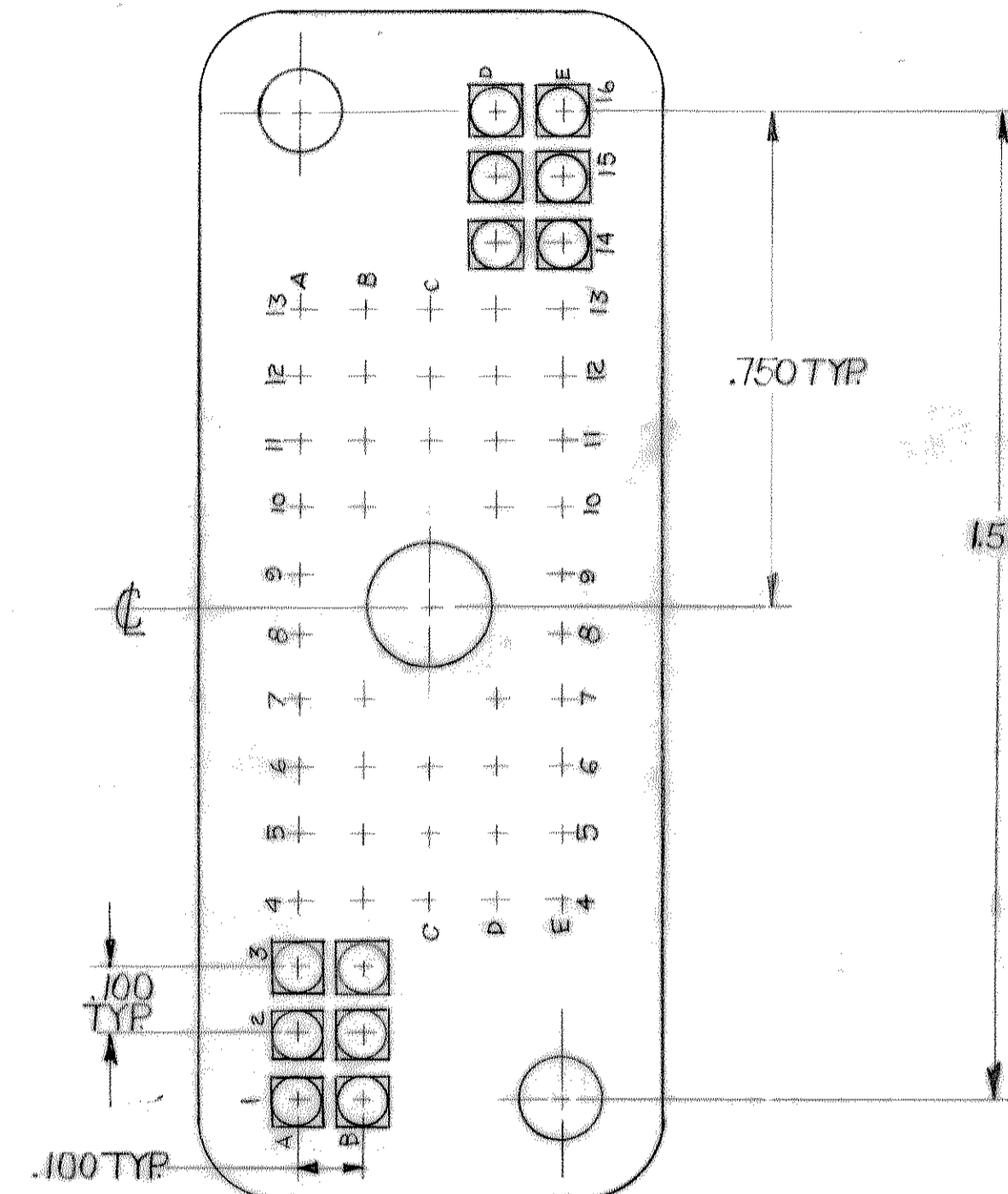
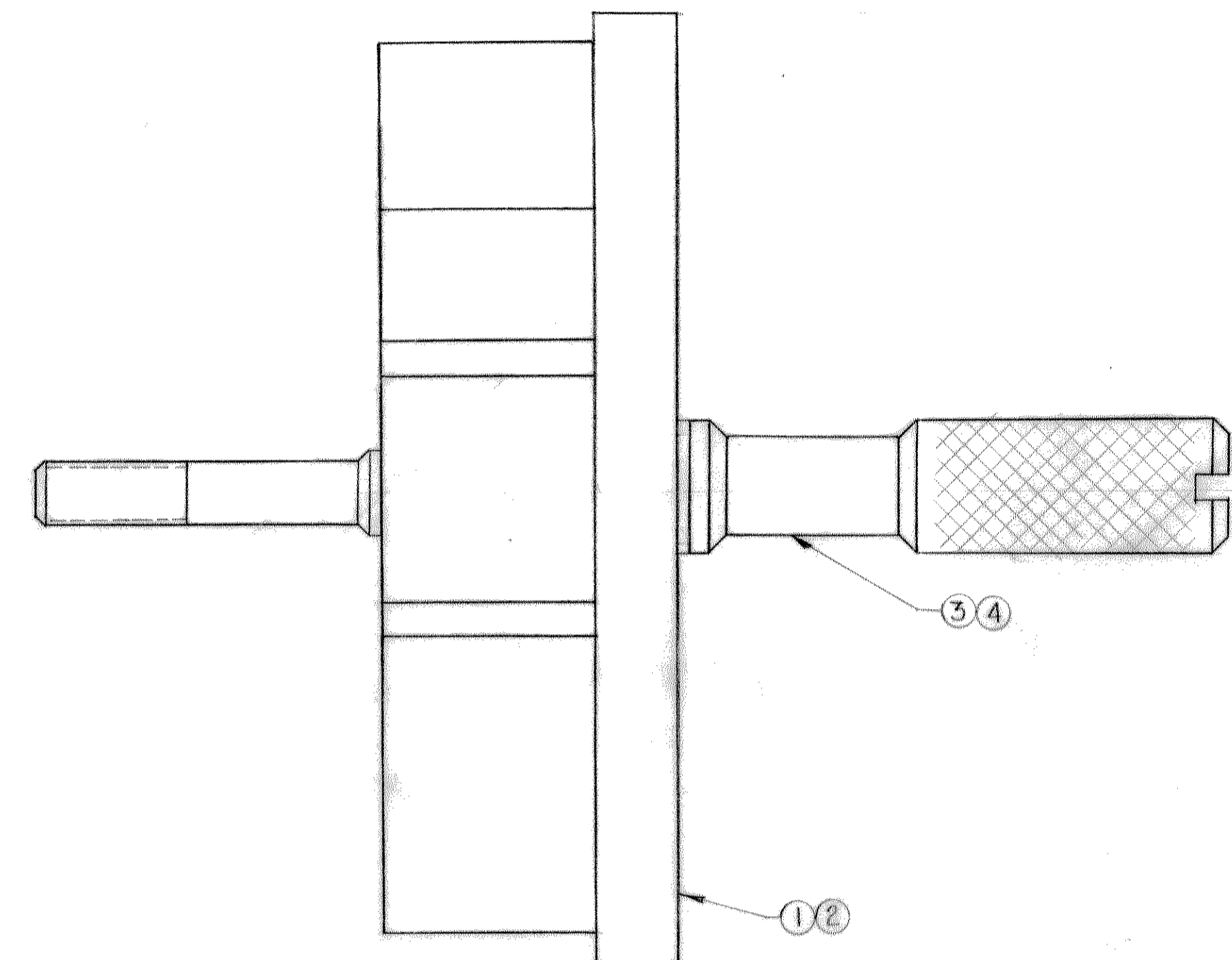


© 1969 BY AMP INCORPORATED. ALL RIGHTS RESERVED. AMP PRODUCTS COVERED BY PATENTS AND/OR PATENTS PENDING.



REVISIONS				
ZONE	LTR	DESCRIPTION	DATE	APPROVED
	A	REVISED PER ECN A-348	2-16-70	CR/YS
	B	OBS -4 PER ECN DF-0364-3 ECN DF-0977	10-10-68	JAM
	C	REACTIVATE -4 PER DF-2586	T.W.	JAM
	D	REV PER 0030-276-01	CT	8-22-67

QTY	ITEM NO	SIZE	NAME	DESCRIPTION	ITEM NO		
1	1	A	203800-1	JACKSCREW ASS'Y	SHORT-MALE	4	
1	1	A	703800-2	JACKSCREW ASS'Y	LONG-MALE	3	
1	1	B	203804-2	BLOCK	DIALYL PHTHALATE-BLUE	2	
1	1	B	203804-1	BLOCK	PHENOLIC-BLACK	1	
4	3	2	1	NUMBER	NAME	DESCRIPTION	ITEM NO

UNLESS OTHERWISE SPECIFIED  
DIMENSIONS ARE IN INCHES  
TOLERANCES ON:  
DECIMALS ± .005 ANGLES ± #

CONTRACT NO. \_\_\_\_\_

DR *R. Matthews* 10-17-69

CHK *D. Miller* 11-6-69

APPD *A. Jones* 11-7-69

REL *R. Jones* 11-7-69

DSGN APPD \_\_\_\_\_

OTHER APPD \_\_\_\_\_

**AMP** AMP INCORPORATED  
HARRISBURG, PENNSYLVANIA

NAME 54 POSITION, "HDR," PLUG ASSEMBLY WITH MALE JACKSCREW

SIZE CODE IDENT NO. NUMBER  
C 00779 204747

SCALE 1/1 SHEET 1 OF 1

PRINT DIST C 100

NUMBER 204747