

1

2

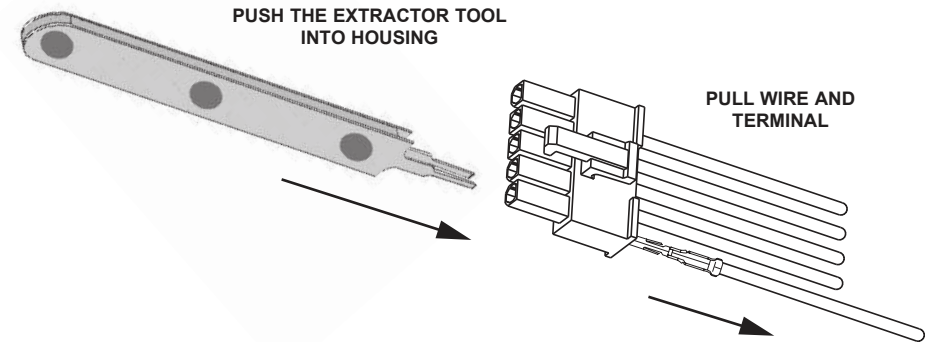
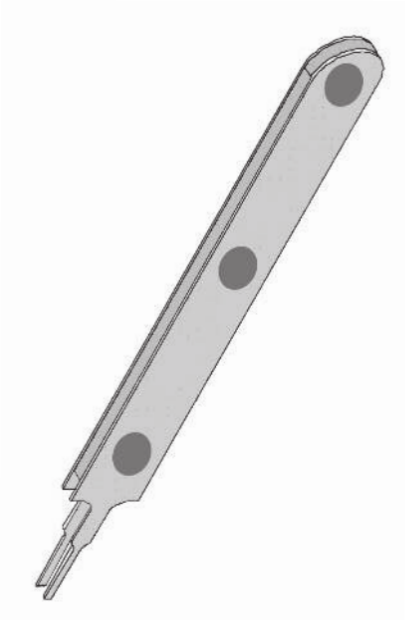
3

4

5

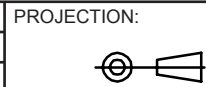
**OPERATION**

- 1 - INSERT THE EXTRACTOR TOOL INTO THE HOUSING.
- 2 - USE THE SLOTS LOCATED ON THE INSIDE OF THE HOUSING TO GUIDE THE EXTRACTION TOOL BLADES INTO THE HOUSING UNTIL CONTACT IS MADE WITH TERMINAL.
- 3 - CONTINUE TO INSERT THE TOOL ALWAYS CHECKING TO SEE THAT BLADES OF EXTRACTION TOOL ARE ON THE OUTSIDE OF THE CONTACT.
- 4 - CONTINUE TO INSERT EXTRACTION TOOL INTO HOUSING UNTIL THE LOCKING TANGS HAVE SNAPPED OUT THEIR LOCKED POSITION, IF THE TERMINAL LOCKING TABS ARE STILL NOT TOTALLY DEPRESSED, HOLD ON TIGHT TO THE WIRE AND PUSH IT TOWARDS THE EXTRACTOR TOOL, THIS WILL COMPLETELY DEPRESS THE LOCKING TABS.
- 5 - GENTLY PULL THE TERMINAL BY THE WIRE, OUT FROM THE HOUSING.



**NOTE: WHEN A TERMINAL IS REMOVED IN THIS MANNER THE LOCKING TANGS ARE DAMAGED AND THE TERMINAL IS NOT REUSABLE.**

RoHS Compliant			
G			
F			
E			
D			
C			
B	05-NOV-10	PART NUMBER	GG
A	10-APR-07	PDF	JP
REV	DATE	FILE	BY



GENERAL TOLERANCE  
.X = +/- 0.2  
.XX = +/- 0.15



APPROVAL: RJ

UNIT: MM

DESCRIPTION: MPC4 EXTRACTION TOOLING

SCALE:

WERI PART NO: 600649

SHEET: 2/2

DRAW: PEARL

SIZE

**A4**