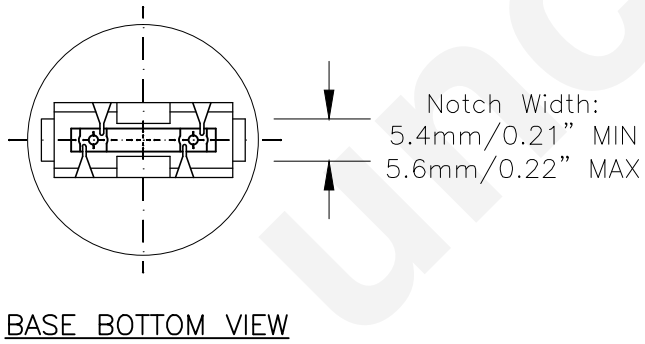
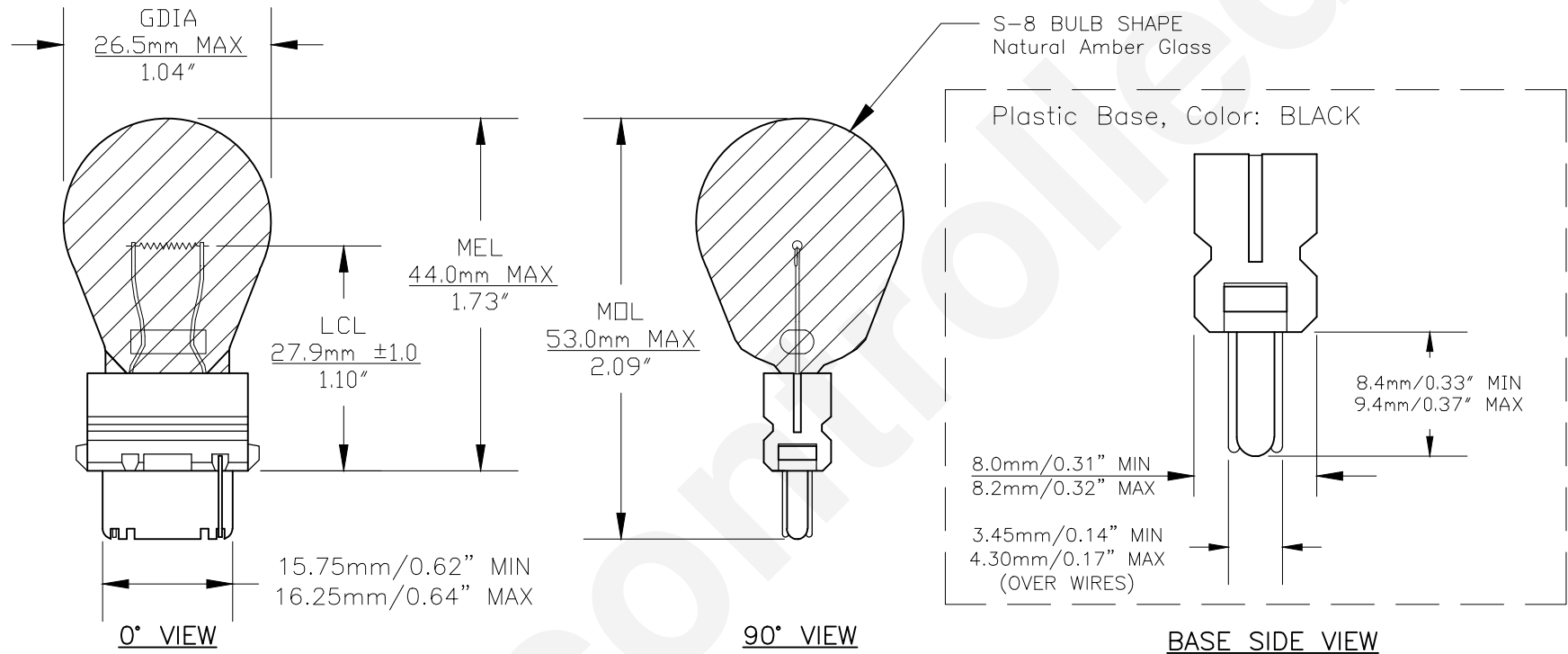




PART NO.	BASE TYPE	DESIGN VOLTS	DESIGN AMPS	MSCD	FILAMENT TYPE	AVERAGE LIFE HOURS
3156NA	S.F. Plastic Wedge W2.5X16d	12.8V	2.10±5%	24±30%	C-6	1200

REVISIONS			
REV #	DESCRIPTION	DATE	APPROVED
1	REDRAWN	03/22/2007	D.C.



Note: Made according to SAE specifications



UNLESS OTHERWISE SPECIFIED: DIMENSIONS ARE IN INCHES TOLERANCES		CEC INDUSTRIES LTD	
DECIMALS	ANGULAR	599 BOND STREET LINCOLNSHIRE, IL 60069	
.XX ± .05	± 0.5°	TITLE LIGHT BULB NO. 3156NA	
.XXX ± .010		SIZE A	REV 1
FRACTIONAL	±1/64	FSCM NO.	DWG NO. 3156NA
DRAWN ELIZABETH SONANES	DATE 04/16/2001	SCALE	SHEET 1 OF 1
CHECKED		PLOT SCALE	
DESIGN		FILE 3156NA.pdf	DRAWING NOT TO SCALE
MATERIAL			