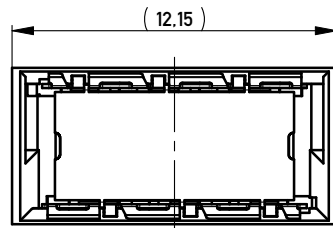
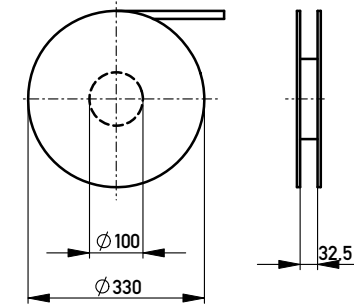
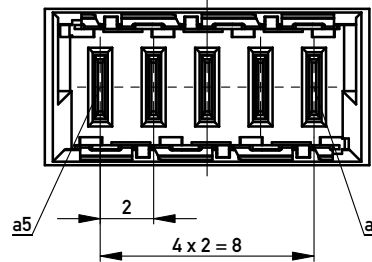


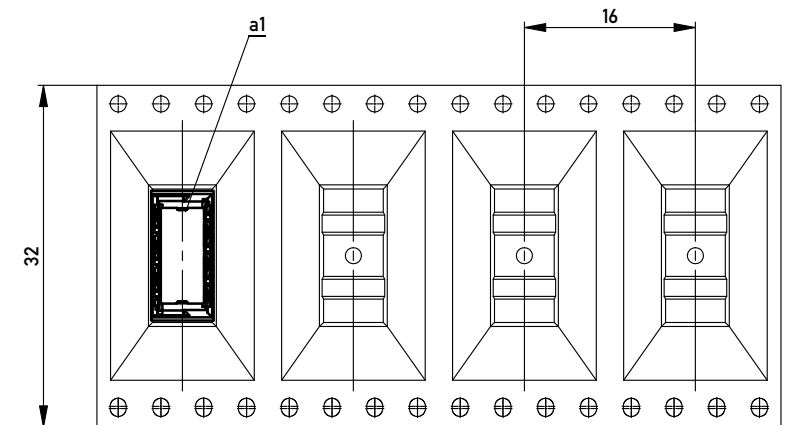
Verpackt in Gurtverpackung - *Tape on Reel Packaging*
 Verpackungseinheit: 420 Stück - *Packaging unit: 420 pcs*



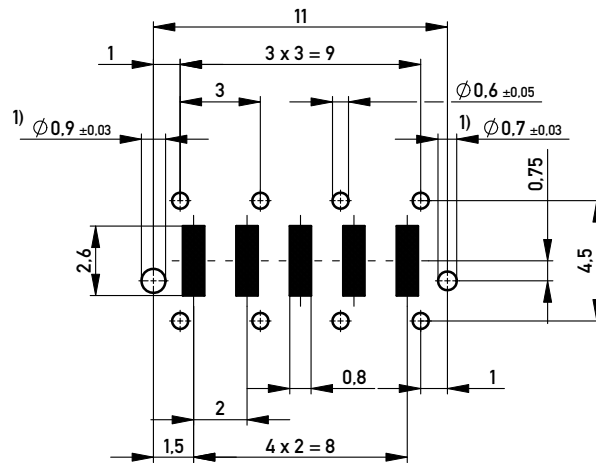
ohne Ansaughaube
without hood



Abspulrichtung - *Reel off Direction* →



Leiterplatten-Layout Vorschlag / *PCB-layout proposal*



Anforderungsstufe 1
Performance Level 1

Kontaktbereich vergoldet
Mating Area gold plating

Anschlussbereich verzinkt 4-6µm
Terminal Area 4-6µm tin plating

Koplanarität der Anschlüsse ≤ 0.1mm
Coplanarity Area of Termination ≤ 0.1mm

1) Durchmesser des Bohrers / *Drill tool*

Information:		Tolerances		Scale	5:1
All rights reserved. Only for Information. To ensure that this is the latest version of this drawing, please contact one of the ERNI companies before using.		All Dimensions in mm		Designation	
Subject to modification without prior notice. Drawing will not be updated.				Messerteile THR, Powerm. 1mm Male Con. THR, Powerm. 1mm	
www.ERNI.com		214916		I	
Class		MSPEED		A3	
i	13.08.2010				
Index	Date				

Copyright by ERNI GmbH. Proprietary notice pursuant to ISO 16016 to be observed.