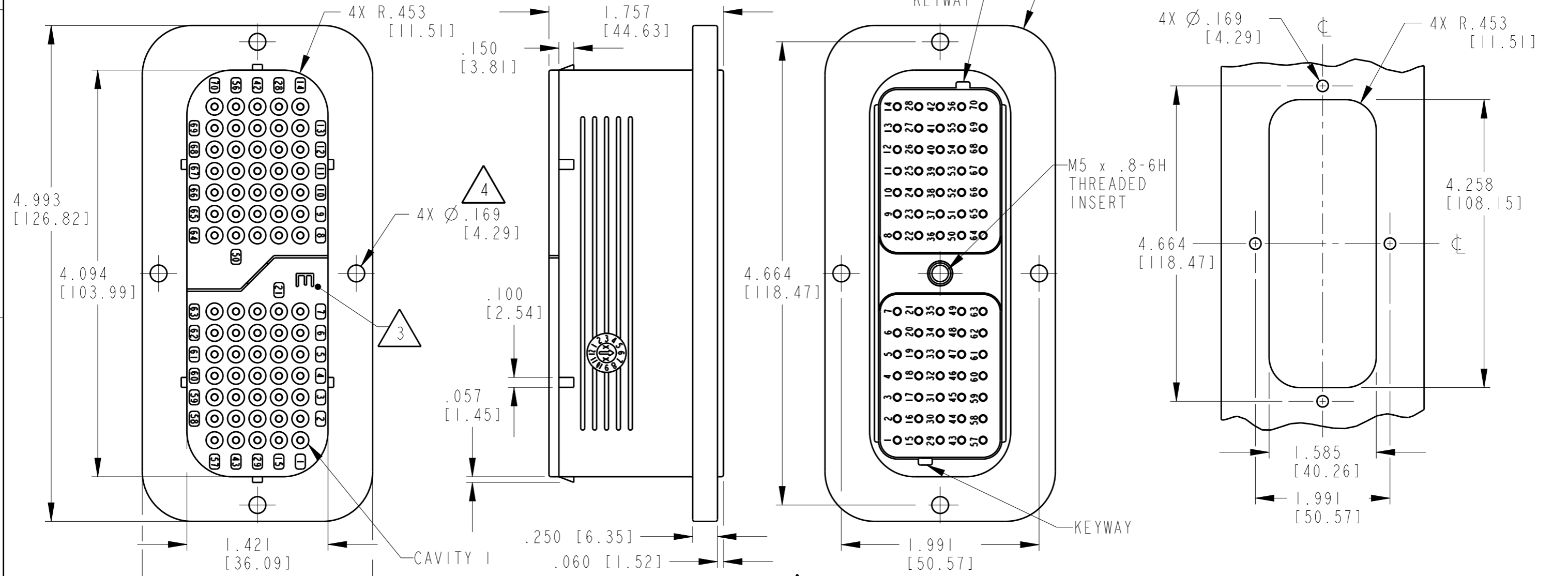


THIS DRAWING IS UNPUBLISHED  
 RELEASED FOR PUBLICATION 2017  
 © COPYRIGHT 2017 BY - TE CONNECTIVITY ALL RIGHTS RESERVED.

LOC	DIST	REVISIONS			
P	LTR	DESCRIPTION	DATE	DWN	APVD
	E	REVISE PER ECO-13-013495	20JUN2013	JA	DH
	F	REVISED PER PCN E-17-006278	13APR2017	CM	DM

SEAL TYPE	CONTACT SIZE	MIN. INSUL. OD [mm]	MAX. INSUL. OD [mm]	WIRE RANGE [mm <sup>2</sup> ] REF ONLY
3	NORMAL	.100 [2.540]	.134 [3.404]	14-18 AWG [2.0-.75]
E	E	.053 [1.346]	.120 [3.048]	14-20 AWG [2.0-.50]
T	T	.088 [2.235]	.134 [3.404]	14-20 AWG [2.0-.50]



4. RECOMMENDED SCREW: 8-32 [M4]. TORQUE: 20-25 IN-LB [2.26-2.82 Nm].

3. WHEN X = E: LETTER "E" IDENTIFIES "E" WIRE SEAL.  
 WHEN X = T: BROWN WELD CAPS IDENTIFIES "T" WIRE SEAL  
 WHEN X = BLANK: IDENTIFIES "NORMAL" WIRE SEAL

2. THIS PART MATES WITH DRC16-70SAX-XXXX.  
 (XXXX= ALL MODIFICATIONS) CONSULT FACTORY FOR MODS.

NOTES: 1. RECEPTACLE IS SUPPLIED WITH DUST CAP (NOT SHOWN).

5. MATERIAL:  
 HOUSING: PPS GF40 (BLACK)  
 GROMMET: VMQ (RED-ORANGE)  
 THREADED INSERT: STAINLESS STEEL.

THIS DRAWING IS A CONTROLLED DOCUMENT.		DWN	20JUN2013	TE Connectivity	
		CHK	20JUN2013	RECEPTACLE, FLANGED, 70 PIN KEY B	
		APVD	20JUN2013	NAME	
		DANIEL HASIBUAN		SIZE	A3
DIMENSIONS: INCHES [mm]		PRODUCT SPEC		CAGE CODE	4AFU8
TOLERANCES UNLESS OTHERWISE SPECIFIED:		APPLICATION SPEC		DRAWING NO	©-DRC12-70PBX
0 PLC ±		0425-015-0000		RESTRICTED TO	-
1 PLC ±		WEIGHT		SCALE	
2 PLC ±		192.71g		SHEET	OF
3 PLC ±.025 [.64]		Customer Drawing		REV	F
4 PLC ±					
ANGLES ±0°30'0"					
MATERIAL					
FINISH					