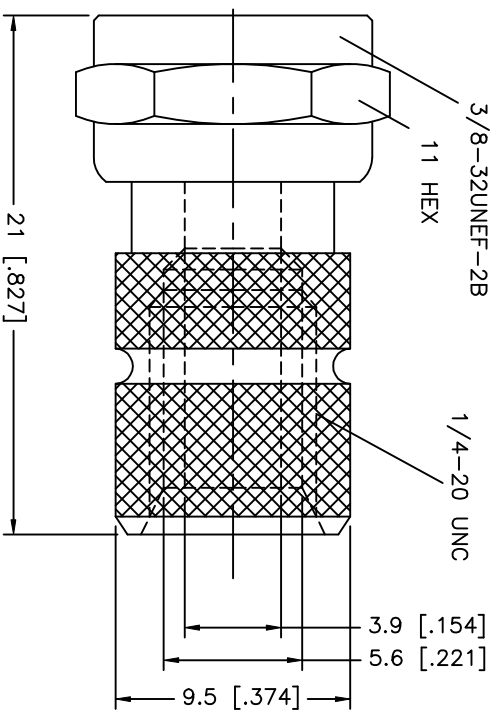
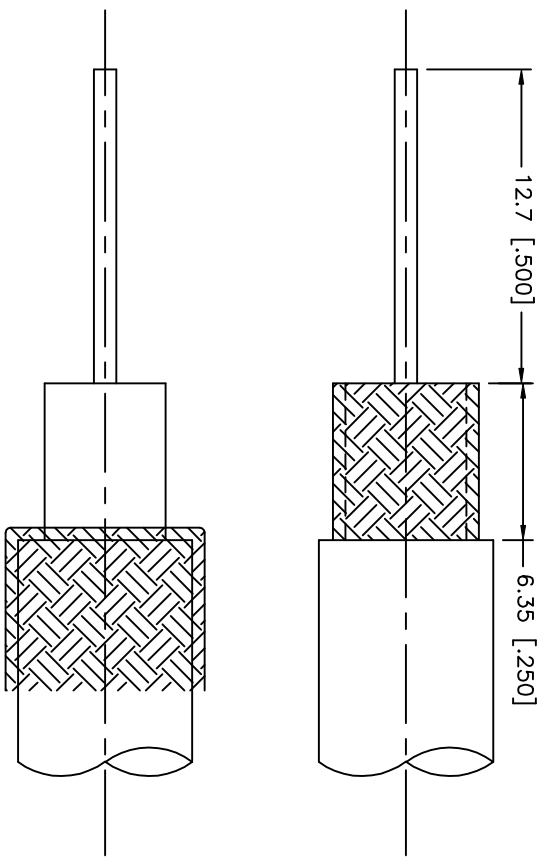


REV.	DATE	DESCRIPTION
A	09/10/02	ADD STRIPPING DIMENSIONS



RECOMMENDED CABLE
STRIPPING DIMS
(STEP #1)



(STEP #2)

8				UNLESS OTHERWISE SPECIFIED DIMENSIONS ARE IN MILLIMETERS		APPROVALS	DATE	TITLE			REV.
7				DIMENSIONS IN [] ARE IN INCHES FOR CUSTOMER REFERENCE ONLY		DRAWN	09/10/02	Amphenol - Connex CONNECTOR CORPORATION			A
6						CHECKED		F TWIST-ON PLUG (FOR RG59/U CABLE)			
5						ISSUED					
4											
3											
2	SHELL	BRASS	GOLD	.XXX = ± 0.005" .XX = ± 0.010" .X = ± 0.020"				SIZE FSCM NO. DWG. NO.			
1	BODY	BRASS	GOLD	DO NOT SCALE DRAWING				A NA 99001 222159			
	DESCRIPTION	MATERIAL	FINISH					SCALE NA PART NO. 222159			SHEET 1 OF 1