

**SPECIFICATION  
FOR  
LCD Module**

**Customer P/N:**

**Santek P/N: ST0800C10-RSLW-F**

**DOC. Revision: RS03**

**Customer Approval:**

|  |
|--|
|  |
|--|

|                    | <b>SIGNATURE</b> | <b>DATE</b> |
|--------------------|------------------|-------------|
| <b>PREPARED BY</b> | Zhiyi Liao       | 2017-11-28  |
| <b>CHECKED BY</b>  | Tom Liao         | 2017-11-28  |
| <b>APPROVED BY</b> | Natty Lee        | 2017-11-28  |

Document Revision History

| Version | Revise Date | Description                    | Changed by |
|---------|-------------|--------------------------------|------------|
| RS01    | 2011-07-07  | First issue                    | Vivian     |
| RS02    | 2012-06-19  | Modify cover page title        | Alisa      |
| RS03    | 2017-11-28  | Modify to San Technology, Inc. | Zhiyi      |

---

Table of Contents

|       |                                    |    |
|-------|------------------------------------|----|
| 1     | General Specifications .....       | 4  |
| 2     | Pin Assignment.....                | 5  |
| 2.1   | TFT LCD Panel Driving Section..... | 5  |
| 3     | Operation Specifications.....      | 8  |
| 3.1   | Absolute Maximum Rating.....       | 8  |
| 3.1.1 | Typical Operation Conditions.....  | 9  |
| 3.1.2 | Current Consumption .....          | 10 |
| 3.1.3 | Backlight Driving Conditions.....  | 10 |
| 3.2   | Power Sequence .....               | 11 |
| 3.3   | Timing Characteristics .....       | 12 |
| 4     | Optical Specifications.....        | 15 |
| 5     | Reliability Test Items .....       | 19 |
| 6     | General Precautions .....          | 20 |
| 6.1   | Safety .....                       | 20 |
| 6.2   | Handling .....                     | 20 |
| 6.3   | Static Electricity .....           | 20 |
| 6.4   | Storage .....                      | 20 |
| 6.5   | Cleaning .....                     | 20 |
| 7     | Mechanical Drawing .....           | 21 |
| 8     | Package Drawing .....              | 22 |
| 8.1   | Package Material Table .....       | 22 |
| 8.2   | Packaging Quantity .....           | 22 |
| 8.3   | Packaging Drawing.....             | 23 |

## 1 General Specifications

| No. | Item                        | Specification                   | Remark |
|-----|-----------------------------|---------------------------------|--------|
| 1   | LCD size                    | 8.0 inch(Diagonal)              |        |
| 2   | Driver element              | a-Si TFT active matrix          |        |
| 3   | Resolution                  | 800 X 3(RGB) X 480              |        |
| 4   | Display mode                | Normally White, Transmissive    |        |
| 5   | Dot pitch                   | 0.0736(W) X 0.2070(H) mm        |        |
| 6   | Active area                 | 176.64(W) X 99.36(H) mm         |        |
| 7   | Module size                 | 192.8(W) X 116.9(H) X 6.4(D) mm | Note 1 |
| 8   | Surface treatment           | Anti-Glare                      |        |
| 9   | Color arrangement           | RGB-stripe                      |        |
| 10  | Interface                   | Digital                         |        |
| 11  | Backlight power consumption | 2.232 W (Typ)                   |        |
| 12  | Panel power consumption     | 0.226 W (Typ)                   |        |
| 13  | Weight                      | 251g(Typ.)                      |        |

Note 1: Refer to mechanical drawing.

## 2 Pin Assignment

### 2.1 TFT LCD Panel Driving Section

FPC Connector is used for the module electronics interface. The recommended model is FH12A-50S-0.5SH manufactured by Hirose.

| Pin No. | Symbol            | I/O | Function                          | Remark |
|---------|-------------------|-----|-----------------------------------|--------|
| 1       | V <sub>LED+</sub> | P   | Power for LED backlight (Anode)   |        |
| 2       | V <sub>LED+</sub> | P   | Power for LED backlight (Anode)   |        |
| 3       | V <sub>LED-</sub> | P   | Power for LED backlight (Cathode) |        |
| 4       | V <sub>LED-</sub> | P   | Power for LED backlight (Cathode) |        |
| 5       | GND               | P   | Power ground                      |        |
| 6       | V <sub>COM</sub>  | I   | Common voltage                    |        |
| 7       | DV <sub>DD</sub>  | P   | Power for digital circuit         |        |
| 8       | MODE              | I   | DE/SYNC mode select               | Note 1 |
| 9       | DE                | I   | Data Input enable                 |        |
| 10      | VS                | I   | Vertical sync input               |        |
| 11      | HS                | I   | Horizontal sync input             |        |
| 12      | B7                | I   | Blue data(MSB)                    |        |
| 13      | B6                | I   | Blue data                         |        |
| 14      | B5                | I   | Blue data                         |        |
| 15      | B4                | I   | Blue data                         |        |
| 16      | B3                | I   | Blue data                         |        |
| 17      | B2                | I   | Blue data                         |        |
| 18      | B1                | I   | Blue data                         | Note 2 |
| 19      | B0                | I   | Blue data(LSB)                    | Note 2 |
| 20      | G7                | I   | Green data(MSB)                   |        |
| 21      | G6                | I   | Green data                        |        |
| 22      | G5                | I   | Green data                        |        |
| 23      | G4                | I   | Green data                        |        |
| 24      | G3                | I   | Green data                        |        |
| 25      | G2                | I   | Green data                        |        |
| 26      | G1                | I   | Green data                        | Note 2 |
| 27      | G0                | I   | Green data(LSB)                   | Note 2 |
| 28      | R7                | I   | Red data(MSB)                     |        |

|    |           |   |                          |          |
|----|-----------|---|--------------------------|----------|
| 29 | R6        | I | Red data                 |          |
| 30 | R5        | I | Red data                 |          |
| 31 | R4        | I | Red data                 |          |
| 32 | R3        | I | Red data                 |          |
| 33 | R2        | I | Red data                 |          |
| 34 | R1        | I | Red data                 | Note 2   |
| 35 | R0        | I | Red data(LSB)            | Note 2   |
| 36 | GND       | P | Power ground             |          |
| 37 | DCLK      | I | Sample clock             | Note 3   |
| 38 | GND       | P | Power ground             |          |
| 39 | L/R       | I | Left / right selection   | Note 4,5 |
| 40 | U/D       | I | Up/down selection        | Note 4,5 |
|    | $V_{GH}$  | P | Gate ON voltage          |          |
| 42 | $V_{GL}$  | P | Gate OFF voltage         |          |
| 43 | $AV_{DD}$ | P | Power for analog circuit |          |
| 44 | RESET     | I | Global reset pin         | Note 6   |
| 45 | NC        | - | No connection            |          |
| 46 | $V_{COM}$ | I | Common voltage           |          |
| 47 | DITHB     | I | Dithering function       | Note 7   |
| 48 | GND       | P | Power ground             |          |
| 49 | NC        | - | No connection            |          |
| 50 | NC        | - | No connection            |          |

I: input, O: output, P: Power

Note 1: DE/SYNC mode select. Normally pull high.

When select DE mode, MODE="1", VS and HS can pull high or be ground.

When select SYNC mode, MODE="0", DE can pull high or be ground.

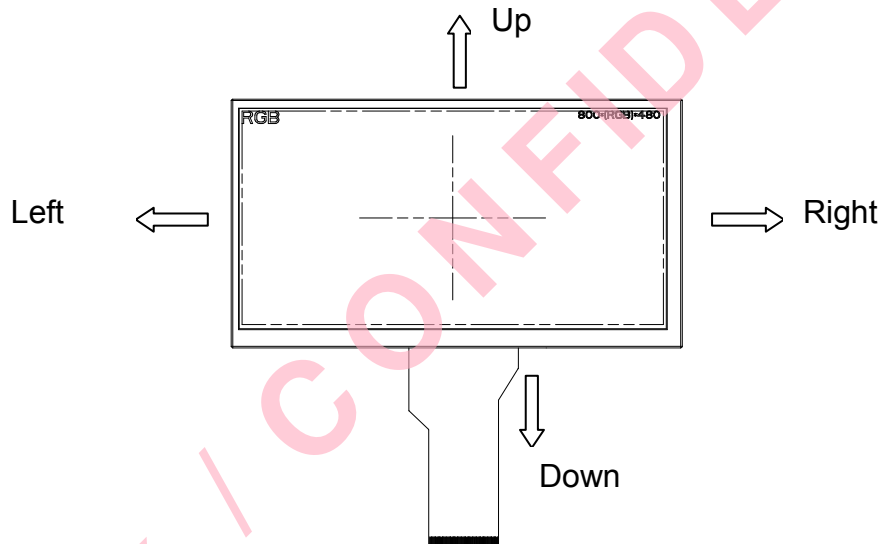
Note 2: When input 18 bits RGB data, the two low bits of R,G and B data must be grounded.

Note 3: Data shall be latched at the falling edge of DCLK.

Note 4: Selection of scanning mode

| Setting of scan control input |                  | Scanning direction        |
|-------------------------------|------------------|---------------------------|
| U/D                           | L/R              |                           |
| GND                           | DV <sub>DD</sub> | Up to down, left to right |
| DV <sub>DD</sub>              | GND              | Down to up, right to left |
| GND                           | GND              | Up to down, right to left |
| DV <sub>DD</sub>              | DV <sub>DD</sub> | Down to up, left to right |

Note 5: Definition of scanning direction.  
Refer to the figure as below:



Note 6: Global reset pin. Active low to enter reset state. Suggest to connect with an RC reset circuit for stability. Normally pull high.

Note 7: Dithering function enable control, normally pull high.  
When DITHB="1", Disable internal dithering function,  
When DITHB="0", Enable internal dithering function,

### 3 Operation Specifications

#### 3.1 Absolute Maximum Rating

(GND=AV<sub>SS</sub>=0V, Note 1)

| Item                  | Symbol                           | Values |      | Unit | Remark             |
|-----------------------|----------------------------------|--------|------|------|--------------------|
|                       |                                  | Min.   | Max. |      |                    |
| Power Voltage         | V <sub>CC</sub>                  | -0.3   | 5.0  | V    |                    |
|                       | AV <sub>DD</sub>                 | 6.5    | 13.5 | V    |                    |
|                       | V <sub>GH</sub>                  | -0.3   | 40.0 | V    |                    |
|                       | V <sub>GL</sub>                  | -20.0  | 0.3  | V    |                    |
|                       | V <sub>GH</sub> -V <sub>GL</sub> | -      | 40.0 | V    |                    |
| Operation Temperature | T <sub>OP</sub>                  | -30    | 85   | °C   |                    |
| Storage Temperature   | T <sub>ST</sub>                  | -30    | 85   | °C   |                    |
| LED Reverse Voltage   | V <sub>r</sub>                   | -      | 1.2  | V    | Each LED<br>Note 2 |
| LED Forward Current   | I <sub>f</sub>                   | -      | 25   | mA   | Each LED           |

Note 1: The absolute maximum rating values of this product are not allowed to be exceeded at any times. Should a module be used with any of the absolute maximum ratings exceeded, the characteristics of the module may not be recovered, or in an extreme case, the module may be permanently destroyed.

Note 2: V<sub>R</sub> Conditions: Zener Diode 20mA



3.1.1 Typical Operation Conditions

(Note 1)

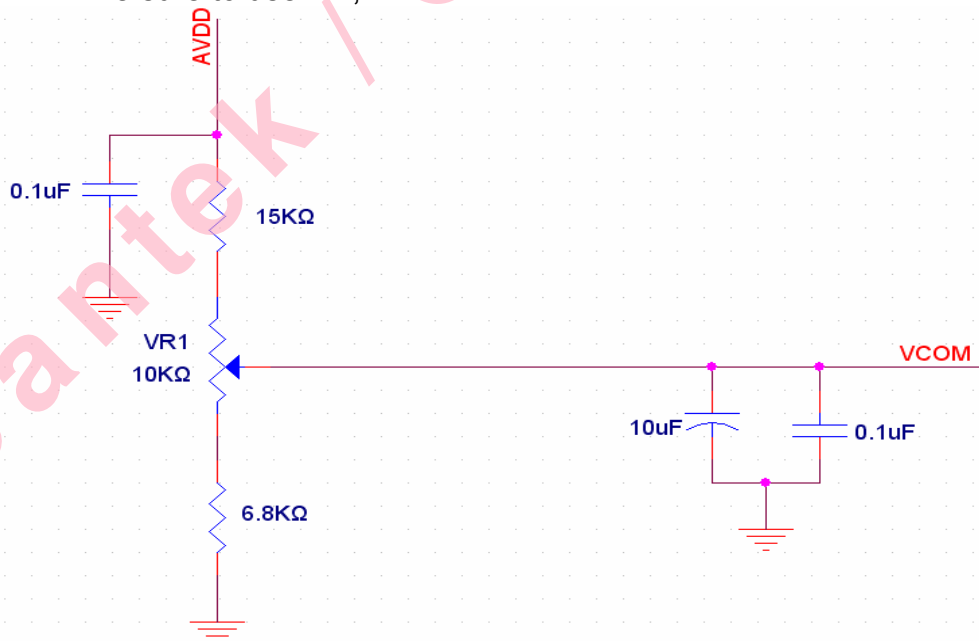
| Item                     | Symbol           | Values               |      |                      | Unit | Remark |
|--------------------------|------------------|----------------------|------|----------------------|------|--------|
|                          |                  | Min.                 | Typ. | Max.                 |      |        |
| Power Voltage            | DV <sub>DD</sub> | 3.0                  | 3.3  | 3.6                  | V    | Note 2 |
|                          | AV <sub>DD</sub> | 10.2                 | 10.4 | 10.6                 | V    |        |
|                          | V <sub>GH</sub>  | 15.3                 | 16.0 | 16.7                 | V    |        |
|                          | V <sub>GL</sub>  | -7.7                 | -7.0 | -6.3                 | V    |        |
| Input Signal Voltage     | V <sub>COM</sub> | 3.4                  | 4.4  | 5.4                  | V    | Note 4 |
| Input Logic High Voltage | V <sub>IH</sub>  | 0.7 DV <sub>DD</sub> | -    | DV <sub>DD</sub>     | V    | Note 3 |
| Input Logic Low Voltage  | V <sub>IL</sub>  | 0                    | -    | 0.3 DV <sub>DD</sub> | V    |        |

Note 1: Be sure to apply DV<sub>DD</sub> and V<sub>GL</sub> to the LCD first, and then apply V<sub>GH</sub>.

Note 2: DV<sub>DD</sub> setting should match the signals output voltage (refer to Note 3) of customer's system board.

Note 3: DCLK,HS,VS,RESET,U/D, L/R,DE,R0~R7,G0~G7,B0~B7,MODE,DITHB.

Note 4: Typ. V<sub>com</sub> is only a reference value, it must be optimized according to each LCM. Be sure to use VR;



### 3.1.2 Current Consumption

| Item               | Symbol     | Values |      |      | Unit | Remark |
|--------------------|------------|--------|------|------|------|--------|
|                    |            | Min.   | Typ. | Max. |      |        |
| Current for Driver | $I_{GH}$   | -      | 0.2  | 1    | mA   |        |
|                    | $I_{GL}$   | -      | 0.2  | 1    | mA   |        |
|                    | $IDV_{DD}$ | -      | 4    | 10   | mA   |        |
|                    | $IAV_{DD}$ | -      | 20   | 50   | mA   |        |

### 3.1.3 Backlight Driving Conditions

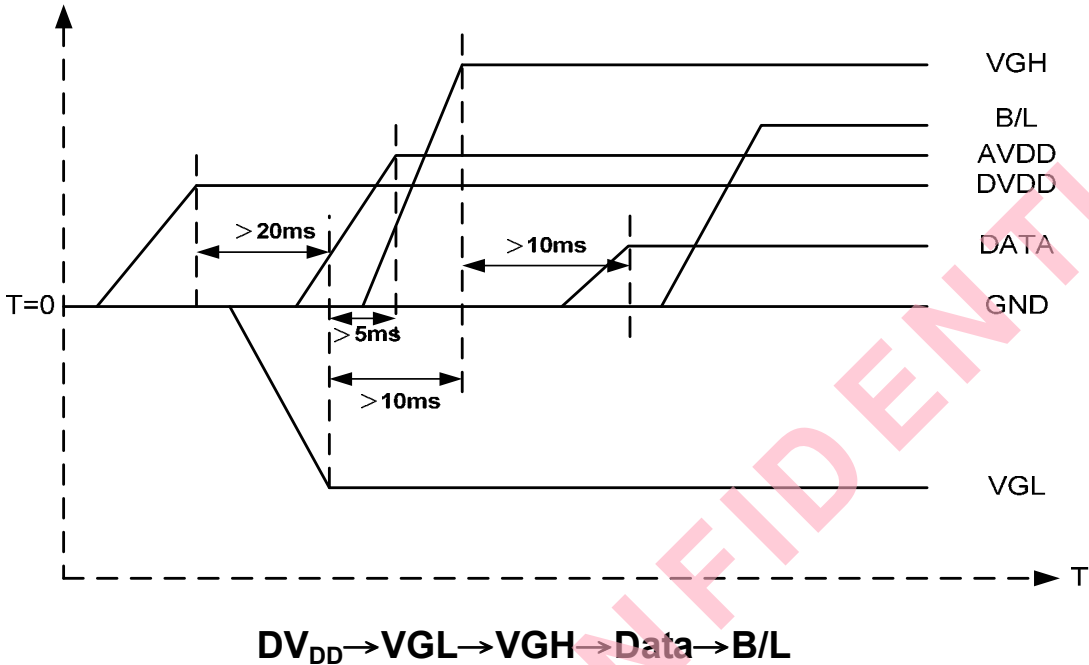
| Item                      | Symbol | Values |      |      | Unit | Remark |
|---------------------------|--------|--------|------|------|------|--------|
|                           |        | Min.   | Typ. | Max. |      |        |
| Voltage for LED Backlight | VL     | 8.4    | 9.3  | 10.2 | V    | Note 1 |
| Current for LED Backlight | $I_L$  | 216    | 240  | 264  | mA   |        |
| LED Life Time             | -      | 20,000 | -    | -    | Hr   | Note 2 |

Note 1: The LED Supply Voltage is defined by the number of LED at  $T_a=25^{\circ}C$  and  $I_L=240mA$ .

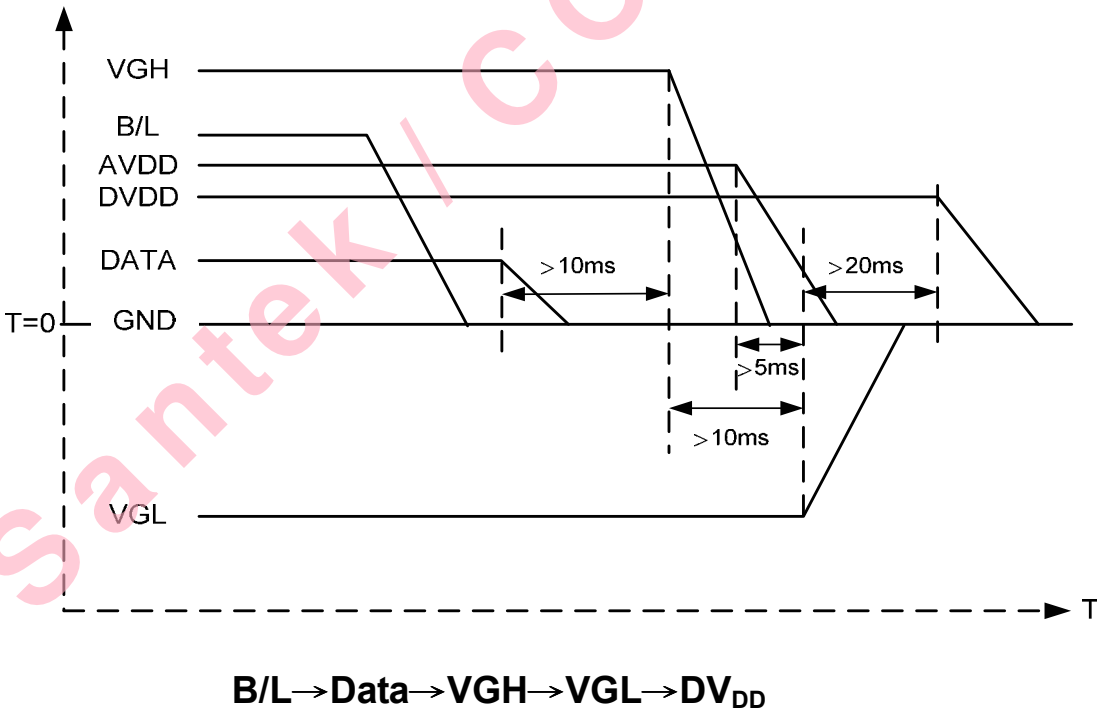
Note 2: The "LED life time" is defined as the module brightness decrease to 50% original brightness at  $T_a=25^{\circ}C$  and  $I_L=240mA$ . The LED lifetime could be decreased if operating  $I_L$  is larger than 240 mA.

### 3.2 Power Sequence

#### 3.2.1 Power on:



#### 3.2.2 Power off:



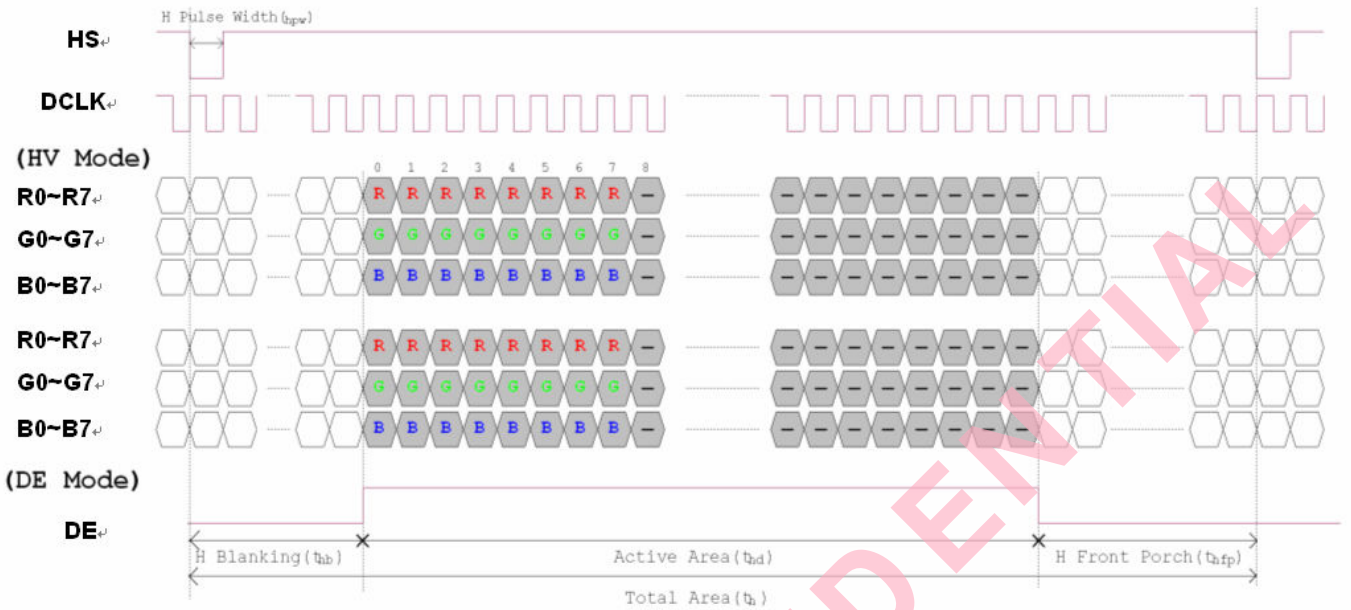
Note: Data include R0~R7, B0~B7, GO~G7, U/D, L/R, DCLK, HS, VS, DE.

### 3.3 Timing Characteristics

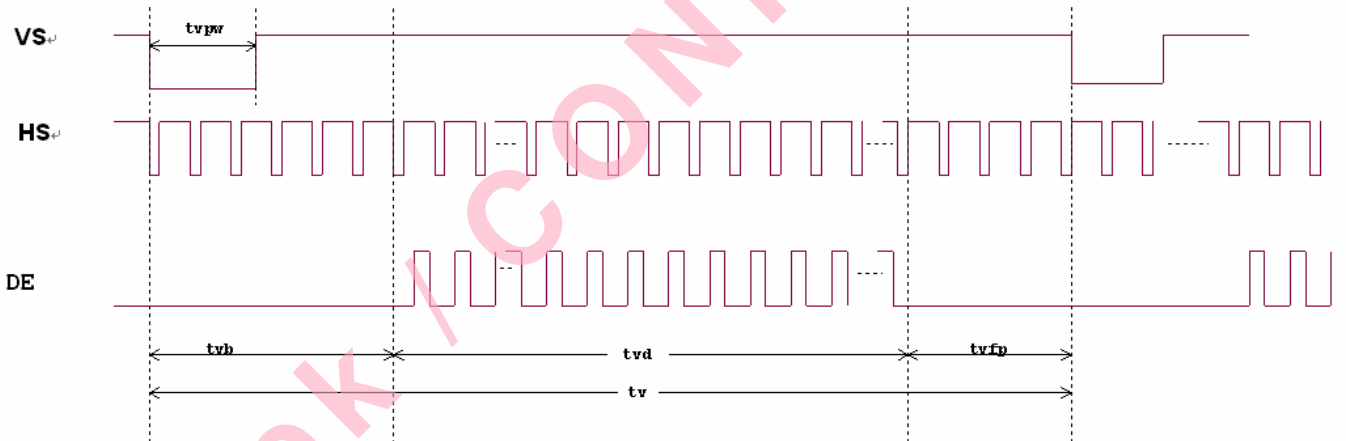
#### 3.3.1 AC Electrical Characteristics

| Item                                | Symbol    | Values |      |      | Unit | Remark                            |
|-------------------------------------|-----------|--------|------|------|------|-----------------------------------|
|                                     |           | Min.   | Typ. | Max. |      |                                   |
| HS setup time                       | $T_{hst}$ | 8      | -    | -    | ns   |                                   |
| HS hold time                        | $T_{hhd}$ | 8      | -    | -    | ns   |                                   |
| VS setup time                       | $T_{vst}$ | 8      | -    | -    | ns   |                                   |
| VS hold time                        | $T_{vhd}$ | 8      | -    | -    | ns   |                                   |
| Data setup time                     | $T_{dsu}$ | 8      | -    | -    | ns   |                                   |
| Data hole time                      | $T_{dhd}$ | 8      | -    | -    | ns   |                                   |
| DE setup time                       | $T_{esu}$ | 8      | -    | -    | ns   |                                   |
| DE hole time                        | $T_{ehd}$ | 8      | -    | -    | ns   |                                   |
| DV <sub>DD</sub> power on slew rate | $T_{POR}$ | -      | -    | 20   | ms   | From 0 to 90%<br>DV <sub>DD</sub> |
| RESET pulse width                   | $T_{Rst}$ | 1      | -    | -    | ms   |                                   |
| DCLK cycle time                     | $T_{coh}$ | 20     | -    | -    | ns   |                                   |
| DCLK pulse duty                     | $T_{cwh}$ | 40     | 50   | 60   | %    |                                   |

**3.3.2 Data Input Format**



**Figure 3. 1 Horizontal input timing diagram.**



**Figure 3. 2 Vertical input timing diagram.**

3.3.3 Timing

| Item                    | Symbol | Values |      |      | Unit | Remark |
|-------------------------|--------|--------|------|------|------|--------|
|                         |        | Min.   | Typ. | Max. |      |        |
| Horizontal Display Area | thd    | -      | 800  | -    | DCLK |        |
| DCLK Frequency          | fclk   | 26.4   | 33.3 | 46.8 | MHz  |        |
| One Horizontal Line     | th     | 862    | 1056 | 1200 | DCLK |        |
| HS Pulse Width          | thpw   | 1      | -    | 40   | DCLK |        |
| HS Blanking             | thb    | 46     | 46   | 46   | DCLK |        |
| HS Front Porch          | thfp   | 16     | 210  | 354  | DCLK |        |

| Item                  | Symbol | Values |      |      | Unit | Remark |
|-----------------------|--------|--------|------|------|------|--------|
|                       |        | Min.   | Typ. | Max. |      |        |
| Vertical Display Area | tvd    | -      | 480  | -    | TH   |        |
| VS Period Time        | tv     | 510    | 525  | 650  | TH   |        |
| VS Pulse Width        | tvpw   | 1      | -    | 20   | TH   |        |
| VS Blanking           | tvb    | 23     | 23   | 23   | TH   |        |
| VS Front Porch        | tvfp   | 7      | 22   | 147  | TH   |        |

## 4 Optical Specifications

| Item                     | Symbol     | Condition                       | Values |      |      | Unit              | Remark                     |
|--------------------------|------------|---------------------------------|--------|------|------|-------------------|----------------------------|
|                          |            |                                 | Min.   | Typ. | Max. |                   |                            |
| Viewing Angle<br>(CR≥10) | $\theta_L$ | $\Phi=180^\circ$ (9 o'clock)    | 60     | 70   | -    | degree            | Note 1                     |
|                          | $\theta_R$ | $\Phi=0^\circ$ (3 o'clock)      | 60     | 70   | -    |                   |                            |
|                          | $\theta_T$ | $\Phi=90^\circ$ (12 o'clock)    | 40     | 50   | -    |                   |                            |
|                          | $\theta_B$ | $\Phi=270^\circ$ (6 o'clock)    | 60     | 70   | -    |                   |                            |
| Response Time            | $T_{ON}$   | Normal<br>$\theta=\Phi=0^\circ$ | -      | 10   | 20   | msec              | Note 3                     |
|                          | $T_{OFF}$  |                                 | -      | 15   | 30   | msec              | Note 3                     |
| Contrast Ratio           | CR         |                                 | 400    | 500  | -    | -                 | Note 4                     |
| Color Chromaticity       | $W_X$      |                                 | 0.26   | 0.31 | 0.36 | -                 | Note 2<br>Note 5<br>Note 6 |
|                          | $W_Y$      |                                 | 0.28   | 0.33 | 0.38 | -                 |                            |
| Luminance                | L          |                                 | 360    | 450  | -    | cd/m <sup>2</sup> | Note 6                     |
| Luminance Uniformity     | $Y_U$      |                                 | 70     | 75   | -    | %                 | Note 7                     |

Test Conditions:

1.  $V_{CC}=3.3V$ ,  $A_{V_{DD}}=10V$ ,  $I_L=240mA$  (Backlight current), the ambient temperature is  $25^\circ C$ .
2. The test systems refer to Note 2.

Note 1: Definition of viewing angle range

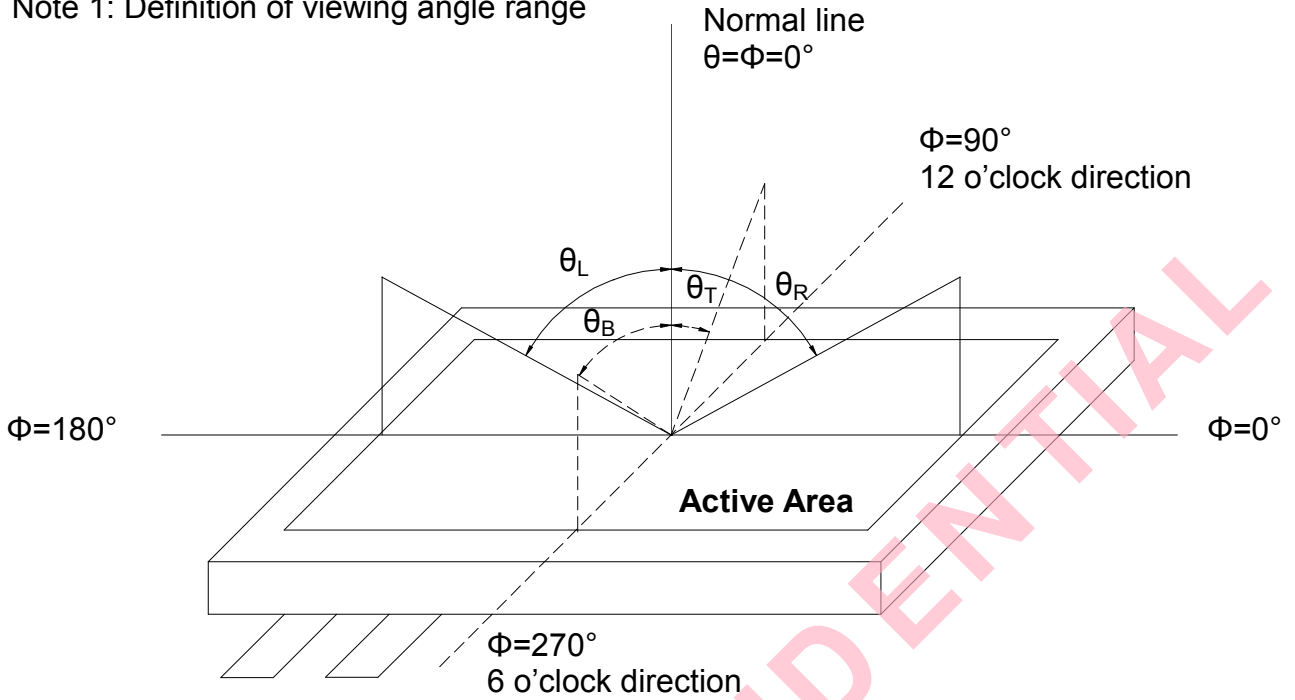


Fig. 4-1 Definition of viewing angle

Note 2: Definition of optical measurement system.

The optical characteristics should be measured in dark room. The optical properties are measured at the center point of the LCD screen. (Response time is measured by Photo detector TOPCON BM-7, other items are measured by BM-5A/Field of view:  $1^\circ$  /Height: 500mm.)

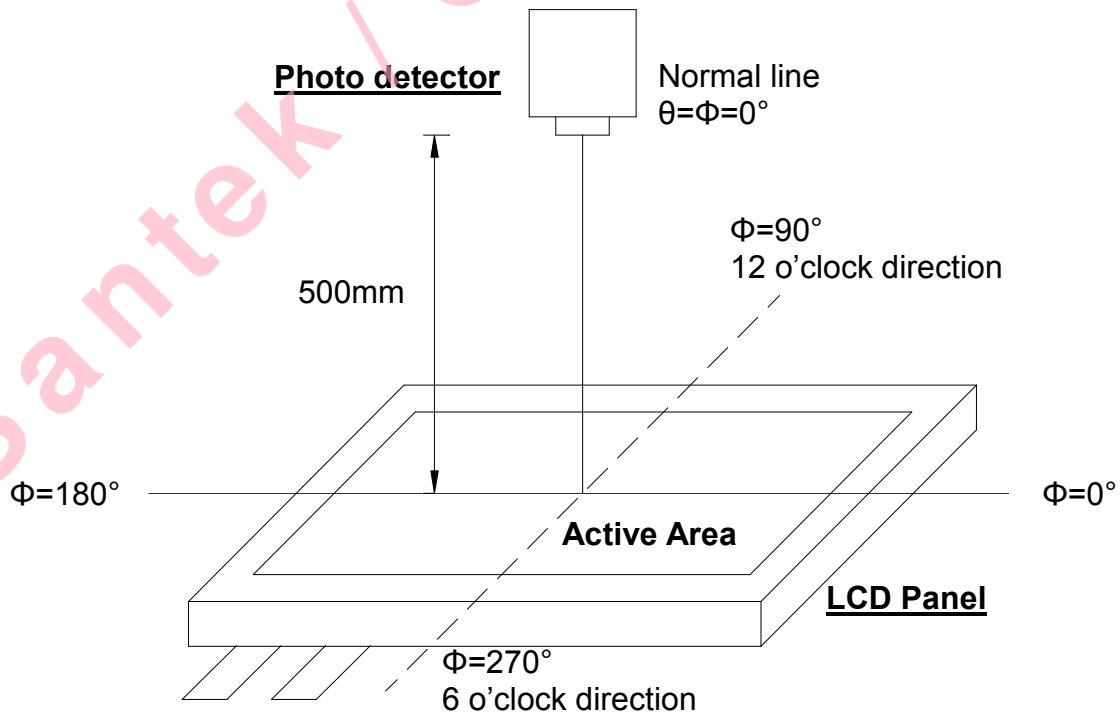


Fig. 4-2 Optical measurement system setup



Note 3: Definition of response time

The response time is defined as the LCD optical switching time interval between "White" state and "Black" state. Rise time ( $T_{ON}$ ) is the time between photo detector output intensity changed from 90% to 10%. And fall time ( $T_{OFF}$ ) is the time between photo detector output intensity changed from 10% to 90%.

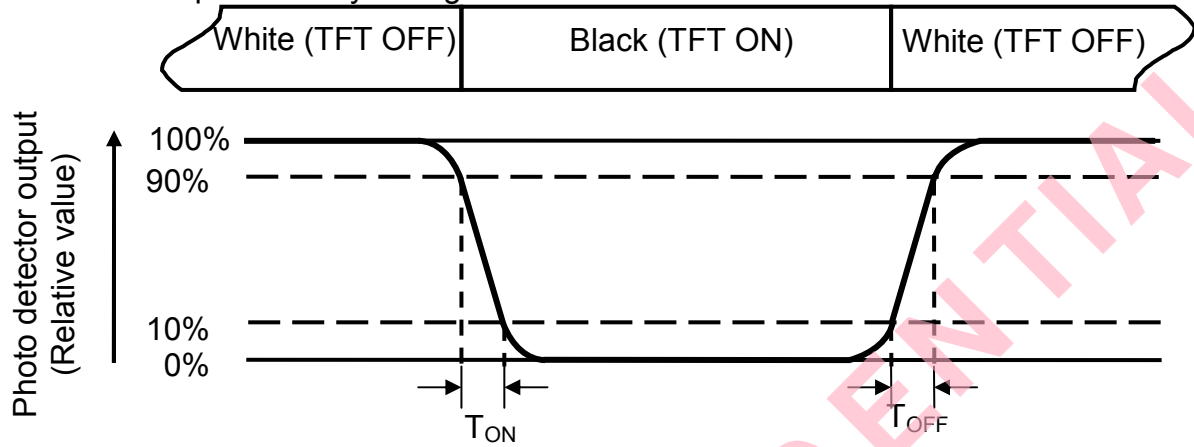


Fig. 4-3 Definition of response time

Note 4: Definition of contrast ratio

$$\text{Contrast ratio (CR)} = \frac{\text{Luminance measured when LCD on the "White" state}}{\text{Luminance measured when LCD on the "Black" state}}$$

Note 5: Definition of color chromaticity (CIE1931)

Color coordinates measured at center point of LCD.

Note 6: All input terminals LCD panel must be ground while measuring the center area of the panel. The LED driving condition is  $I_L=240\text{mA}$ .

Note 7: Definition of luminance uniformity

Active area is divided into 9 measuring areas (Refer to Fig. 4-4 ).Every measuring point is placed at the center of each measuring area.

$$\text{Luminance Uniformity } (Yu) = \frac{B_{min}}{B_{max}}$$

L-----Active area length      W----- Active area width

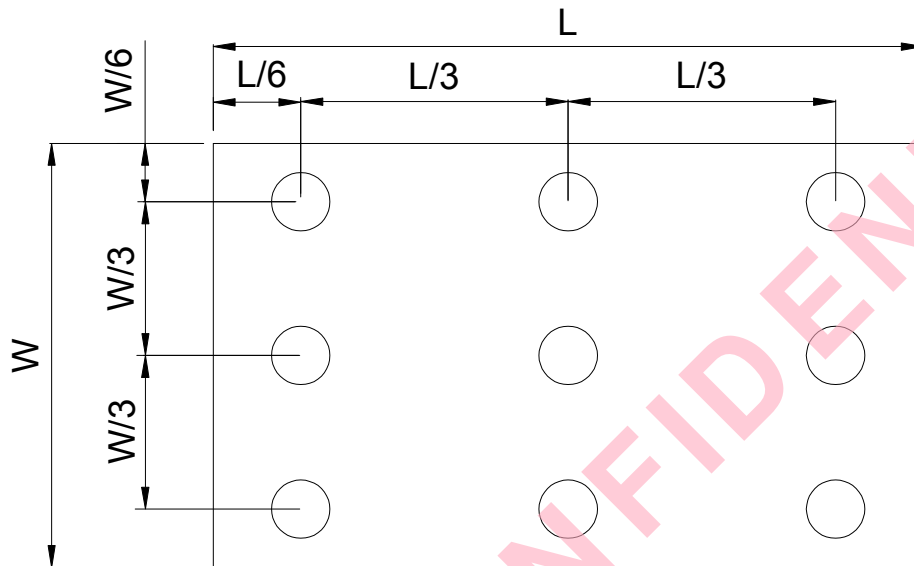


Fig. 4-4 Definition of measuring points

**B<sub>max</sub>**: The measured maximum luminance of all measurement position.

**B<sub>min</sub>**: The measured minimum luminance of all measurement position.



---

## 6 General Precautions

### 6.1 Safety

Liquid crystal is poisonous. Do not put it in your mouth. If liquid crystal touches your skin or clothes, wash it off immediately by using soap and water.

### 6.2 Handling

1. The LCD panel is plate glass. Do not subject the panel to mechanical shock or to excessive force on its surface.

2. The polarizer attached to the display is easily damaged. Please handle it carefully to avoid scratch or other damages.

3. To avoid contamination on the display surface, do not touch the module surface with bare hands.

4. Keep a space so that the LCD panels do not touch other components.

5. Put cover board such as acrylic board on the surface of LCD panel to protect panel from damages.

6. Transparent electrodes may be disconnected if you use the LCD panel under environmental conditions where the condensation of dew occurs.

7. Do not leave module in direct sunlight to avoid malfunction of the ICs.

### 6.3 Static Electricity

1. Be sure to ground module before turning on power or operating module.

2. Do not apply voltage which exceeds the absolute maximum rating value.

### 6.4 Storage

1. Store the module in a dark room where must keep at  $25\pm 10^{\circ}\text{C}$  and 65%RH or less.

2. Do not store the module in surroundings containing organic solvent or corrosive gas.

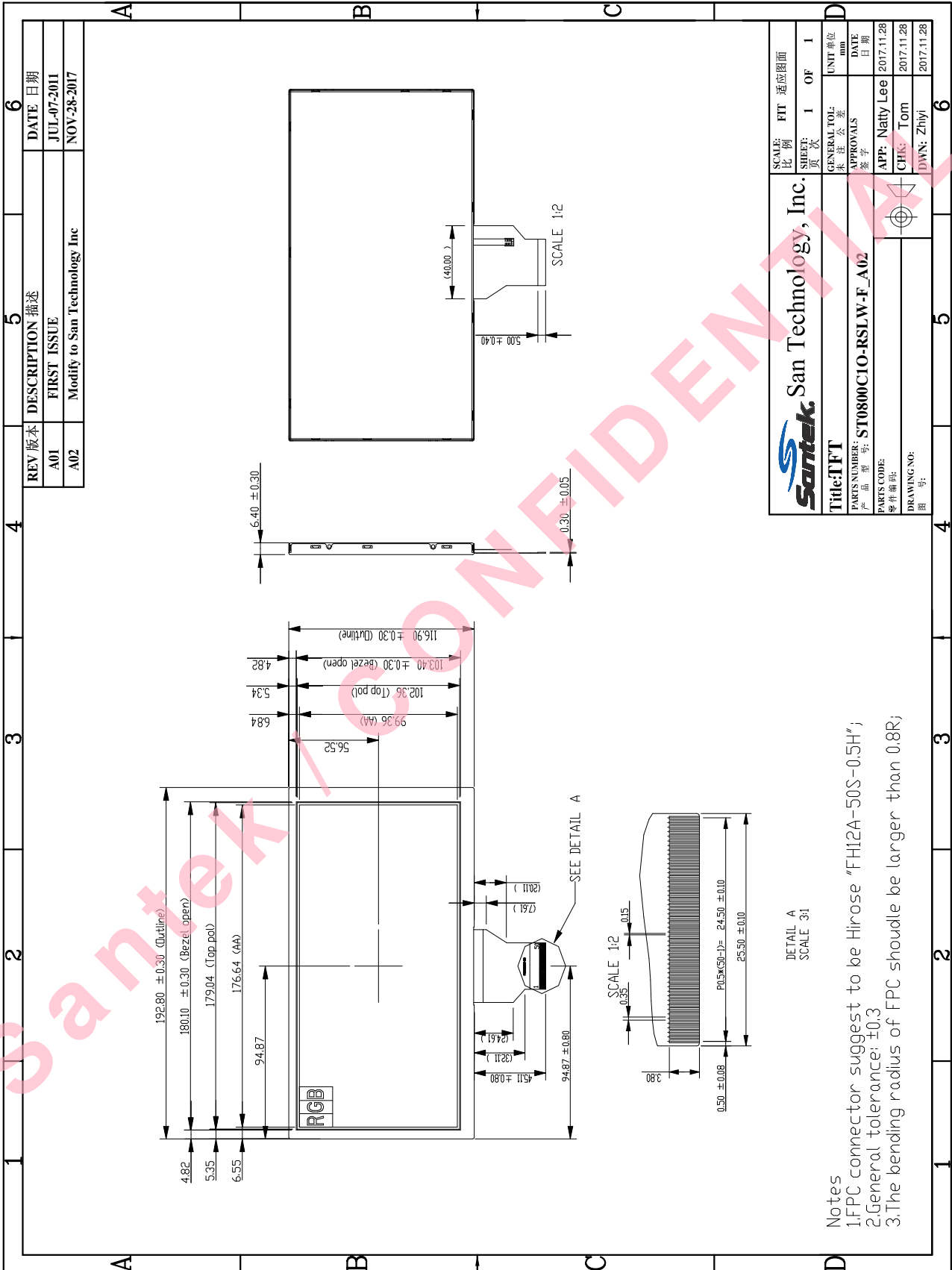
3. Store the module in an anti-electrostatic container or bag.

### 6.5 Cleaning

1. Do not wipe the polarizer with dry cloth. It might cause scratch.

2. Only use a soft sloth with IPA to wipe the polarizer, other chemicals might permanent damage to the polarizer.

# 7 Mechanical Drawing



## 8 Package Drawing

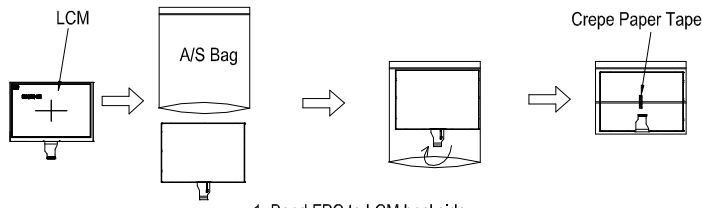
### 8.1 Package Material Table

| No. | Item           | Model (Material)    | Dimensions(mm)      | Unit Weight (kg) | Quantity | Remark |
|-----|----------------|---------------------|---------------------|------------------|----------|--------|
| 1   | LCM Module     | ST0800C10-RSLW-F    | 192.8 × 116.9 × 6.4 | 0.251            | 30pcs    |        |
| 2   | Partition      | BC Corrugated paper | 512 × 349 × 226     | 0.850            | 1set     |        |
| 3   | Corrugated Bar | B Corrugated paper  | 349 × 199 × 52      | 0.127            | 4pcs     |        |
| 4   | Dust-Proof Bag | PE                  | 700 × 530           | 0.041            | 1pcs     |        |
| 5   | A/S Bag        | PE                  | 205 × 195 × 0.2     | 0.003            | 30pcs    |        |
| 6   | Carton         | Corrugated paper    | 530 × 355 × 255     | 0.830            | 1pcs     |        |
| 7   | Total weight   | 9.8±5%KG            |                     |                  |          |        |

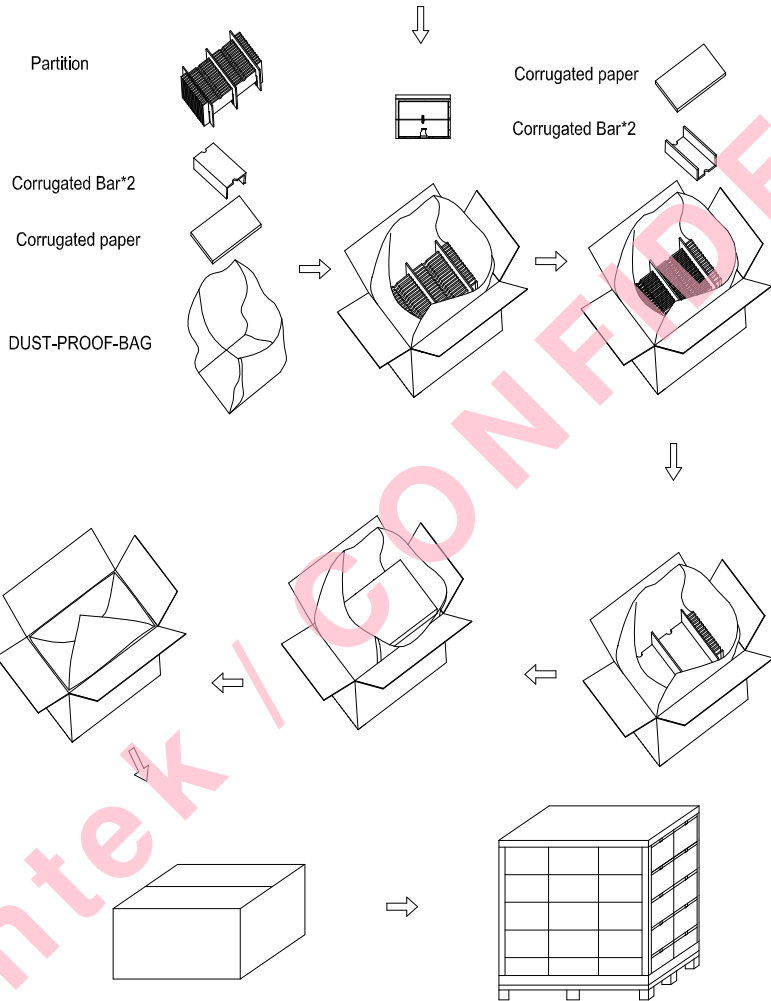
### 8.2 Packaging Quantity

|   |
|---|
| Total LCM quantity in Carton: no. of Partition      2 Rows x quantity per Row 15 = 30 |
|---|

### 8.3 Packaging Drawing



1. Bend FPC to LCM backside.
2. Put LCM into A/S BAG .



Santek / CONFIDENTIAL