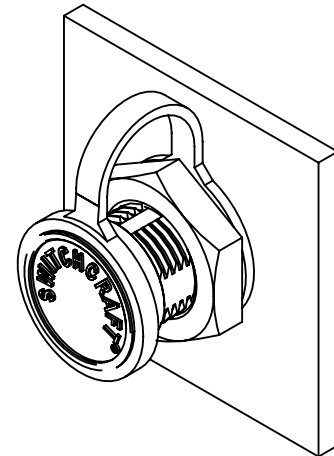
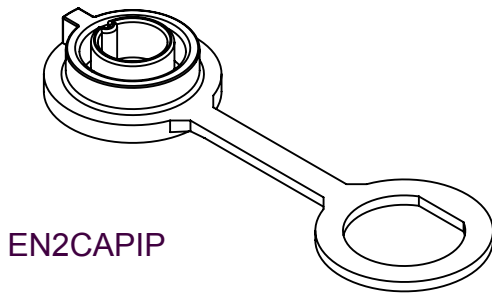
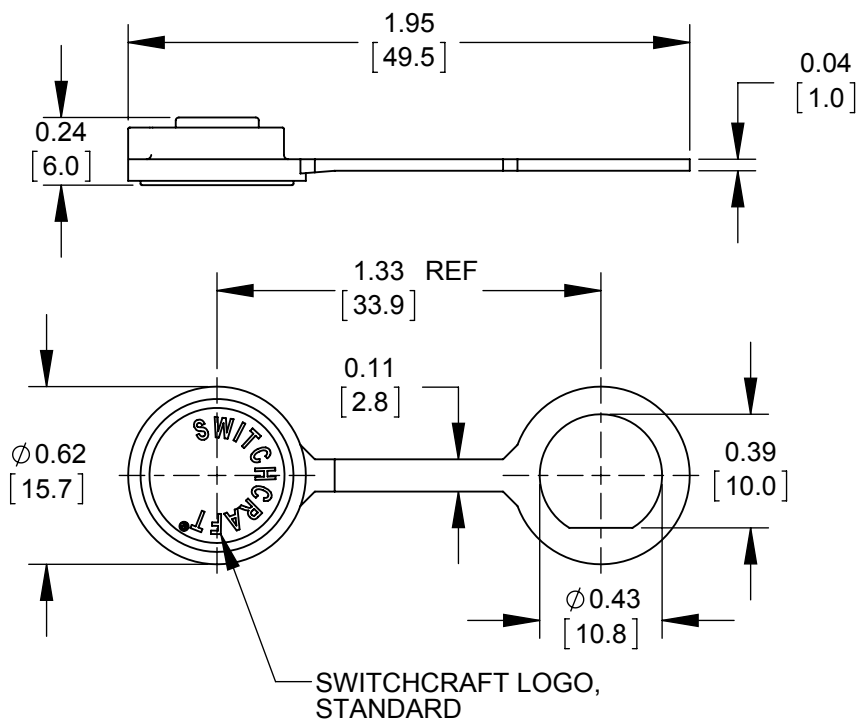


# EN2 Series Panel-mount Seal Cap EN2CAPIP



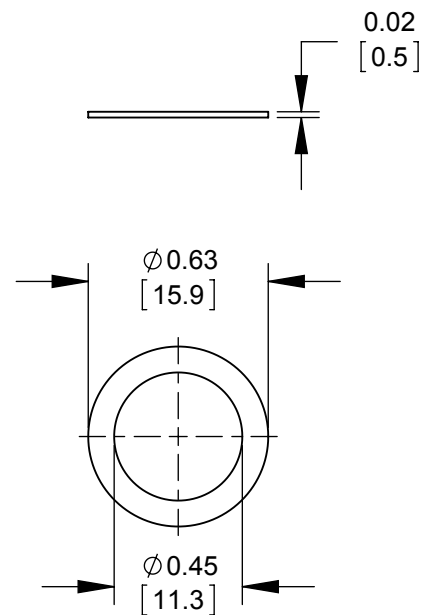
## Dimensions:

### CAP



DIMENSIONS SHOWN FOR REFERENCE ONLY

### WASHER



## Specifications:

**Operating Temperature Limits:** -40°C to +85°C (-40°F to +185°F)

**Weathertight Ratings:** IP66, IP67, IP68 per IEC60529, NEMA 250 (6P).

**Material:** Cap - Thermoplastic Elastomer, black  
Washer - Copper Alloy, Nickel plated