

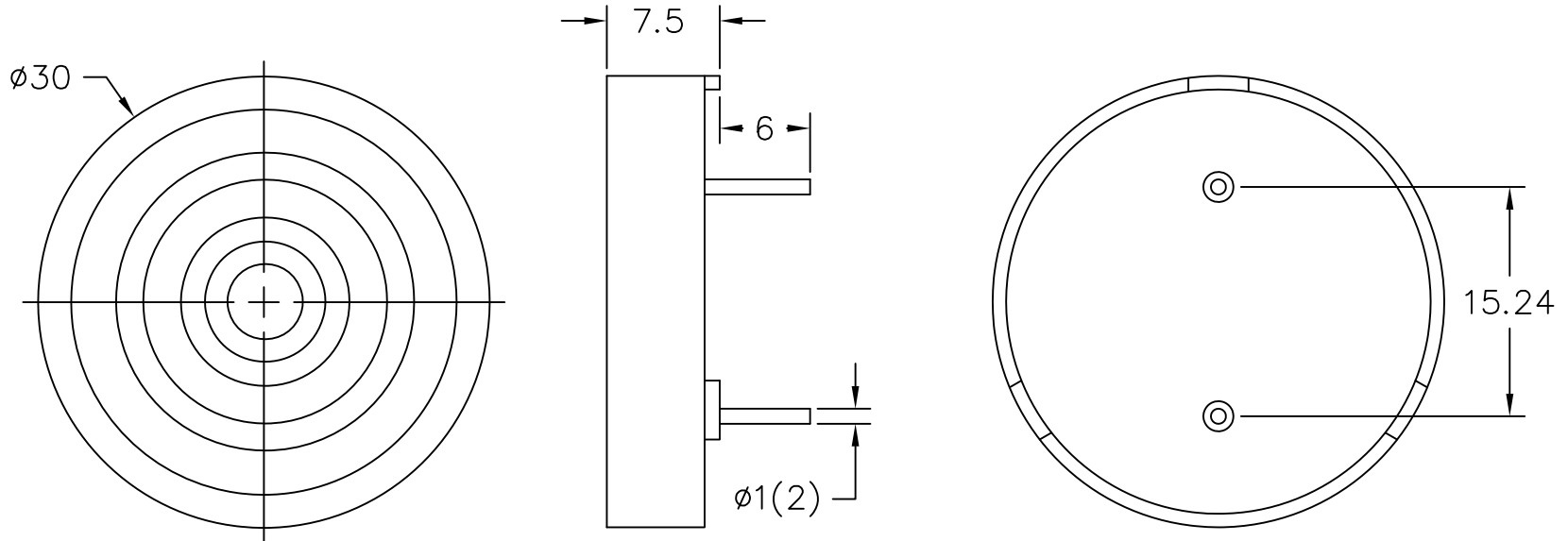
THIS DOCUMENT CONTAINS DATA PROPRIETARY TO PROJECTS UNLIMITED, INC. ANY USE OR REPRODUCTION, IN ANY FORM, WITHOUT PRIOR WRITTEN PERMISSION OF PROJECTS UNLIMITED, INC. IS PROHIBITED.
© 2005, Projects Unlimited Inc.

SPECIFICATIONS

PARAMETERS	VALUES	UNITS
RATED VOLTAGE	10	Vp-p
OPERATING VOLTAGE RANGE	1 ~ 30	Vp-p
RATED CURRENT (MAX)	5	mA
CAPACITANCE	18,000±30%	pF
MINIMUM SPL @ 10 CM	95	dBA
RESONANT FREQUENCY	4,600±500	Hz
OPERATING TEMPERATURE	-20 ~ +60	°C
STORAGE TEMPERATURE	-30 ~ +70	°C
HOUSING MATERIAL	ABS	-
TERMINAL MATERIAL	Sn PLATED COPPER	-
WEIGHT	2	grams


REVISIONS

LTR	DESCRIPTION	DATE	APPROVED
-	RELEASED FROM ENGINEERING	6/23/10	



NOTES:

1. ALL DIMENSIONS ARE IN MILLIMETERS.
2. SPECIFICATION SUBJECT TO CHANGE OR WITHDRAWAL WITHOUT NOTICE.
3. THIS PART IS RoHS 2002/95/EC COMPLIANT.

UNLESS OTHERWISE SPECIFIED: DIMENSIONS ARE IN MILLIMETERS, TOLERANCES ARE ± 0.5 AND ANGLES ARE $\pm 3^\circ$.		 <p>pui audio A Division of Projects Unlimited</p>	6300 Sand Lake Road Dayton, Ohio 45414	
APPROVALS			TRANSDUCER (PIEZO)	
DRAWN	J.D.	DATE	6/10	
CHECKED	C.W.	DATE	6/10	
APPROVED	B.R.	DATE	6/10	
FILE NAME	AT-3046-TT-R.DWG		SIZE	A
			DRAWING NO.	AT-3046-TT-R
			SCALE:	N.T.S.
			SHEET	1 OF 1