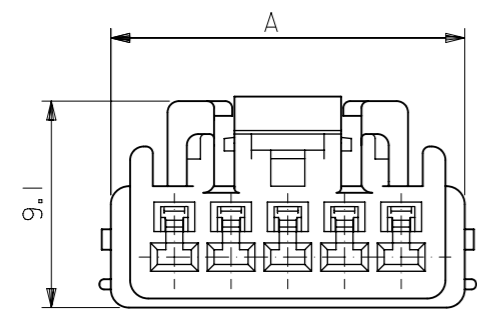
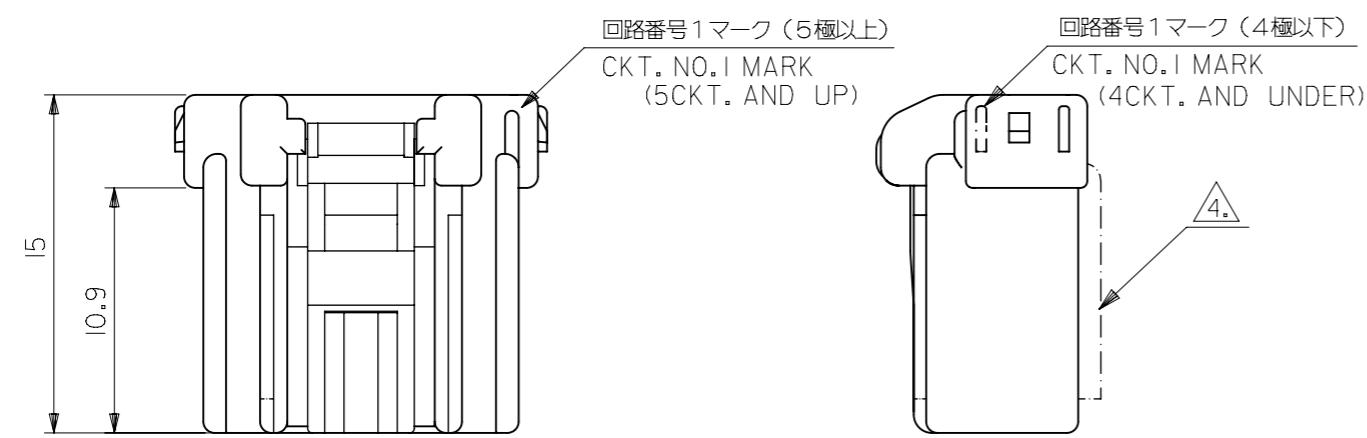
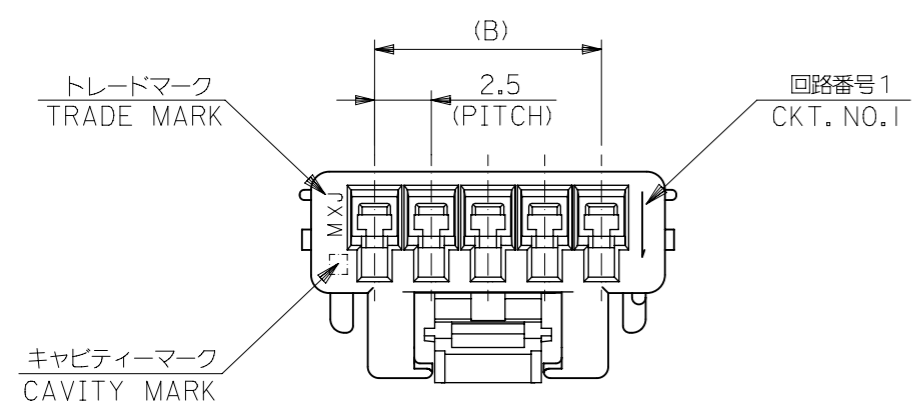


SHAPE OF  
500592-050\*

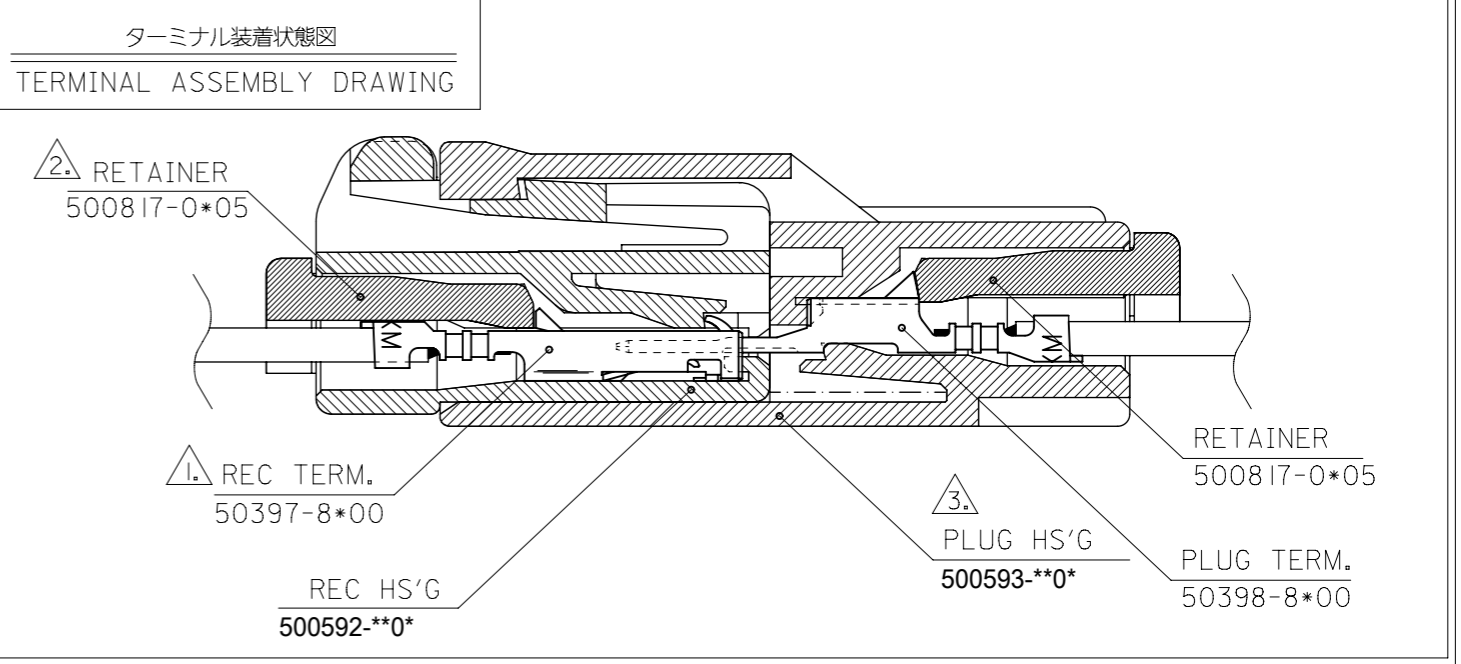
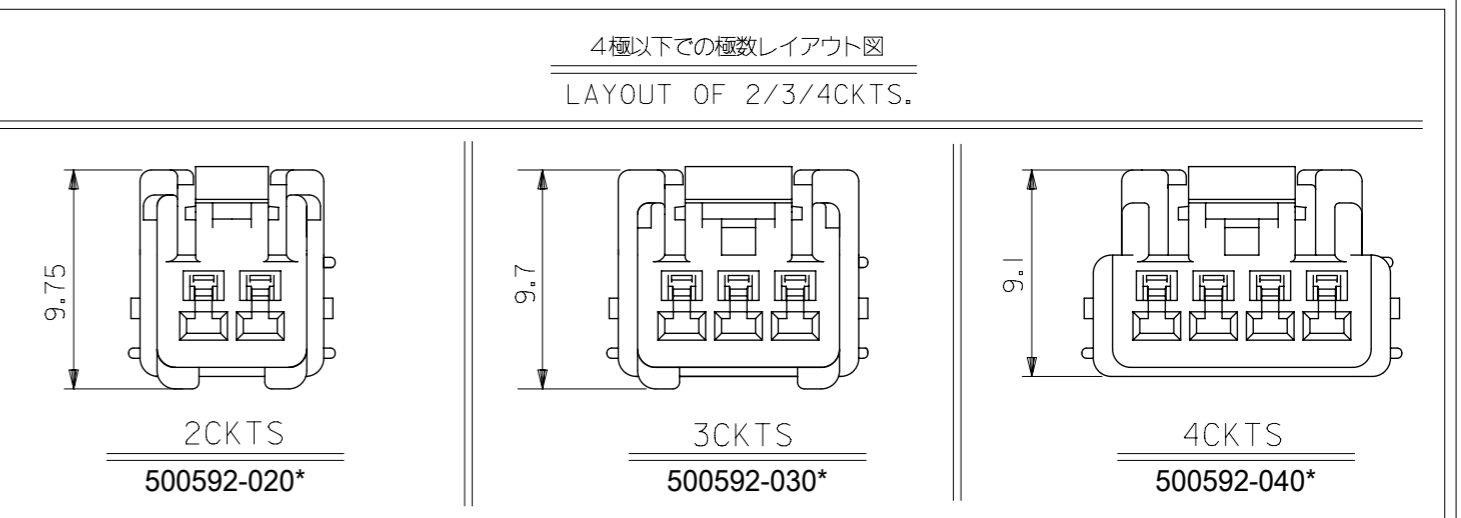


注記  
NOTES

- 1. 適合ターミナル：50397シリーズ  
APPLICABLE TERMINAL : 50397 SERIES
- 2. 適合リテーナー：500817シリーズ  
APPLICABLE RETAINER : 500817 SERIES
- 3. 嵌合相手：500593シリーズ  
MATE WITH : 500593 SERIES
- 4. 2及び3極に適用。  
APPLY 2&3 CIRCUITS.
- 5. 材質：PBT (UL94V-0)  
MATERIAL :PBT(UL94V-0)

6. MATERIAL NO. は以下の内容を示す。  
MATERIAL NO. :

- 500592-\*\*0\*
- 極数 ← 色  
CKT COLOR
- 0: 自然色 NATURAL
  - 1: 黒 BLACK
  - 2: 赤 RED
  - 3: 黄色 YELLOW
  - 4: 青 BLUE
  - 6: 緑 GREEN



PRE-RELEASE  
REFERENCE  
USE ONLY

500592-\*\*0\* MODEL NO.

THIS DRAWING CONTAINS INFORMATION THAT IS PROPRIETARY TO MOLEX ELECTRONIC TECHNOLOGIES, LLC AND SHOULD NOT BE USED WITHOUT WRITTEN PERMISSION										
DIMENSION UNITS	SCALE	CURRENT REV DESC: OBSOLETE PART NUMBERS AS PER PCN#512131.								
mm	NTS	<p style="text-align: center;"><b>molex</b></p> <p>2.5MM WIRE TO WIRE CONN RECEPTACLE HOUSING</p> <p style="text-align: center;">PRODUCT CUSTOMER DRAWING</p>								
GENERAL TOLERANCES (UNLESS SPECIFIED)										
ANGULAR TOL	± 3.0°	EC NO: 727779		2022/10/26		DOCUMENT NUMBER		DOC TYPE	DOC PART	REVISION
4 PLACES	± 0.2	DRWN: ANIKES1		2022/11/29		SD-500592-001		PSD	001	C
3 PLACES	± 0.25	CHK'D: GGA		2022/11/29		INITIAL REVISION:				
2 PLACES	± 0.3	APPR: GGA		2004/06/11		DRWN: TODA				
1 PLACE	±			2004/06/16		APPR: YOITO				
0 PLACES	±									
DRAFT WHERE APPLICABLE MUST REMAIN WITHIN DIMENSIONS		THIRD ANGLE PROJECTION	DRAWING	SERIES	MATERIAL NUMBER	CUSTOMER		SHEET NUMBER		
			A3-SIZE	500592	SEE TABLE	GENERAL MARKET		1 OF 2		

10 9 8 7 6 5 4 3 2 1

F  
E  
D  
C  
B  
A

500593-080*	500817-0805	17.5	23.1	8	---	---	---	---	500592-0800	
↑ -070*	↑ -0705	15	20.6	7	---	---	---	---	↑ -0700	
-060*	-0605	12.5	18.1	6	---	---	---	---	-0600	
-050*	-0505	10	15.6	5	---	---	---	---	-0500	500592-***
-040*	-0405	7.5	13.1	4	---	500592-0403	---	---	-0400	
↓ -030*	↓ -0305	5	10.6	3	500592-0304	---	---	---	↓ -0300	
500593-020*	500817-0205	2.5	8.1	2	500592-0204	500592-0203	500592-0202	500592-0201	500592-0200	
MATE WITH	CONFORTABLE-RETAINER	B	A	CKT.	BLUE	YELLOW	RED	BLACK	NATURAL	MODEL NO.

PRE-RELEASE  
REFERENCE ONLY  
USE ONLY

THIS DRAWING CONTAINS INFORMATION THAT IS PROPRIETARY TO MOLEX ELECTRONIC TECHNOLOGIES, LLC AND SHOULD NOT BE USED WITHOUT WRITTEN PERMISSION

DIMENSION UNITS	SCALE	CURRENT REV DESC: OBSOLETE PART NUMBERS AS PER PCN#512131.
mm	NTS	
GENERAL TOLERANCES (UNLESS SPECIFIED)		
ANGULAR TOL	± 3.0 °	
4 PLACES	± 0.2	
3 PLACES	± 0.25	
2 PLACES	± 0.3	
1 PLACE	±	
0 PLACES	±	
DRAFT WHERE APPLICABLE MUST REMAIN WITHIN DIMENSIONS		THIRD ANGLE PROJECTION
DRAWING	SERIES	MATERIAL NUMBER
A3-SIZE	500592	SEE TABLE
EC NO: 727779		DOCUMENT NUMBER
DRWN: ANIKES1		SD-500592-001
CHK'D: GGA		DOC TYPE
APPR: GGA		PSD
INITIAL REVISION:		DOC PART
DRWN: TODA		001
APPR: YOITO		REVISION
		C
DATE: 2022/11/29		SHEET NUMBER
		2 OF 2



2.5MM WIRE TO WIRE CONN  
RECEPTACLE HOUSING

PRODUCT CUSTOMER DRAWING

DOCUMENT STATUS	P1	RELEASE DATE	2022/11/29 12:45:08
-----------------	----	--------------	---------------------

9 8 7 6 5 4 3 2 1

FORMAT: master-b-prod-A3  
REVISION: 11  
DATE: 2021/05/01