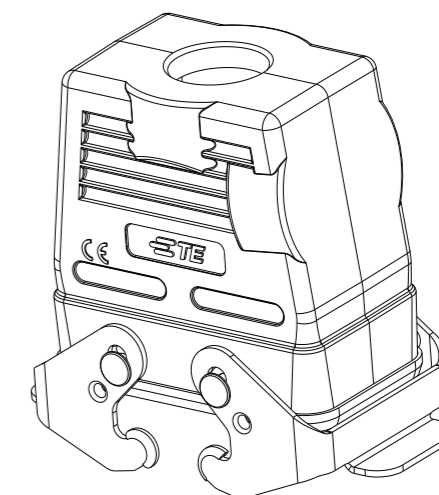
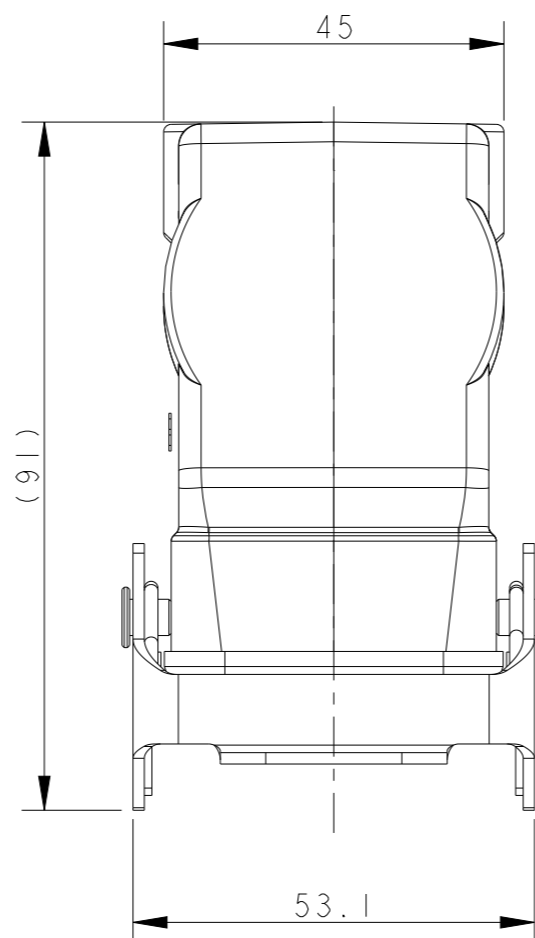
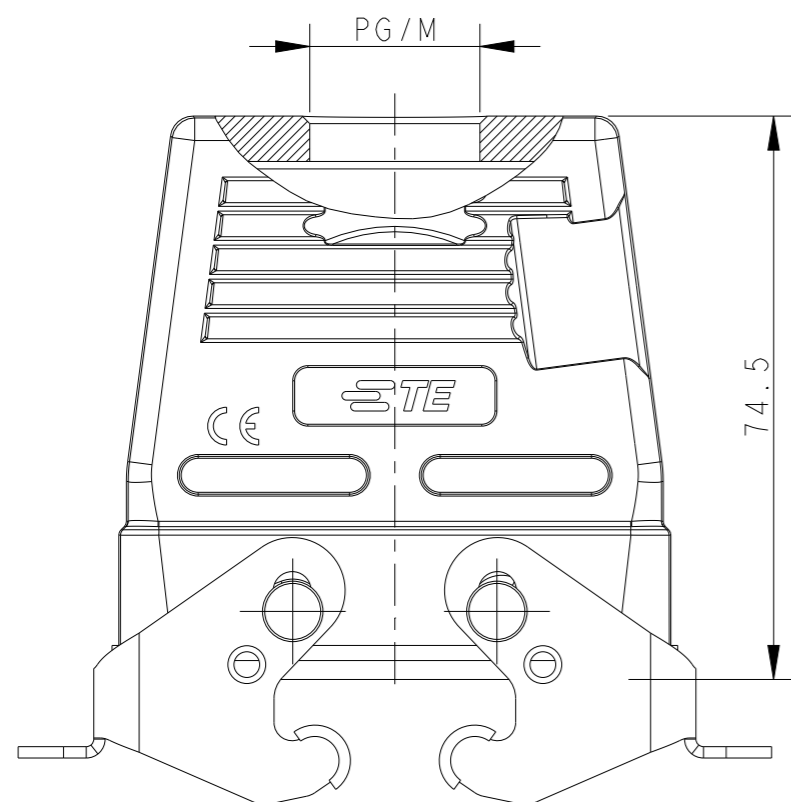


REVISIONS

| P | LTR | DESCRIPTION | DATE | DWN | APVD |
|---|-----|-----------------|-----------|-----|------|
| | A | INITIAL RELEASE | 08JUL2015 | DL | CW |
| | B | ECR-20-008181 | 29JUL2020 | WQR | CW |
| | BI | ECR-21-103925 | 07JUN2021 | WQR | CW |



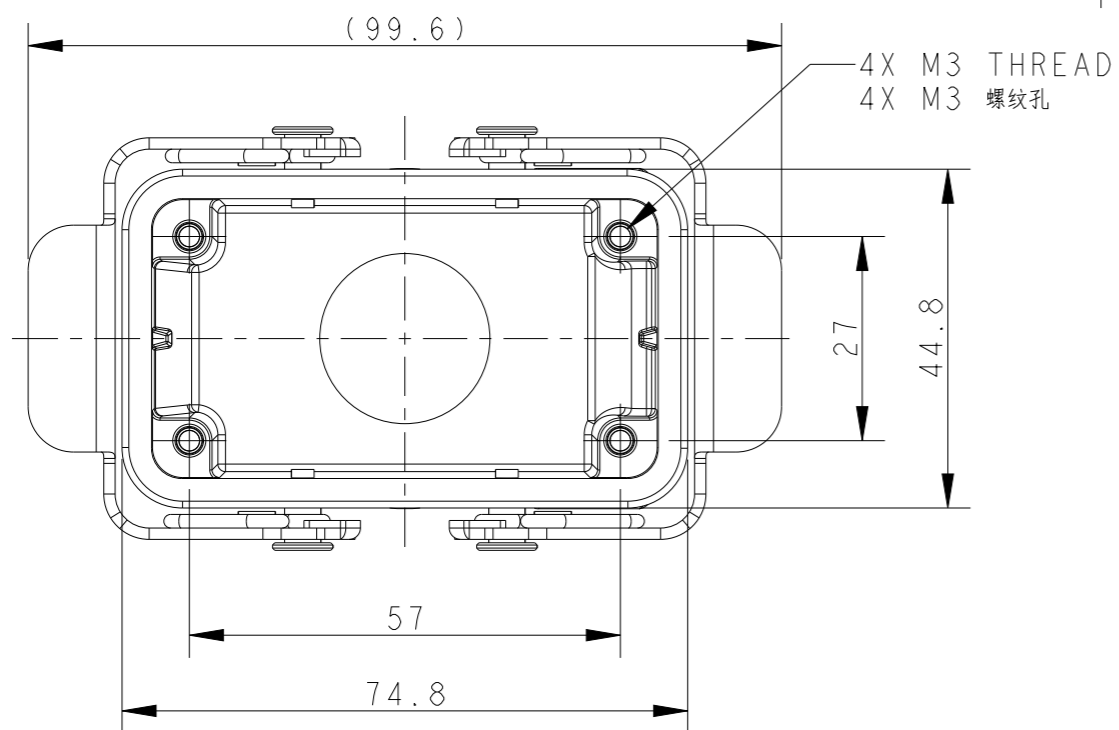
SCALE 3:5

NOTES:


- 1. TECHNICAL CHARACTERISTICS:
 BODY MATERIAL: DIE CAST ALUMINIUM ALLOY
 SURFACE TREATMENT: POWDER-COATED, GRAY
 DEGREE OF PROTECTION: IP65 (MATED)

注释:

- 1. 技术参数:
 主体材料: 铝合金
 表面处理: 粉末喷涂, 灰色
 防护等级: IP65 (配合)



| T1750102116-000 | H10B-TBFH-PG16 | PG16 |
|----------------------|---------------------------|------|
| T1750102121-000 | H10B-TBFH-PG21 | PG21 |
| T1750102129-000 | H10B-TBFH-PG29 | PG29 |
| T1750102132-000 | H10B-TBFH-M32 | M32 |
| ASSEMBLY PART NUMBER | ASSEMBLY PART DESCRIPTION | PG/M |

| | | | | | | | | | |
|--|----|----------|------------|-----------|--|------------------|-----------|------------------|---------------|
| THIS DRAWING IS A CONTROLLED DOCUMENT. | | DWN | DAVID LI | 08JUL2015 |  TE Connectivity | NAME | | H10B-TBFH-PG | |
| DIMENSIONS: | | CHK | CHRIS WANG | 08JUL2015 | | PRODUCT SPEC | | 108-137013 | |
| TOLERANCES UNLESS OTHERWISE SPECIFIED: | | APVD | XU XIANG | 08JUL2015 | | APPLICATION SPEC | | 114-137013 | |
| mm | | MATERIAL | | WEIGHT | | SIZE | CAGE CODE | DRAWING NO | RESTRICTED TO |
| 0 PLC | ±- | - | | - | | A3 | - | ©-T17501021XX000 | |
| 1 PLC | ±- | - | | - | | CUSTOMER DRAWING | | SCALE | 1:1 |
| 2 PLC | ±- | - | | - | | | | SHEET | 1 OF 1 |
| 3 PLC | ±- | - | | - | | | | REV | BI |
| 4 PLC | ±- | - | | - | | | | | |
| ANGLES | ±- | - | | - | | | | | |
| FINISH | - | - | | - | | | | | |