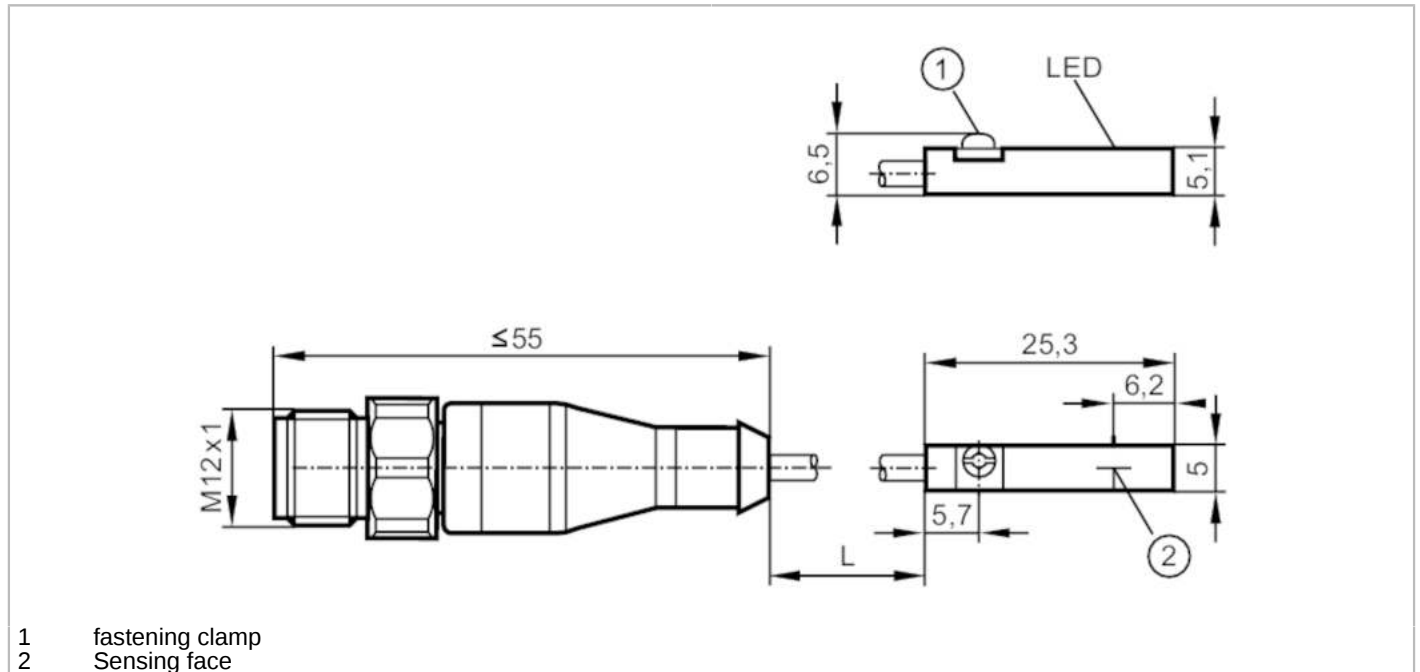


MK5111



T-slot cylinder sensor

MKT3028BBPKG/G/0,3M/-H/US



Product characteristics		
Electrical design		PNP
Output function		normally open
Dimensions	[mm]	25 x 5 x 6.5
Electrical data		
Operating voltage	[V]	10...30 DC; ("supply class 2" to cULus)
Current consumption	[mA]	< 10
Protection class		III
Reverse polarity protection		yes
Max. power-on delay time	[ms]	30
Outputs		
Electrical design		PNP
Output function		normally open
Max. voltage drop switching output DC	[V]	2.5
Permanent current rating of switching output DC	[mA]	100
Switching frequency DC	[Hz]	10000
Short-circuit protection		yes
Overload protection		yes
Detection zone		
Response sensitivity	[mT]	2.8
Travel speed	[m/s]	> 10
Accuracy / deviations		
Hysteresis	[mm]	1.5

MK5111



T-slot cylinder sensor

MKT3028BBPKG/G/0,3M/-H/US

Repeatability	[mm]	< 0.2
---------------	------	-------

Operating conditions

Ambient temperature	[°C]	-25...85
---------------------	------	----------

Protection		IP 65; IP 67; IP 69K
------------	--	----------------------

Tests / approvals

EMC	EN 61000-4-2 ESD	- CD / 8 kV AD
	EN 61000-4-3 HF radiated	10 V/m
	EN 61000-4-4 Burst	2 kV
	EN 61000-4-6 HF conducted	10 V
	EN 55011	class B

MTTF	[years]	2373
------	---------	------

UL approval	UL Approval no.	C003
-------------	-----------------	------

Mechanical data

Weight	[g]	20.9
--------	-----	------

Mounting		flush mountable
----------	--	-----------------

Type of mounting		fastening clamp with combined slot / hexagon socket, width across flats 1.5
------------------	--	---

Cylinder type		T-slot cylinders
---------------	--	------------------

Dimensions	[mm]	25 x 5 x 6.5
------------	------	--------------

Materials		housing: PA; fastening clamp: stainless steel
-----------	--	---

Displays / operating elements

Display	switching status	1 x LED, yellow
---------	------------------	-----------------

Accessories

Items supplied		rubber placeholder: 1 Cable clip: 1
----------------	--	--

Remarks

Pack quantity		1 pcs.
---------------	--	--------

Electrical connection - plug

Cable: 0.3 m, PVC

Connector: 1 x M12; coding: A; Locking: Hexagon nut, rotatable, stainless steel



MK5111

T-slot cylinder sensor

MKT3028BBPKG/G/0,3M/-H/US



Connection

