

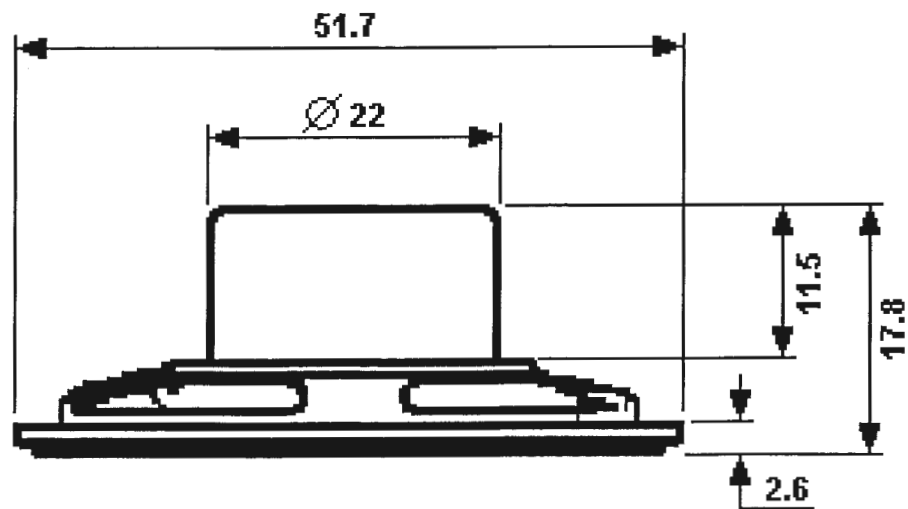
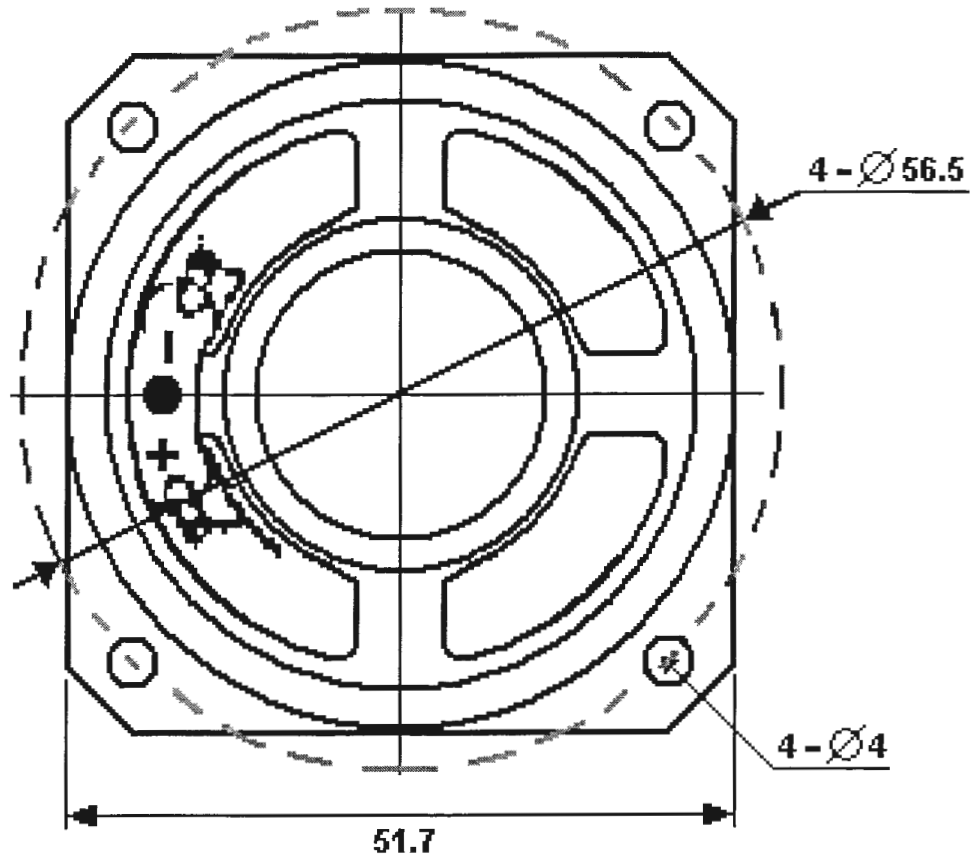
# INTERVOX Speakers from International ©

215 McCormick Drive, Bohemia, NY 11716 (631)952-9595 Fax: (631) 952-9597 e-mail: oemsales@icc107.com

Code: G82

ICC Part No.	<b>S200SA</b>	
1. Voice Coil Imp.	8 $\Omega$ $\pm$ 15%	At 1000 Hz 1 Volt
2. Operation	Must be normal	Program Source 0.2W
3. Buzz & Rattles	Must be normal	Sin Wave 0.2W
4. Resonant Freq.	400 $\pm$ 20% Hz	Without Baffle
5. Output S.P.L.	96 $\pm$ 3 dB/W Mean Value at 0.8, 1.0, 1.2, 1.5 KHz	Measurement @ 0.1M, 0.1W
6. Freq. Response	FO ~ 3400 Hz $\pm$ 10 dB	
7. Rated Power Input	0.2W	
8. Max. Power Input	0.5W	
9. Load Test	After Test Meet Items 2 & 3	White Noise 0.1W 5 Hours
10. Heat Test		70° $\pm$ 2° C 50% R.H. 8 Hours
11. Humidity Test		40° $\pm$ 2° C 50% R.H. 8 Hours
12. Distortion	5% Max.	Rated Power Input 1000 Hz
13. Operating Temperature	-20° to +60° C	
14. Storage Temperature	-30° to +60° C	
15. Magnet	Material: NdFeB      Size: 12.5 X 2.0mm	Weight:
16. Total Weight	1.094 oz. / 31 g $\pm$ 5%	
17. Baffle Opening	44mm	
18. Outside Diameter	51.7 X 51.7mm	(Eliminate Rim: 45mm)
19. Total Height	17.8mm	
22. Yoke Size	22 x 11.5mm	Outside Diameter of Seat: 28mm
21. Mounting	Diameter: 51.7mm	Mounting Hole: 4 x 4mm
22. Materials	Cone: Black Paper	Housing: Metal

## S200SA



CODE: G82
TOLERANCE: $\pm 0.5$
UNIT: mm

# INTERVOX Speakers from International ©

Measuring Object: **S200SA**

Measuring Condition: 2.83 V 1.0 W 0.5 M

Level Range: \_\_\_\_\_ dB

Zero Level (Fundamental) : \_\_\_\_\_ dB

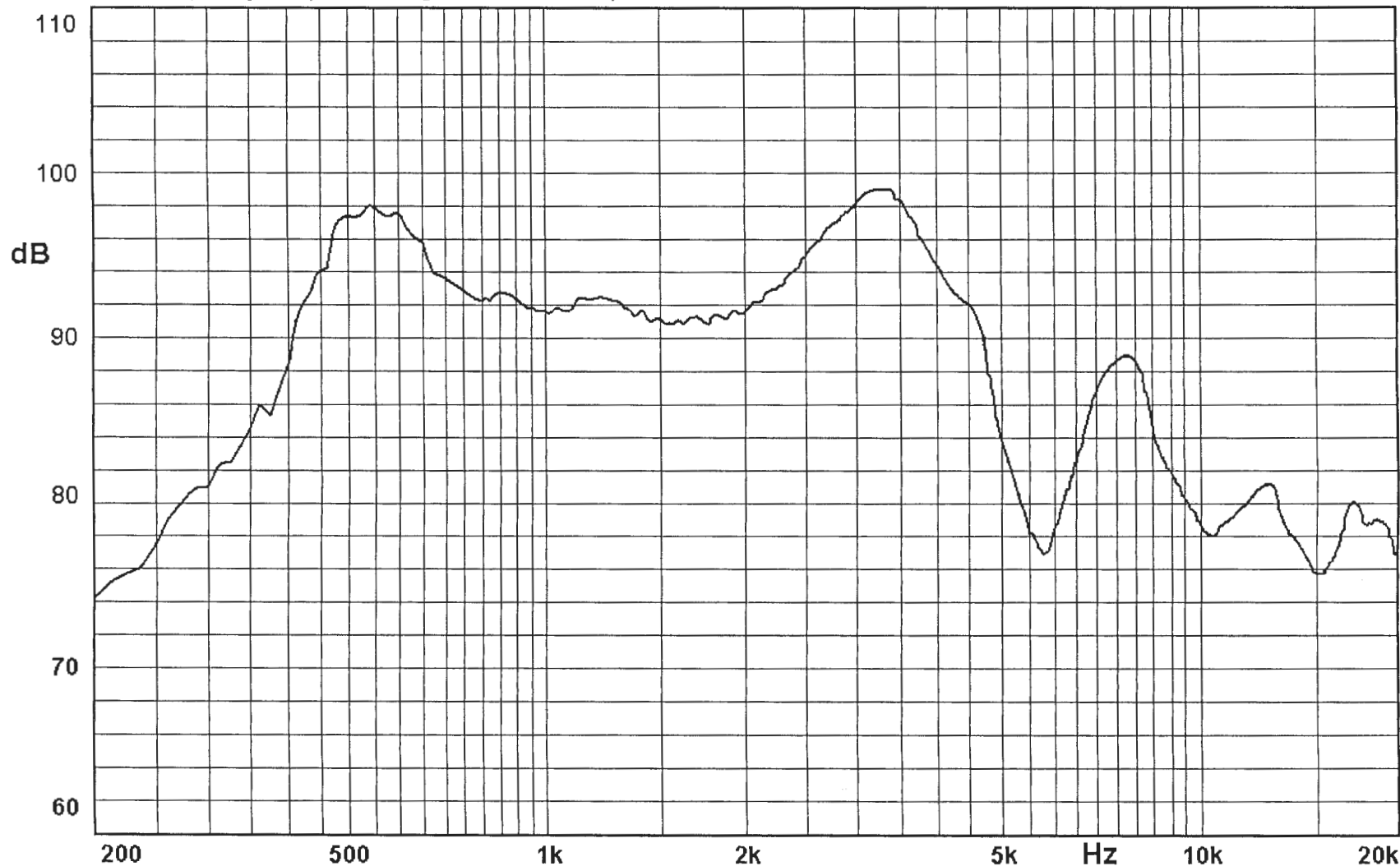
X Axis Speed: \_\_\_\_\_ mm/sec

Impedance Range: \_\_\_\_\_  $\Omega$

Zero Level (Harmonic) : \_\_\_\_\_ dB

Y Axis Speed: \_\_\_\_\_ mm/sec

A: Frequency Response, Magn dB re 20.00  $\mu$ pa



Mode: TSR

