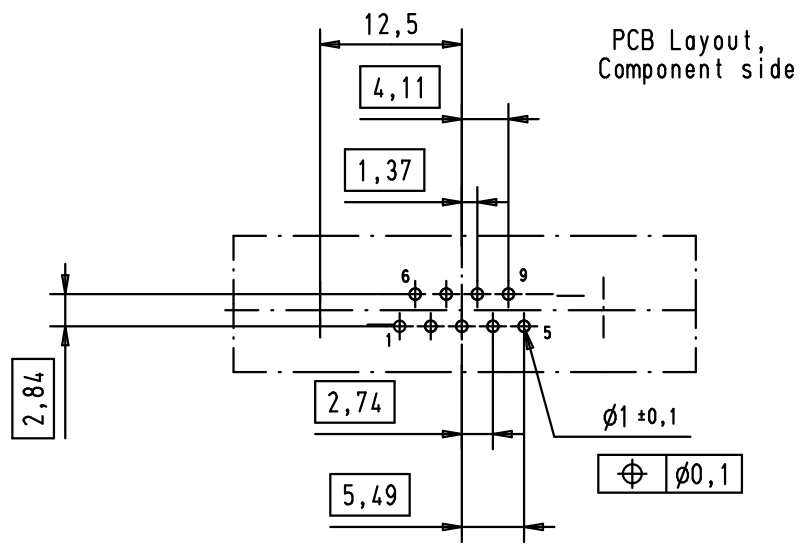
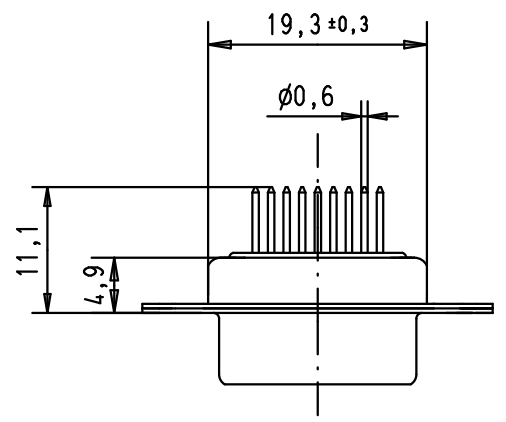
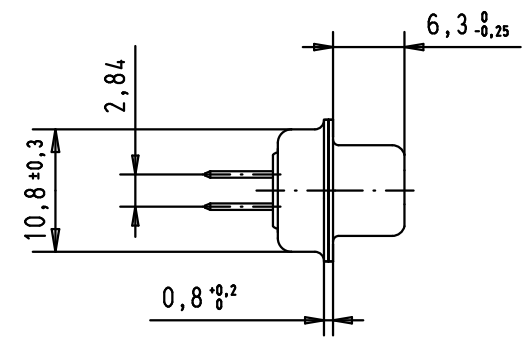
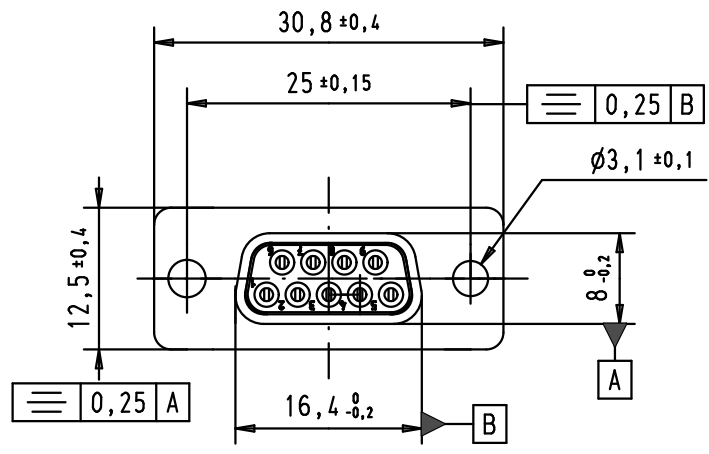


SPECIFICATION

Performance level	PL2
Filter type	C
Capacitance	1000pf±20%
Working Voltage	100v
Current Rating	7.5A
Insulation Resistance	>1GΩ

FREQUENCY (MHz)	ATTENUATION (dB)
5	1dB
10	3dB
50	12dB
100	20dB
500	34dB
1000	30dB



				Dat.	Name	<p>All Dim. in mm Orig. Size DIN A 4</p>
			Detail.	8-JUL-02	CV	
36283	09/12/11	SD	Insp.	09/12/11	JB	
33231	07/10/05	JMDR	Stand.			
32234	05/10/04	TR				
31058	8-JUL-02	CV				
Mod.	Dat.	Name	HARTING EURL F-95972 Paris			

D-Sub, female, straight,
9 Poles, solder pins,
fixing holes

TB 09641127230

Ma?Mstab/
Scale
1.5:1

Blatt/ Page
1 / 1

Sub.