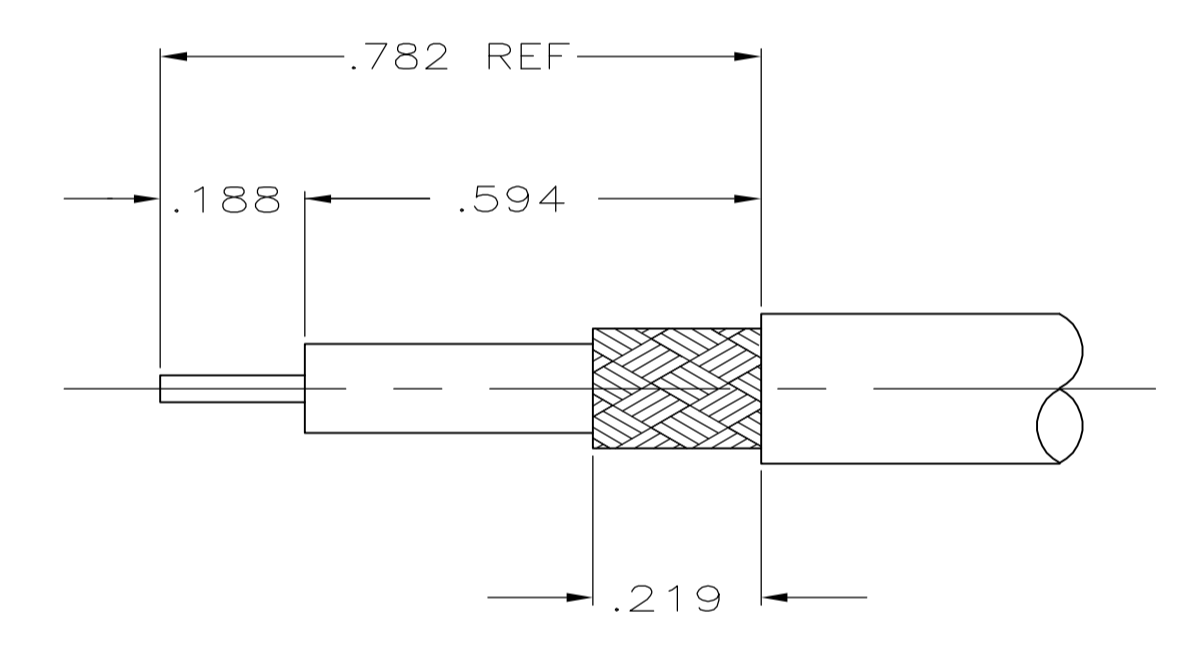
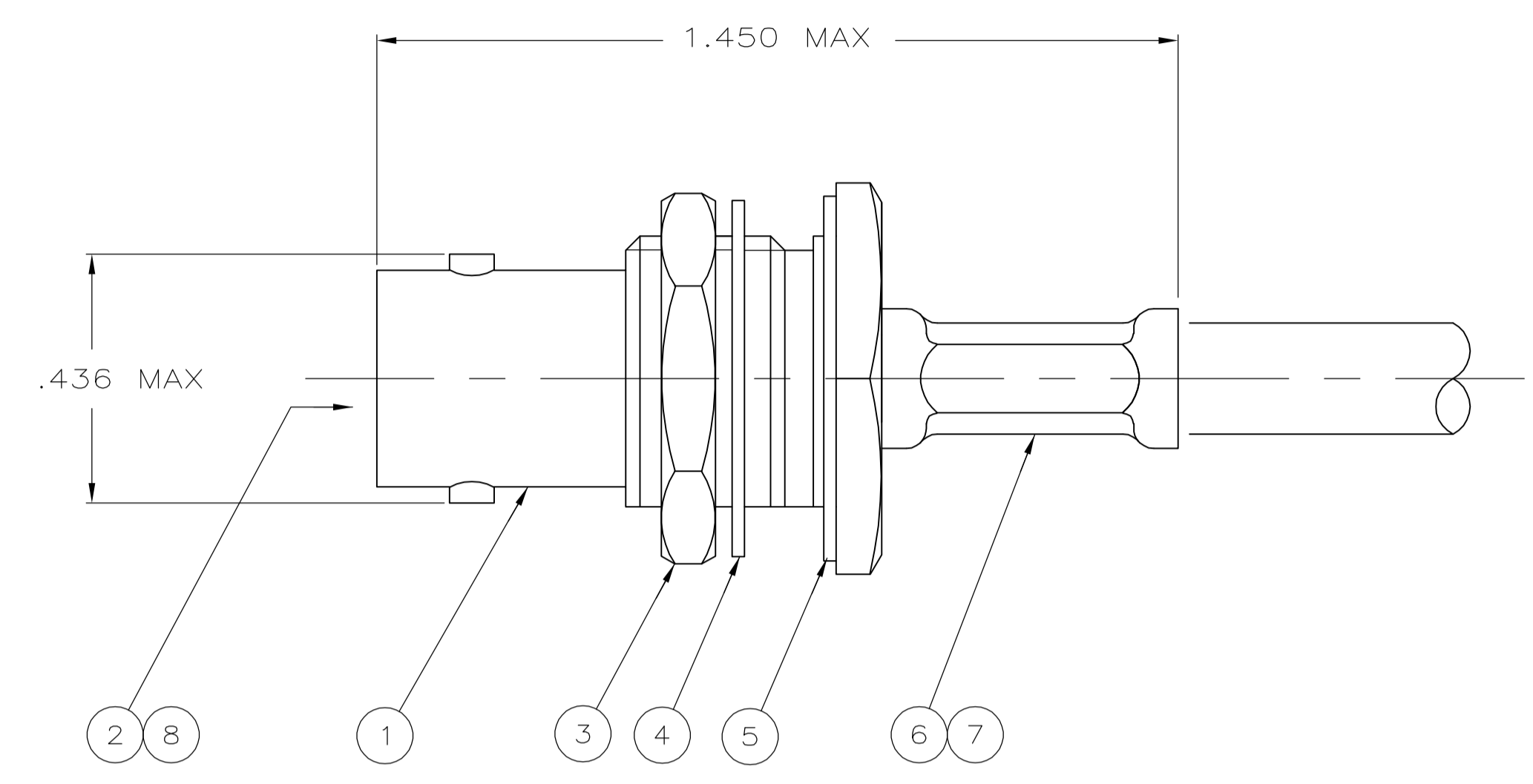
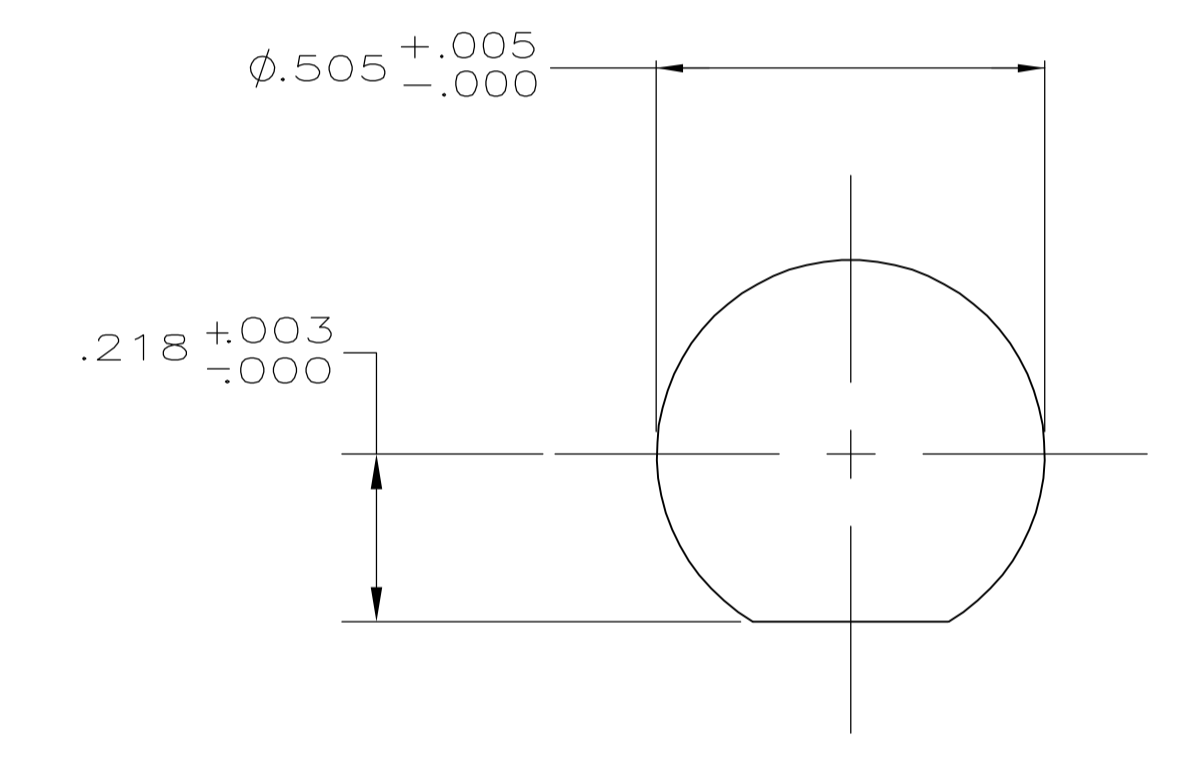


△ USE WITH PRO-CRIMPER 354940-1  
 2. SEE INSTRUCTION SHEET 408-9780



RECOMMENDED STRIP LENGTH



SUGGESTED PANEL CUTOUT

|   |                     |                     |            |                |                 |                |                    |                 |                 |                       |             |
|---|---------------------|---------------------|------------|----------------|-----------------|----------------|--------------------|-----------------|-----------------|-----------------------|-------------|
| RG-174, RG-188 & RG-316                     | .068                | .178                | 58436-3    | 227194-3       | 9-413658-0      | 329633         | 1-329632-2         | 1-329631-2      | 1-413774-5      | 413772-3              | 5413771-3   |
| RG-58/U, 58A/U, 58B/U, 58C/U & BELDEN 88240 | .068                | .213                | 58436-1    | -              | 9-221132-0      | 329633         | 1-329632-2         | 1-329631-2      | 413774-5        | 413772-1              | 5413771-1   |
| FOR USE WITH CABLE                          | CONTACT CRIMP (HEX) | FERRULE CRIMP (HEX) | DIE SET △1 | ⑦ TUBING QTY=1 | ⑥ FERRULE QTY=1 | ⑤ GASKET QTY=1 | ④ LOCKWASHER QTY=1 | ③ JAM NUT QTY=1 | ② CONTACT QTY=1 | ① JACK ASSEMBLY QTY=1 | PART NUMBER |

THIS DRAWING IS A CONTROLLED DOCUMENT.

|                    |  |                         |                     |                  |
|--------------------|--|-------------------------|---------------------|------------------|
| DIMENSIONS: INCHES | TOLERANCES UNLESS OTHERWISE SPECIFIED: | DWG: A. FERNANDEZ-DOCK5 | DATE: 22APR2005     | REV: 00          |
| 0 PLC ± -          | 1 PLC ± -                              | CHK: J. HAVENER         | DATE: 22APR2005     | REV: 00          |
| 2 PLC ± -          | 3 PLC ± .016                           | APVD: J. LIPPERT        | DATE: 22APR2005     | REV: 00          |
| 4 PLC ± -          | ANGLES ± -                             | NAME: J. LIPPERT        | DATE: 22APR2005     | REV: 00          |
| MATERIAL: -        | FINISH: -                              | PRODUCT SPEC: -         | APPLICATION SPEC: - | RESTRICTED TO: - |
| CUSTOMER DRAWING   |  | SIZE: A1                | SCALE: 4:1          | SHEET: 1 OF 1    |
| WEIGHT: -          |  | DRAWING NO: 00779       | DRAWING NO: 5413771 | REV: A1          |

tyco Electronics Tyco Electronics Corporation Harrisburg, PA 17105-3608  
 JACK, BULKHEAD, HEX CRIMP, COMMERCIAL BNC