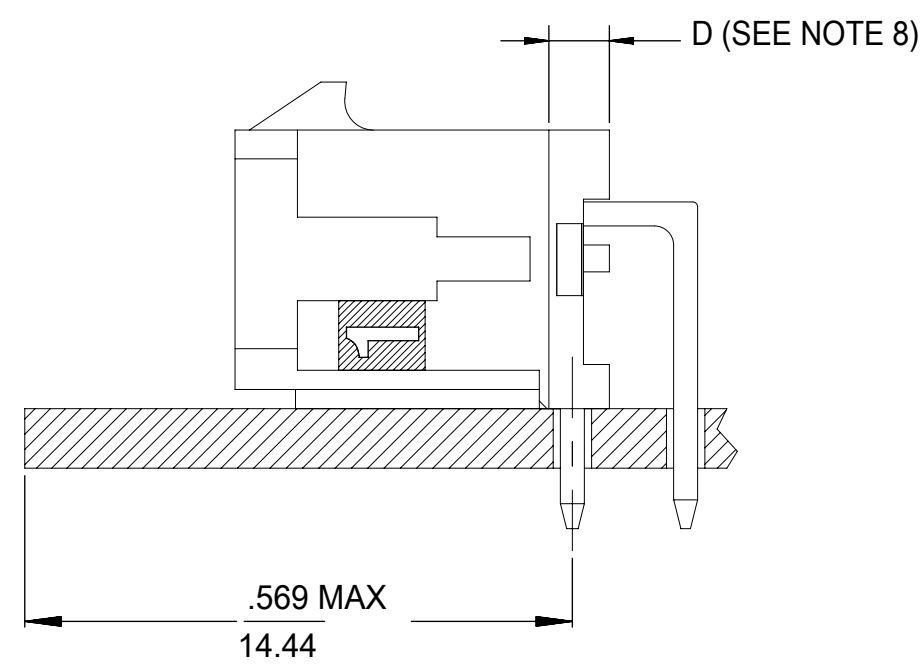
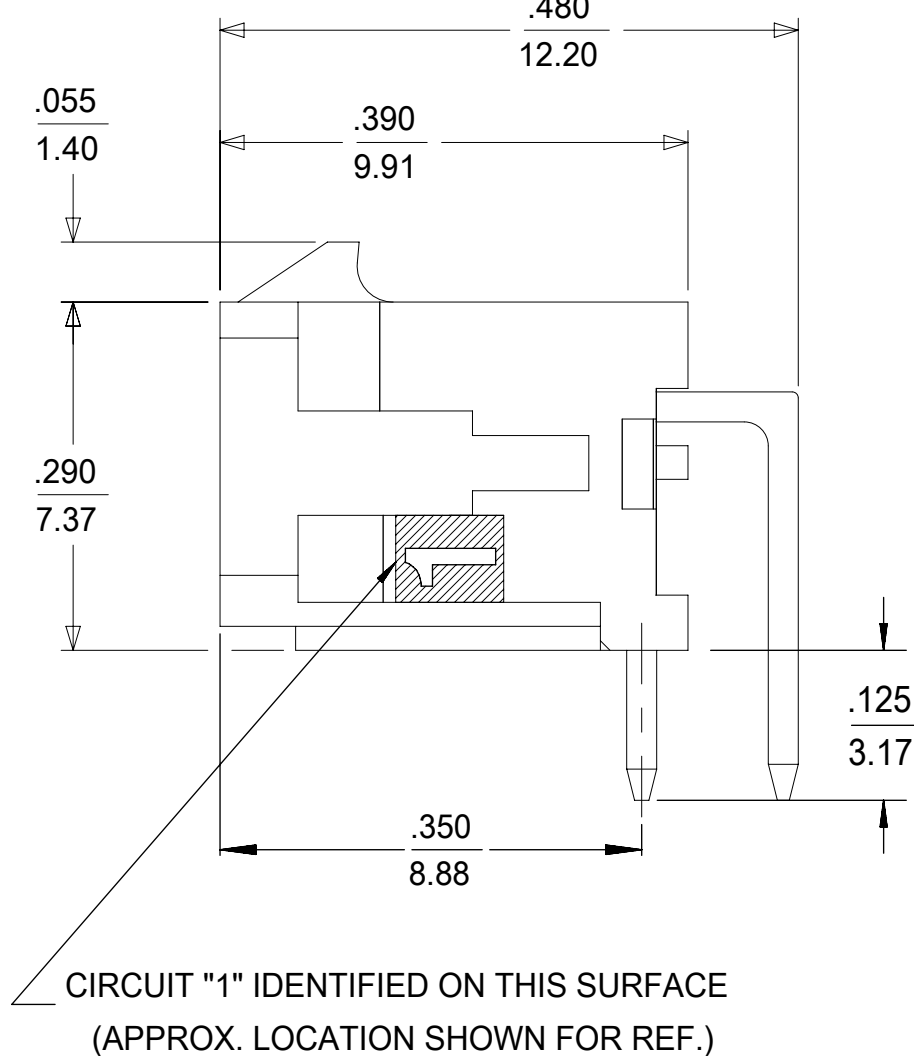
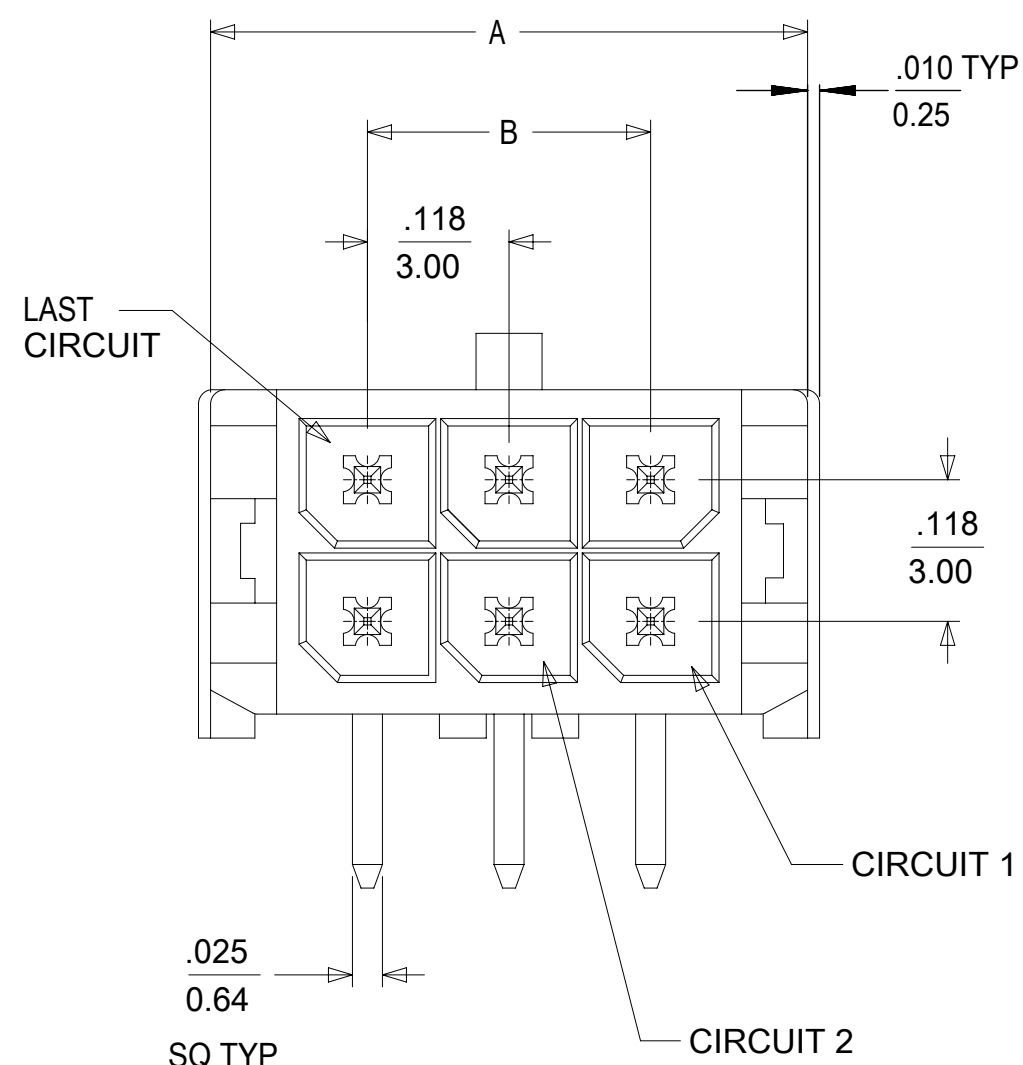


PCB LAYOUT: COMPONENT SIDE  
RECOMMEND PCB THICKNESS: .062/1.57



NOTES:

- HOUSING MATERIAL: GLASS FILLED LIQUID CRYSTAL POLYMER, UL94V-0, COLOR: BLACK  
TERMINAL MATERIAL: BRASS ALLOY
- FINISH:  
A = .000030/(0.00076) MIN. SELECT GOLD IN CONTACT AREA;  
.000100/(0.00254) MIN. SELECT MATTE TIN ON SOLDER TAILS;  
BOTH OVER .000050/(0.00127) MIN. NICKEL PLATE.  
B = .000100/(0.00254) MIN. MATTE TIN OVER  
.000050/(0.00127) MIN. NICKEL PLATE.
- PRODUCT SPECIFICATION: PS-43045
- PACKAGING SPECIFICATION: TAPE AND REEL PACKED PER 430450007-PK
- MATES WITH MICRO FIT (3.0) RECEPTACLE SERIES 43025
- TO AVOID INTERFERENCE BETWEEN RECEPTACLE AND PCB, HEADER MUST BE PLACED WITHIN .569/(14.44) MAX. FROM EDGE OF PCB, AS SHOWN IN LOCATION DETAIL.
- THIS PART CONFORMS TO CLASS B REQUIREMENTS OF COSMETIC SPECIFICATION PS-45499-002.
- CIRCUIT SIZES 2-6: "D" IS .265/6.74 FOR .010/0.25 STEP  
CIRCUIT SIZES 8-24: "D" IS .063/1.60 FOR .010/0.25 STEP.
- TEXT ON PART IS FOR REFERENCE ONLY. TEXT AND TEXT LOCATION MAY VARY DEPENDING ON PART NUMBER AND/OR TOOL.

CKTS	A	B
02	.262 6.65	NA
04	.380 9.65	.118 3.00
06	.498 12.65	.236 6.00
08	.616 15.65	.354 9.00
10	.734 18.65	.472 12.00
12	.852 21.65	.591 15.00
14	.970 24.65	.709 18.00
16	1.088 27.65	.827 21.00
18	1.206 30.65	.945 24.00
20	1.325 33.65	1.063 27.00
22	1.443 36.65	1.181 30.00
24	1.561 39.65	1.299 33.00

CKTS	FINISH A MATERIAL NO:	FINISH B MATERIAL NO:
02	43045-0288	43045-0319
04	43045-0488	43045-0519
06	43045-0688	43045-0719
08	43045-0888	43045-0919
10	43045-1088	43045-1119
12	43045-1288	43045-1319
14	43045-1488	43045-1519
16	43045-1688	43045-1719
18	43045-1888	43045-1919
20		
22		
24		

DOCUMENT STATUS	P1	RELEASE DATE	2022/02/05	00:43:35
-----------------	----	--------------	------------	----------

FUNCTIONAL SYMBOLS	THIS DRAWING CONTAINS INFORMATION THAT IS PROPRIETARY TO MOLEX ELECTRONIC TECHNOLOGIES, LLC AND SHOULD NOT BE USED WITHOUT WRITTEN PERMISSION			
	DIMENSION UNITS	SCALE	CURRENT REV DESC: 2CKT TOOLED	
$F_A = 0$	INCH/MM	NTS		
$F_C = 0$	GENERAL TOLERANCES (UNLESS SPECIFIED)			
$F_P = 0$	4 PLACES	±	±	
	3 PLACES	±	± 0.01	
DIVISIONAL SYMBOLS	2 PLACES	± 0.25	± 0.014	
	1 PLACE	± 0.36	±	
0 PLACES	±	±		
	ANGULAR TOL	± 0.5 °		
DRAFT WHERE APPLICABLE MUST REMAIN WITHIN DIMENSIONS		THIRD ANGLE PROJECTION	DRAWING	SERIES
			C-SIZE	43045
		EC NO: 630641	DRWN: LSCHWALLER	2020/07/10
		CHK'D: SSOUSEK	APPR: FSMITH	2022/02/04
		INITIAL REVISION:	DRWN: SSOUSEK	2010/05/19
		APPR: FSMITH		2016/08/23
		DOCUMENT NUMBER	DOC TYPE	DOC PART
		SD-43045-031	PSD	001
		CUSTOMER	SHEET NUMBER	
		GENERAL MARKET	1 OF 1	