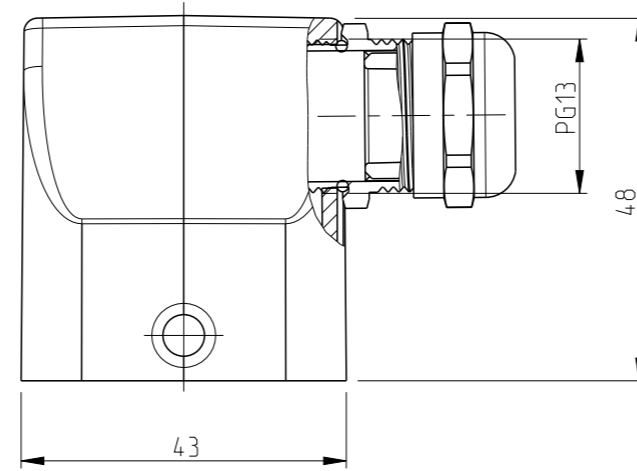
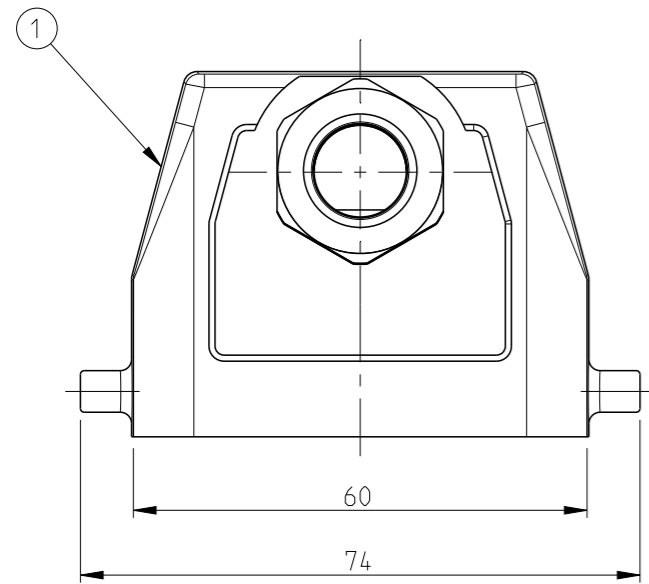


P	LTR	DESCRIPTION	DATE	DWN	APVD
B2		RELEASED AS PER ECR-07-030416	17.12.07	SP	TS
C		ECR-20-007544	08JUN2020	QY	JB

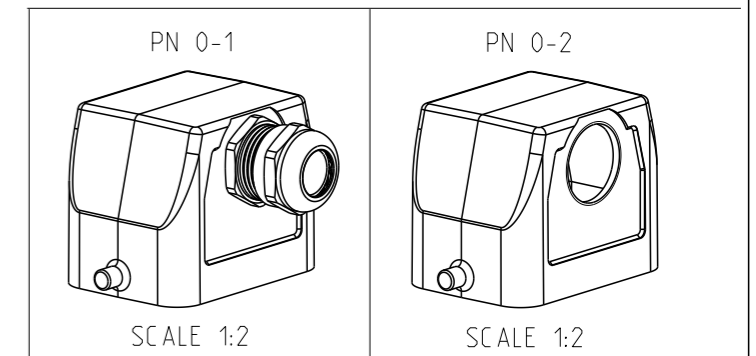
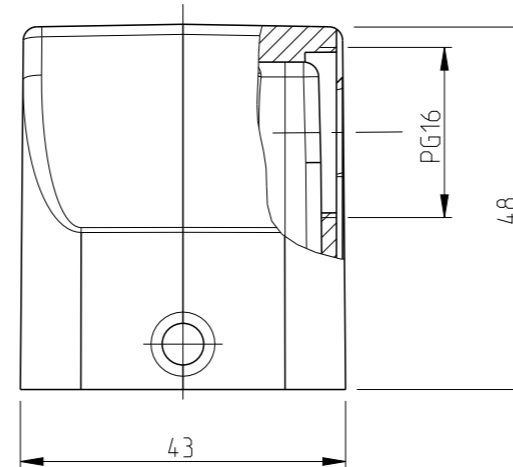
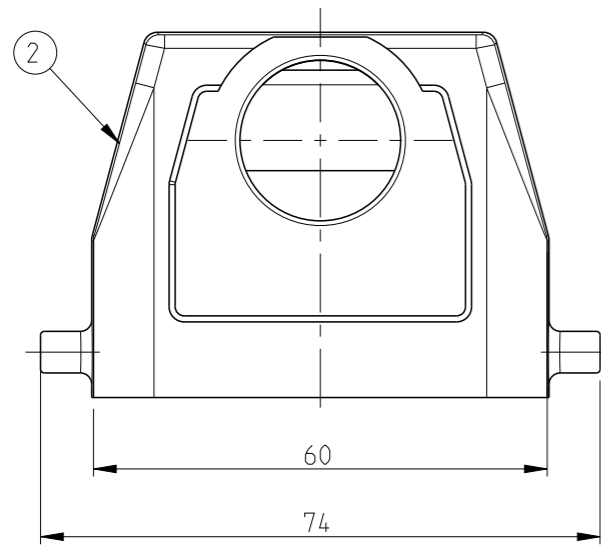
PN 0-1



NOTES

- 1 MATERIAL: HOUSING: ALUMINIUM DIECASTING ALLOY
- 2 SURFACE:- VARNISH-GREY
- 3 VARNISH ON THE INSIDE NOT NECESSARY
- 4 PACKAGING
PACKAGING QUANTITY: 5 PIECES IN BOX

PN 0-2



REV	DESCRIPTION	MATERIAL	SURFACE	COLOR	ITEM NO	NOTES
1	- Hood HB.6 PG16	ALUMINIUM	-	GREY	2	
-	1 Hood HB.6 PG13	ALUMINIUM	-	GREY	1	
0-2	0-1	DESCRIPTION	MATERIAL	SURFACE	COLOR	ITEM NO
		HB.6.STW .1.13				
		HB.6.STW .1.16.G				

THIS DRAWING IS A CONTROLLED DOCUMENT.

DIMENSIONS: mm	TOLERANCES UNLESS OTHERWISE SPECIFIED: n. ISO 8015 n. ISO 2768-mH-E n. DIN 15901-120
	0 PLC ±
	1 PLC ±
	2 PLC ±
	3 PLC ±
	4 PLC ±
	ANGLES ±
MATERIAL	FINISH
-	-

DWN SCHNEIDER 30.03.00
CHK SCHNEIDER 30.03.00
APVD



PRODUCT SPEC	NAME	HOOD HB.6.STW		
APPLICATION SPEC	SIZE	CAGE CODE	DRAWING NO	RESTRICTED TO
WEIGHT	A3	00779	C-1108770	
CUSTOMER DRAWING	SCALE	SHEET	REV	
	1:1	1 OF 1	C	