

MATERIALS AND FINISHES

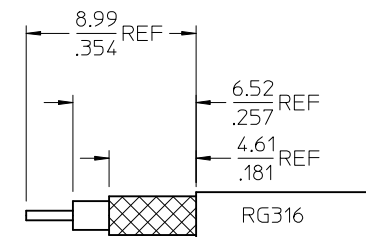
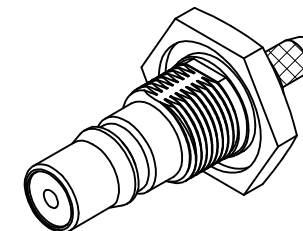
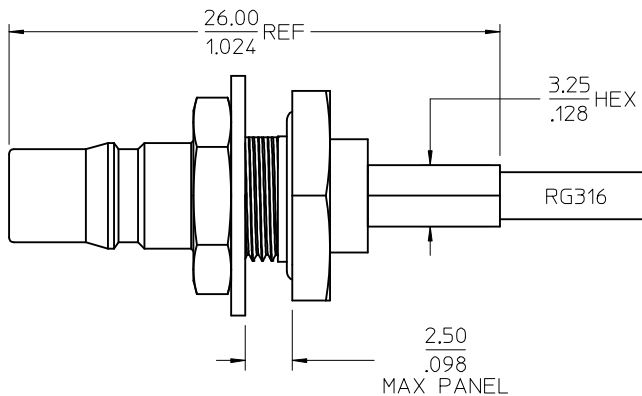
BODY: BRASS
PLATED TRI-METAL

CENTER CONTACT BERYLLIUM COPPER
PLATED GOLD

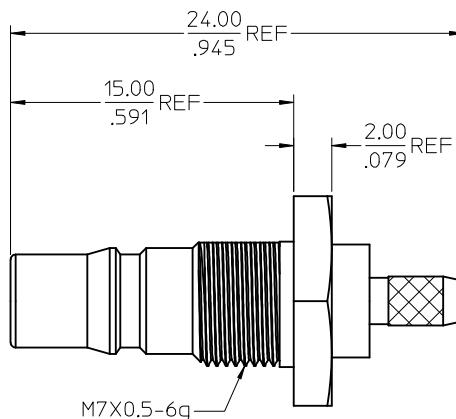
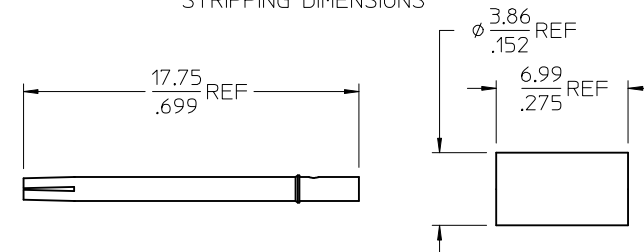
INSULATOR TEFLON

CRIMP TUBE, JAM NUT: BRASS
PLATED NICKEL

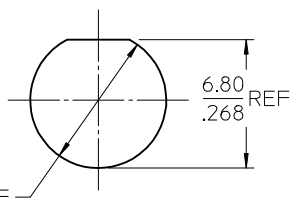
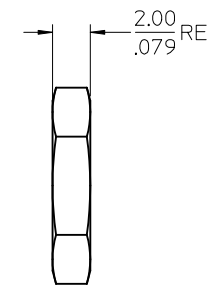
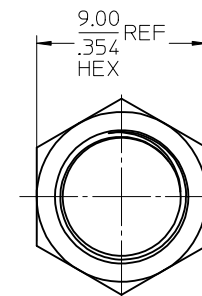
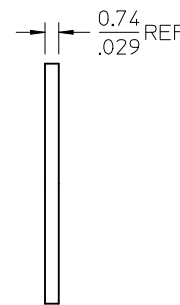
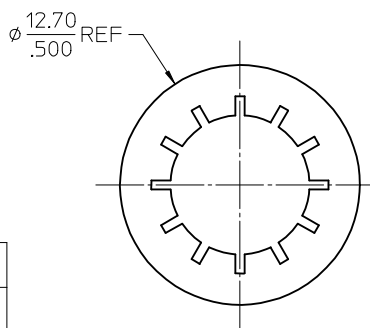
LOCKWASHER: PHOSPHER BRONZE
PLATED TRI-METAL



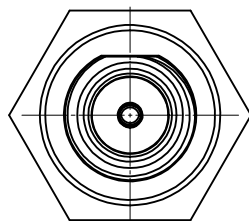
STRIPPING DIMENSIONS



M7X0.5-6g



RECOMMENDED
PANEL CUTOUT



73254-0101	ONE PIECE 73254-0100 PER BAG
73254-0100	TRAY
PART NO.	DESCRIPTION

CHG:	UPDATE PACKAGING	2015/05/25	QUALITY SYMBOLS	GENERAL TOLERANCES (UNLESS SPECIFIED)	DIMENSION STYLE	SCALE	DESIGN UNITS	THIRD ANGLE PROJECTION
	FOR 73254-0100			PER RF15-E213	mm	INCH	5:1	METRIC
EC NO:	URF2015-0659	2015/05/25	▽=0	4 PLACES ±	DRAWN BY	DATE	QMA JACK, RG316	
DRWNR:	YEH	2015/05/25	▽=0	3 PLACES ±	TEF	2003/10/07	50 OHMS, EWR-2192	
CHKD:	YEH	2015/05/25	▽=0	2 PLACES ±	SSS	2003/10/07	QMA-JC	
APPR:	YCHENG	2015/05/29	▽=0	1 PLACE ±	APPROVED BY	DATE	molex	
REV:	B4			0 PLACE ±	GMH	2003/10/07	DOCUMENT NO. SD-73254-010	
				ANGULAR ± 2 °	MATERIAL NO.		SHEET NO. 1 OF 1	
				DRAFT WHERE APPLICABLE MUST REMAIN WITHIN DIMENSIONS	SIZE		THIS DRAWING CONTAINS INFORMATION THAT IS PROPRIETARY TO MOLEX INCORPORATED AND SHOULD NOT BE USED WITHOUT WRITTEN PERMISSION	

MATERIALS AND FINISHES

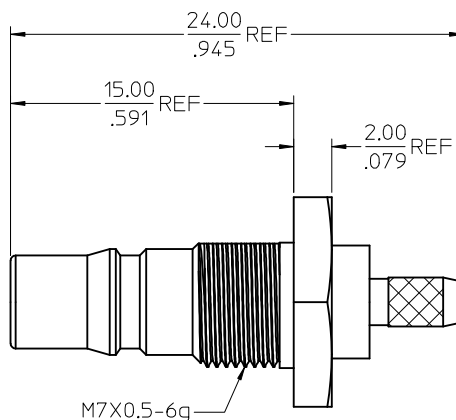
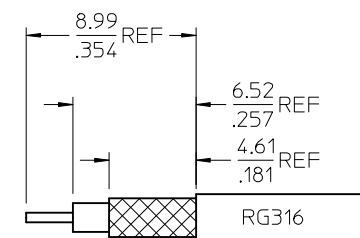
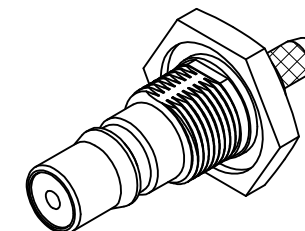
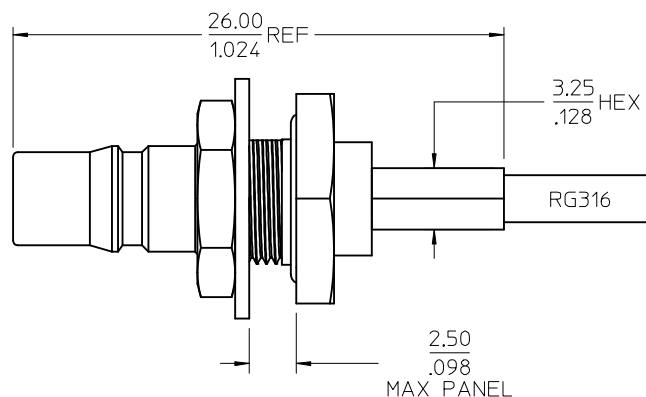
BODY: BRASS
PLATED TRI-METAL

CENTER CONTACT BERYLLIUM COPPER
PLATED GOLD

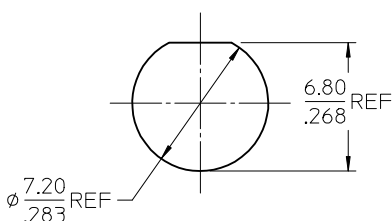
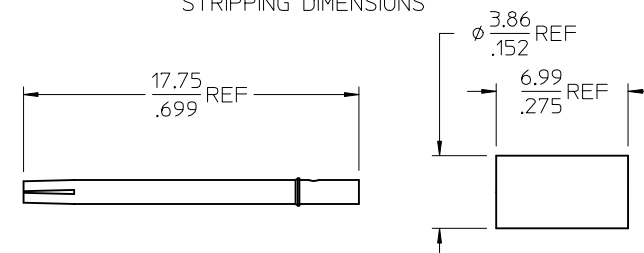
INSULATOR TEFLON

CRIMP TUBE, JAM NUT: BRASS
PLATED NICKEL

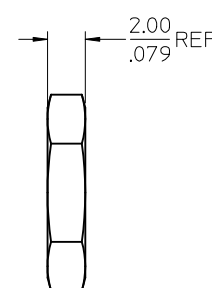
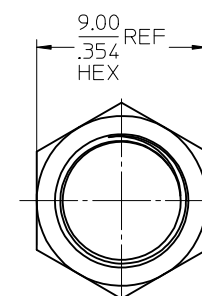
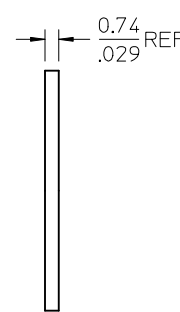
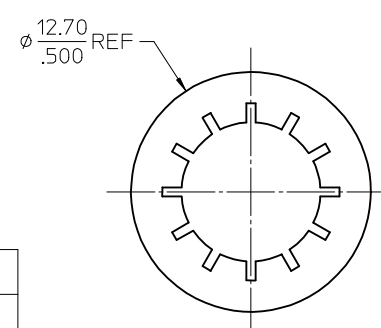
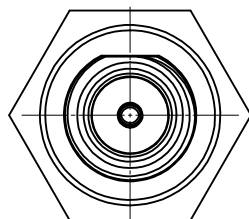
LOCKWASHER: PHOSPHER BRONZE
PLATED TRI-METAL



STRIPPING DIMENSIONS



RECOMMENDED
PANEL CUTOUT



73254-0101	ONE PIECE 73254-0100 PER BAG
73254-0100	TRAY
PART NO.	DESCRIPTION

CHG:	UPDATE PACKAGING FOR 73254-0100 PER RF15-E213
EC NO:	URF2015-0659
DRWNR:	YEH
CHKD:	2015/05/25
APPR:	YCHENG
REV:	B4

QUALITY SYMBOLS	▽=0
	▽=0
	▽=0

GENERAL TOLERANCES (UNLESS SPECIFIED)	mm	INCH
4 PLACES	± .005	± .0002
3 PLACES	± .003	± .0001
2 PLACES	± .002	± .0001
1 PLACE	± .001	± .0001
0 PLACE	± .001	± .0001
ANGULAR ± 2 °		
DRAFT WHERE APPLICABLE MUST REMAIN WITHIN DIMENSIONS		

DRAWN BY	TEF	DATE	2003/10/07
CHECKED BY	SSS	DATE	2003/10/07
APPROVED BY	GMH	DATE	2003/10/07
MATERIAL NO.	SEE TABLE		

SCALE	5:1	DESIGN UNITS	METRIC	THIRD ANGLE PROJECTION
QMA JACK, RG316 50 OHMS, EWR-2192 QMA-JC				
molex				
DOCUMENT NO.	SD-73254-010			SHEET NO.
				1 OF 1
THIS DRAWING CONTAINS INFORMATION THAT IS PROPRIETARY TO MOLEX INCORPORATED AND SHOULD NOT BE USED WITHOUT WRITTEN PERMISSION				