

10120124 - X 0 E - X X X LF

LEAD-FREE DESIGNATION ONLY WITH APPLICABLE PLATING CODES

8-COLUMN DIFFERENTIAL SIGNAL

LETTER	PLATING (SEE NOTE 6)	
	APPLICATION	TYPE (REFERENCE)
B	TELCORDIA CO	0.76µm GOLD or GXT
C	TELCORDIA UE	1.27µm GOLD
D	TELCORDIA CO	0.76µm GOLD or GXT, LEAD-FREE
E	TELCORDIA UE	1.27µm GOLD, LEAD-FREE

NUMBER	GUIDE PIN STYLE (SEE NOTE 8)
0	STANDARD GUIDE PIN, MACHINED
1	STANDARD GUIDE PIN, ROLLED

MODULE DESCRIPTION	LETTER DESIGNATION REPRESENTED IN DASH NUMBER										BASE MODULE	
LEFT POLARIZING GUIDANCE MODULE (SEE SHEET 6)	N	J	A	B	C	D	E	F	G	H		
	NO KEY NO GUIDE PIN											
RIGHT POLARIZING GUIDANCE MODULE (SEE SHEET 7)	Z	Y	P	Q	R	S	T	U	V	W		
	NO KEY NO GUIDE PIN											
OPEN MODULE (TWO WALL) (SEE SHEET 2)	0 (ZERO)											
LEFT WALL MODULE (SEE SHEET 3)	L											
RIGHT WALL MODULE (SEE SHEET 4)	M											
FOUR WALL MODULE (SEE SHEET 5)	1 (ONE)											

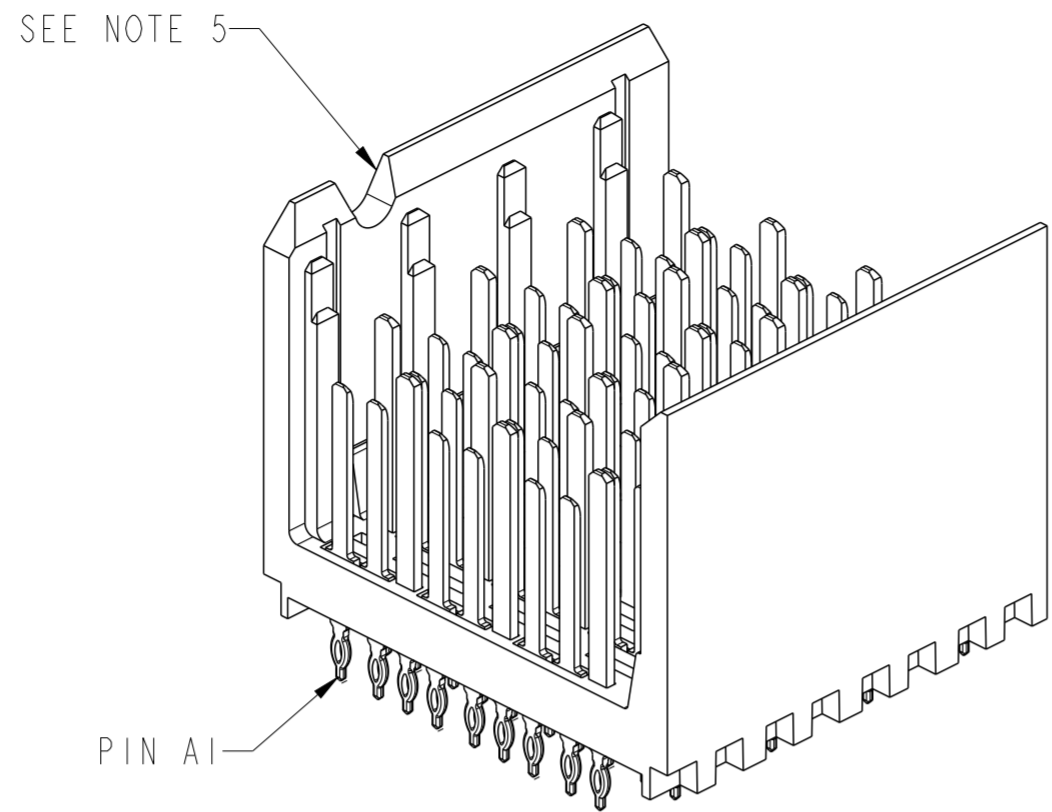
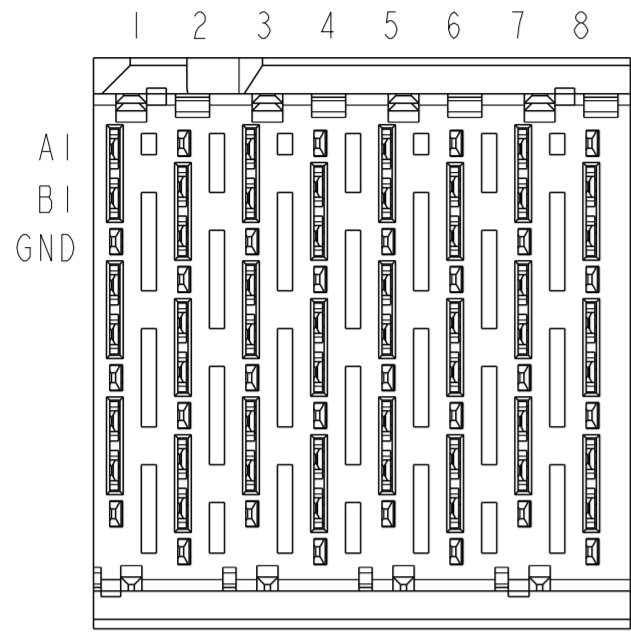
NUMBER	CONTACT MATING WIPE LENGTH		COMPLIANT TAIL TYPE (SEE NOTE 9)
	SIGNAL	GROUND	
1	2 MM	4 MM	0.55 (0.0217") DRILL
2	3 MM	4 MM	0.55 (0.0217") DRILL
3	2 MM	4 MM	0.45 MICRO (0.0177") DRILL
4	3 MM	4 MM	0.45 MICRO (0.0177") DRILL
5	2 MM	3 MM	0.55 (0.0217") DRILL
6	3 MM	3 MM	0.55 (0.0217") DRILL
7	2 MM	3 MM	0.45 MICRO (0.0177") DRILL
8	3 MM	3 MM	0.45 MICRO (0.0177") DRILL

FOR CUSTOM-LOADED MODULES, SEE INDIVIDUAL CUSTOM DRAWINGS WITH THE DRAWING-NUMBER FORMAT OF 10120124-XXXX, WHERE: "X" DENOTES MODULE TYPE PER CHART ON THIS SHEET "YYYY" IS A SEQUENTIAL NUMBER BEGINNING WITH "0001".

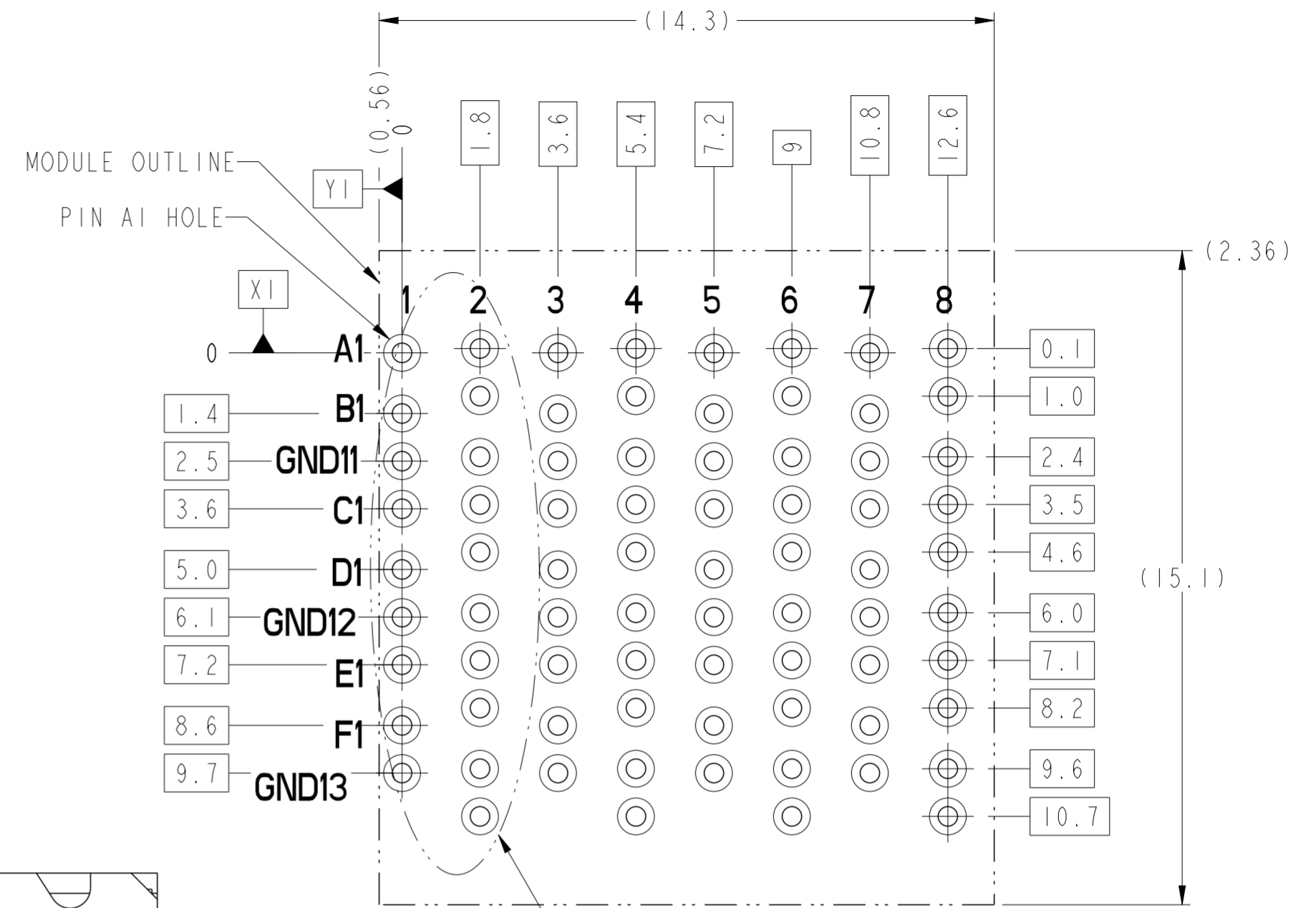
	UNGROUND	GROUND
FHS	Ø2.35-Ø2.55	Ø2.35-Ø2.55
PAD	N/A	Ø5.50
PLATED	NO	YES
DRILL(mm)	2.44mm	2.58mm
DRILL(in)	0.096"	0.1015"

SCREW P/N	DESCRIPTION	BOARD THICKNESS
10091790-002LF	#2-56 X 0.375" LG. PHILIPS PANHEAD W/SQ CONICAL WASHER	1.60-5.00mm
10091790-003LF	#2-56 X 0.375" LG. PHILIPS PANHEAD W/SQ CONICAL WASHER	5.00-10.00mm

spec ref	-	dr	Yong-Keat Lim	2012/02/17	projection	MM	size	A2	scale	5:1
tolerance std	ISO 406 ISO 1101	eng	Sandar Soe	2013/03/20	chr	-	ecn no	ELX-8-14229-1	rel level	Released
surface	ISO 1302	appr	Chen-Hong Tan	2013/04/09	product family	XCEDE HD	cat. no.	10120124	rev	B
TOLERANCES UNLESS OTHERWISE SPECIFIED		www.fci.com		Product - Customer Drw		sheet 1 of 8				



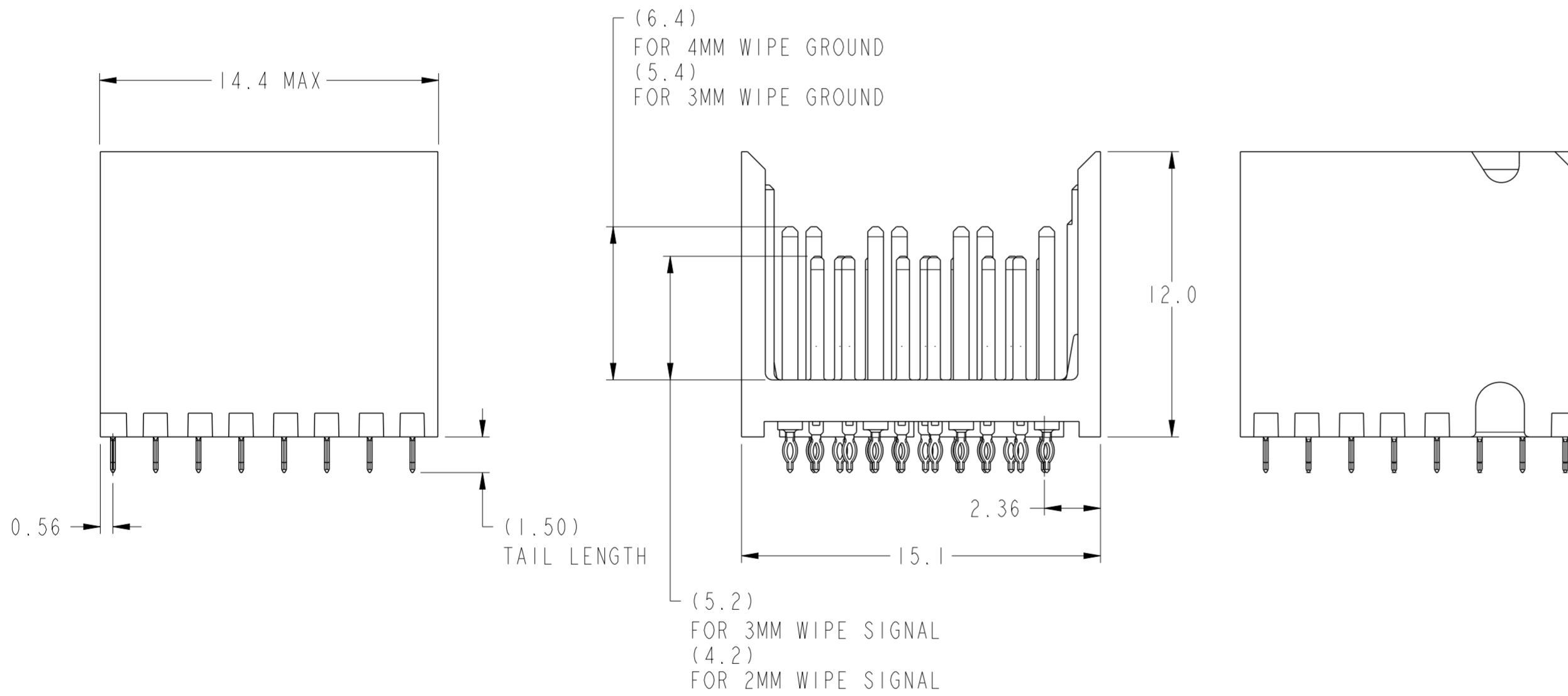
**OPEN WALL MODULE**



SEE DETAIL A  
ON SHEET 8 FOR PINOUT DETAILS

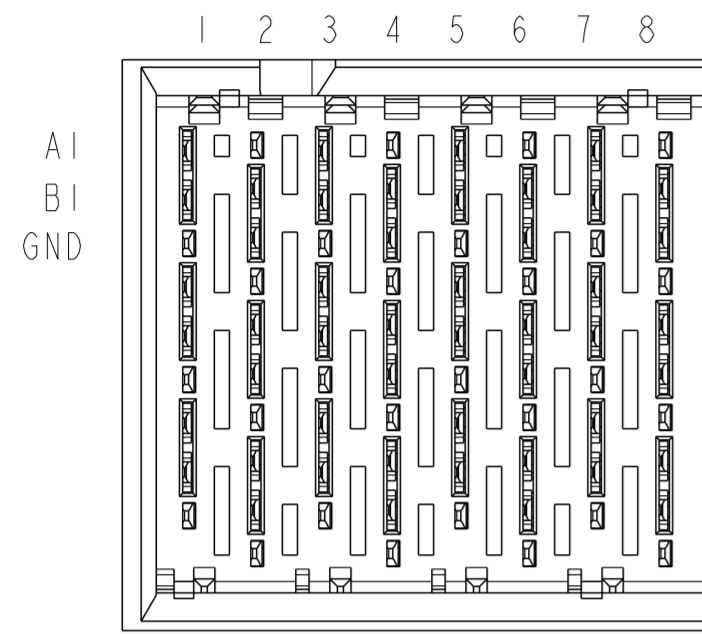
BP HOLE PATTERN COMPONENT SIDE

**OPEN WALL MODULE BACKPLANE FOOTPRINT**

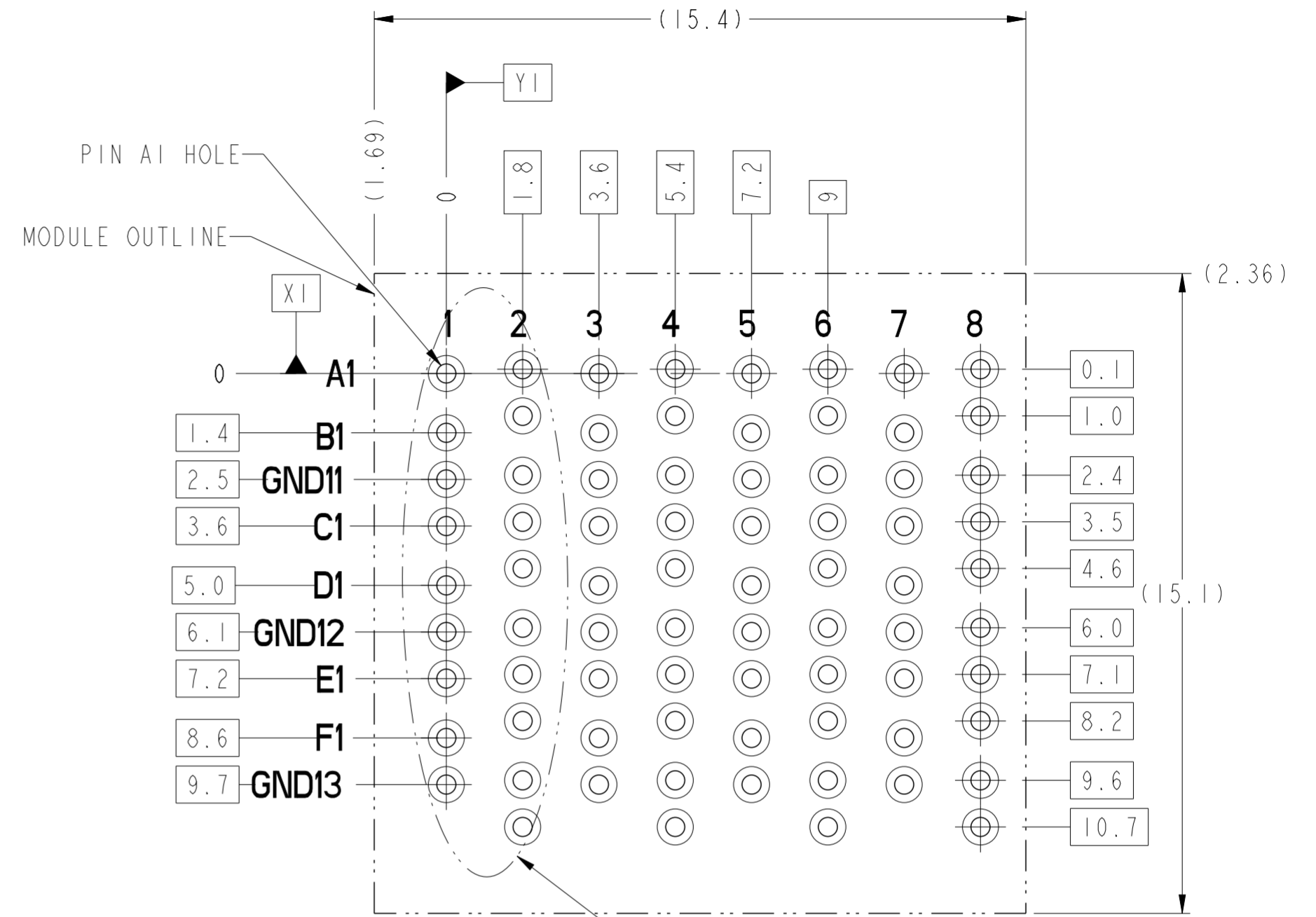
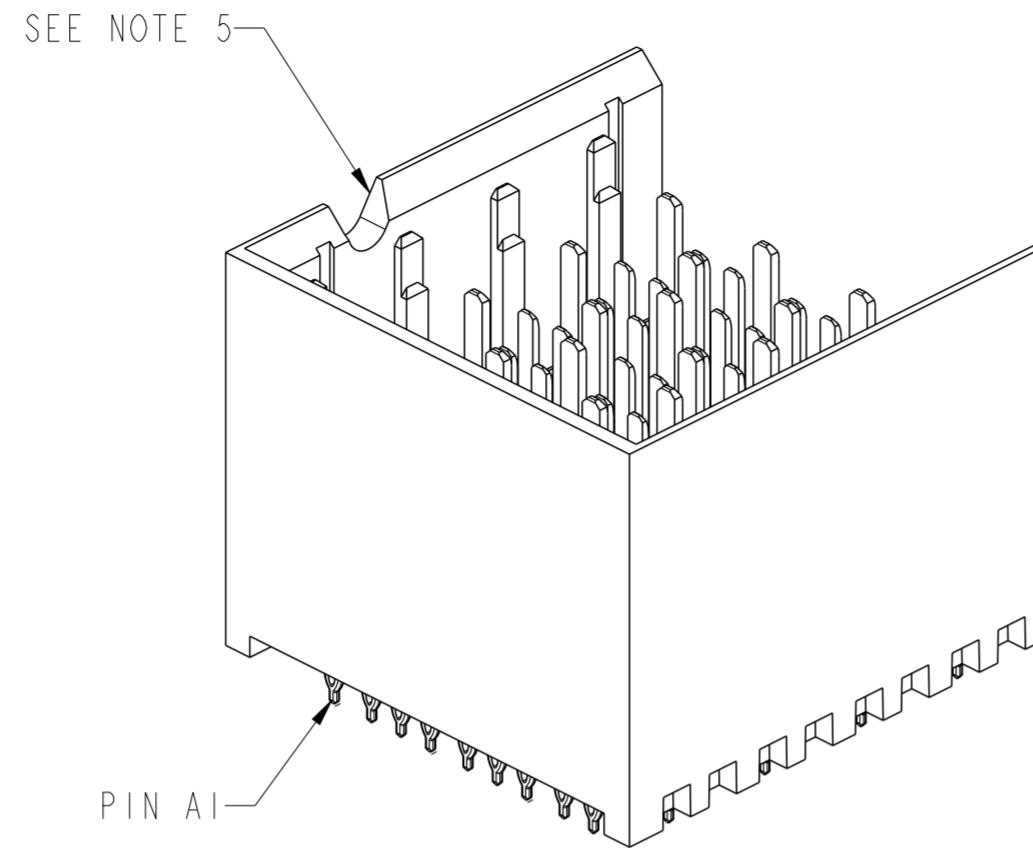


Copyright FCI.

spec ref	-	dr	Yong-Keat Lim	2012/02/17	projection	MM	size	A2	scale	5:1	
tolerance std	ISO 406 ISO 1101	eng	Sandar Soe	2013/03/20			ecn no	ELX-8-14229-1	rel level	Released	
TOLERANCES UNLESS OTHERWISE SPECIFIED		chr	-	product family							XCEDE HD
surface	ISO 1302	appr	Chen-Hong Tan	2013/04/09	linear	0.X	±0.3		title XCEDE HD VERTICAL HEADER 3 PAIR, 8 COLUMN STITCH HEADER	dwg no 10120124	rev B
				angular	0°	±2°	www.fci.com				
							cat. no.				

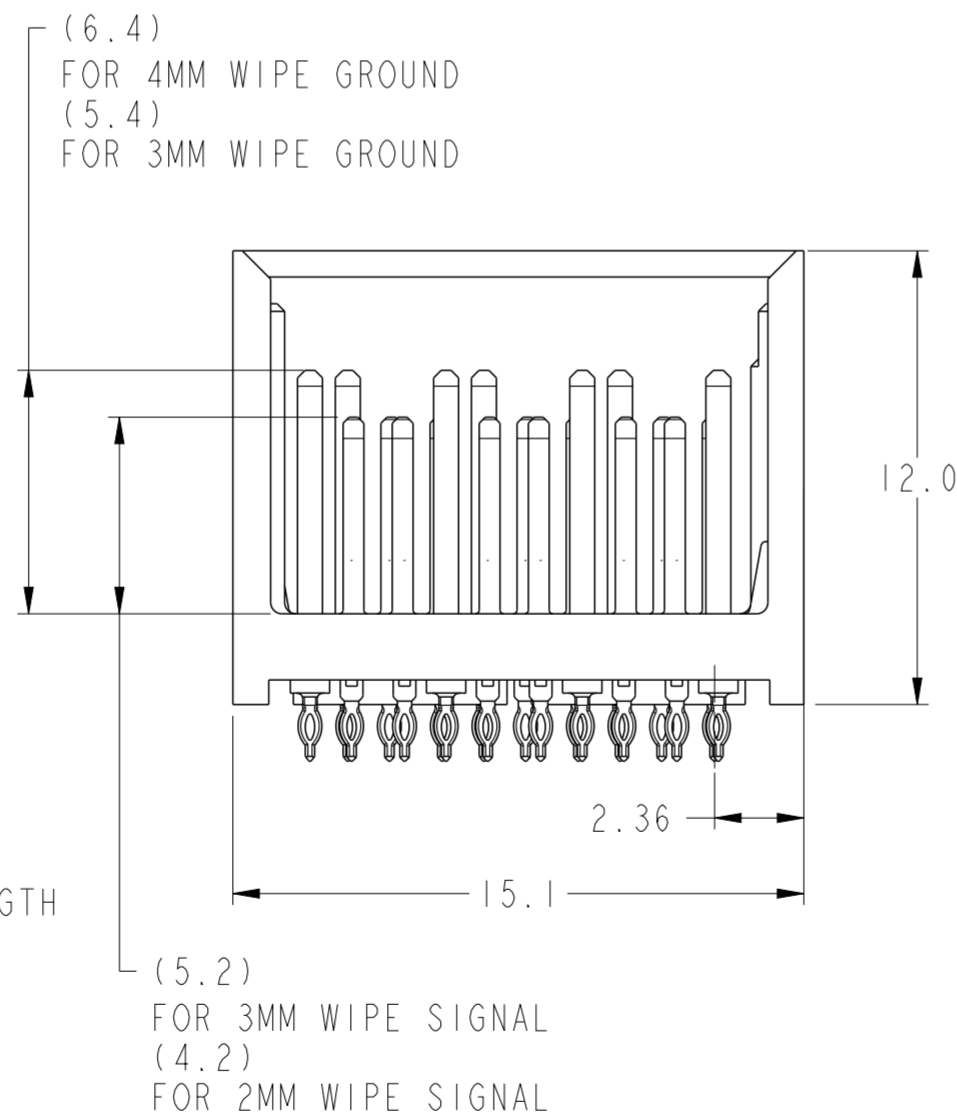
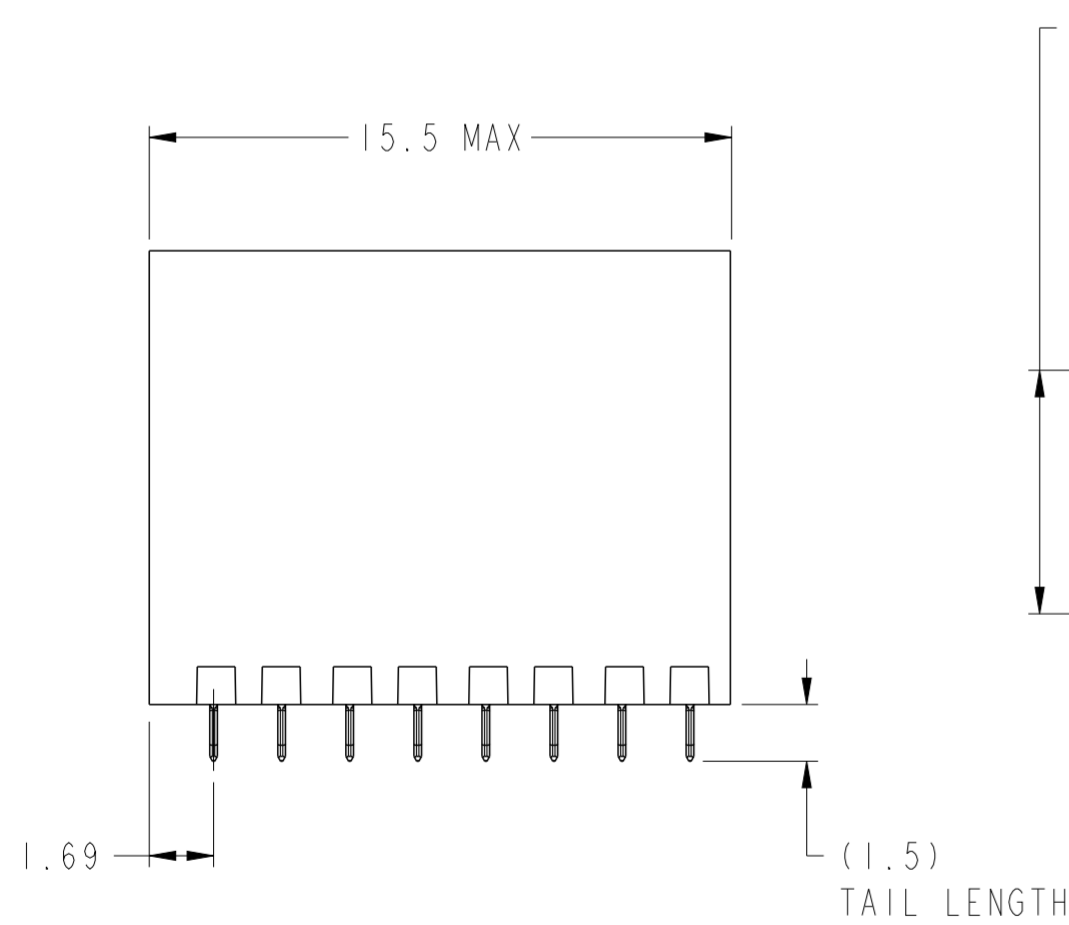


LEFT WALL MODULE

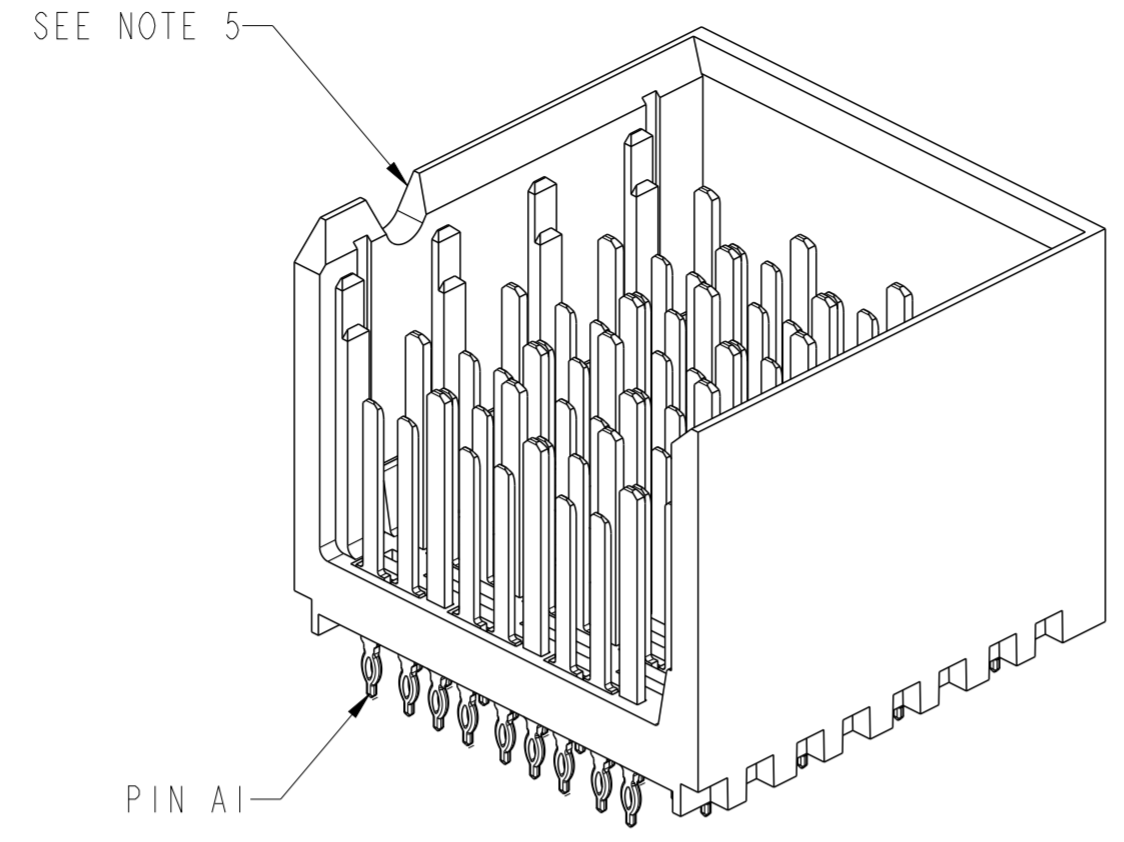
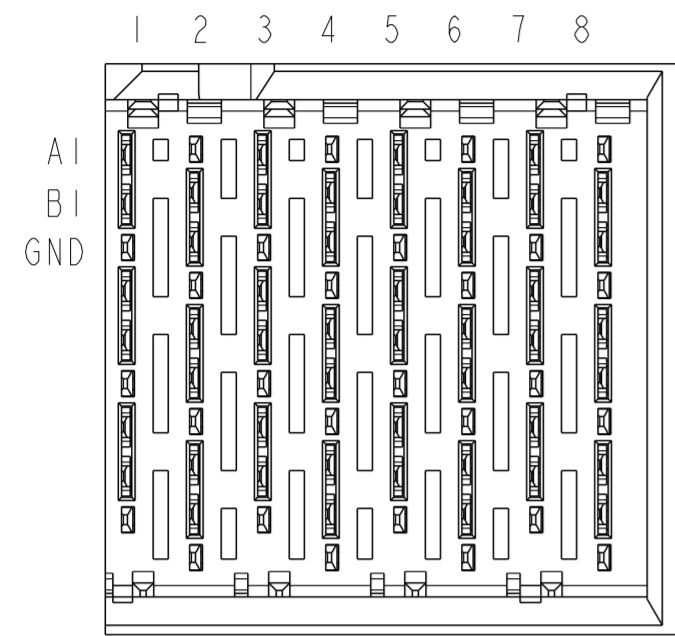


SEE DETAIL A ON SHEET 8 FOR PINOUT DETAILS

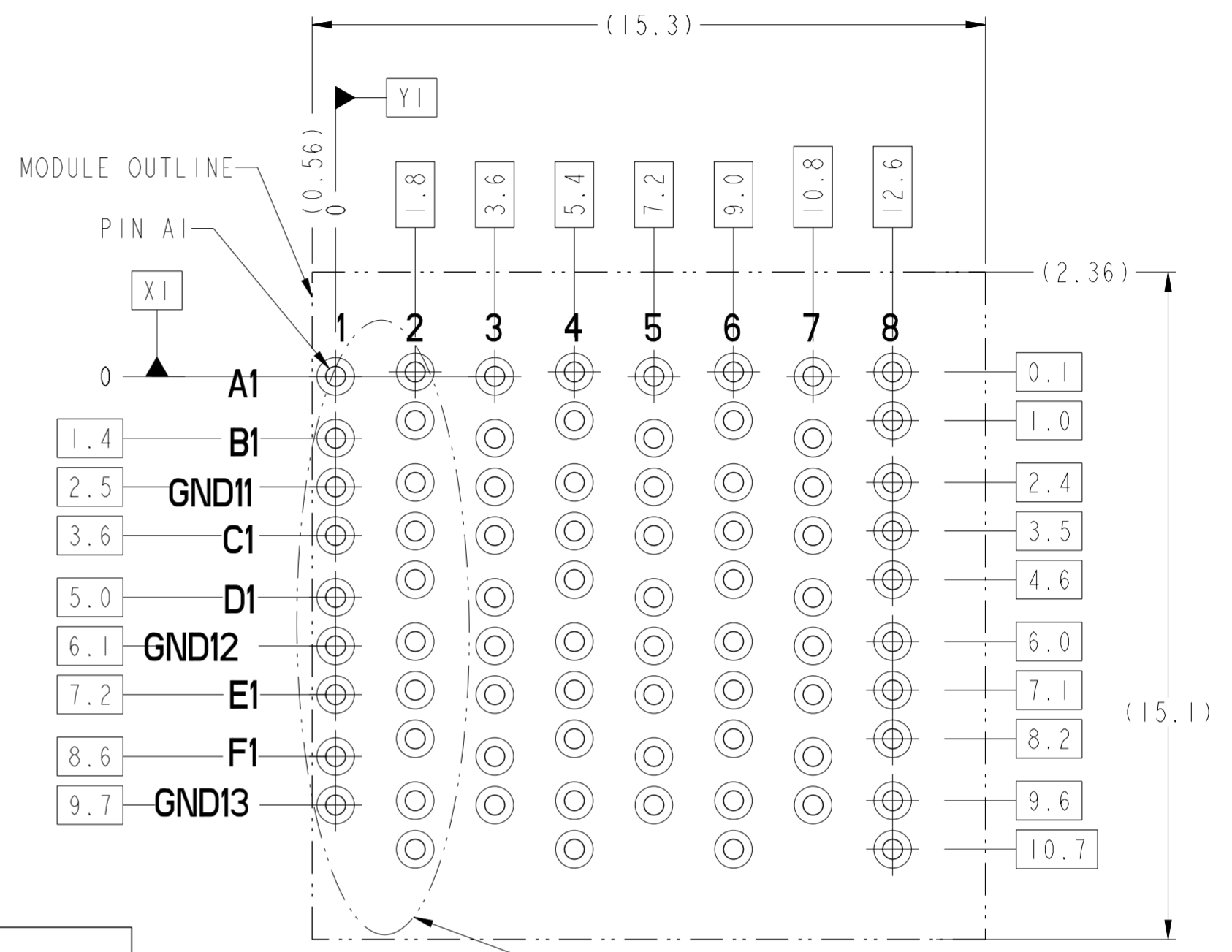
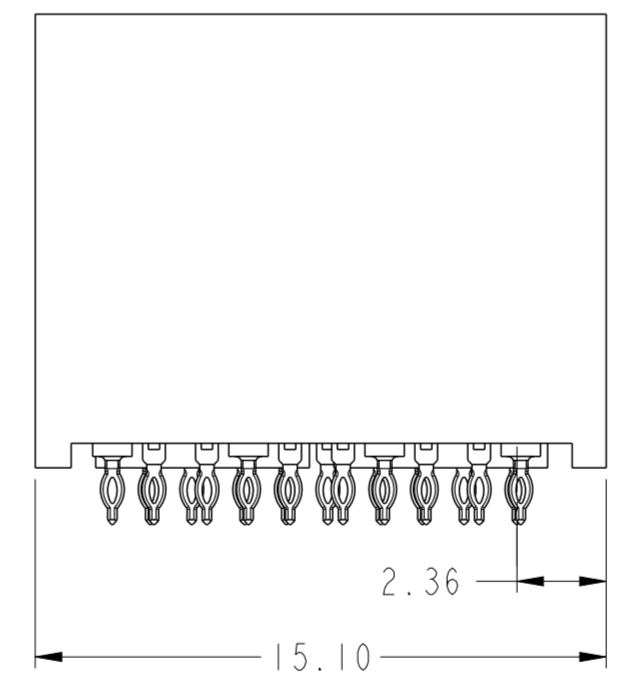
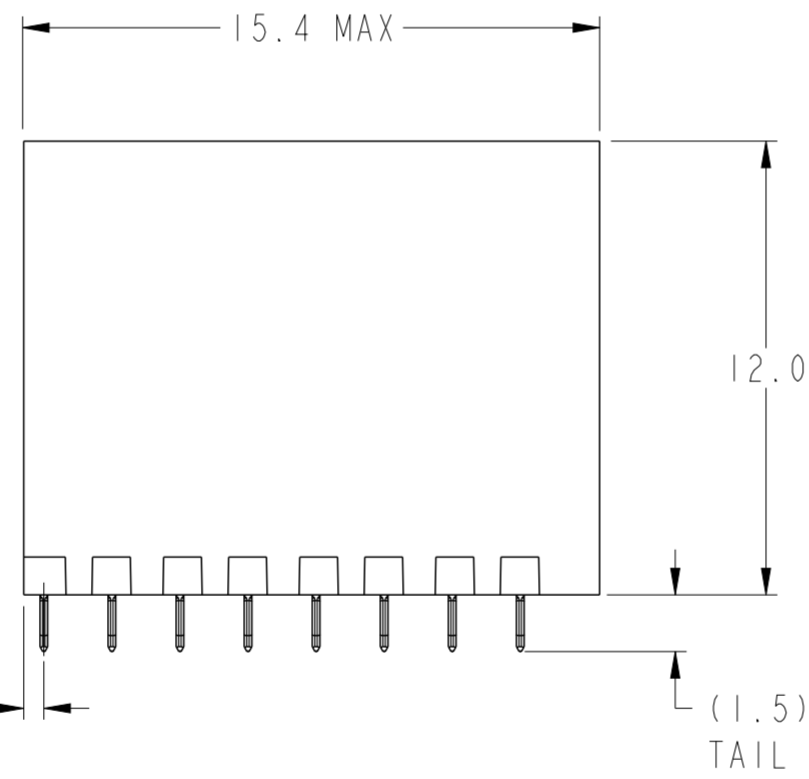
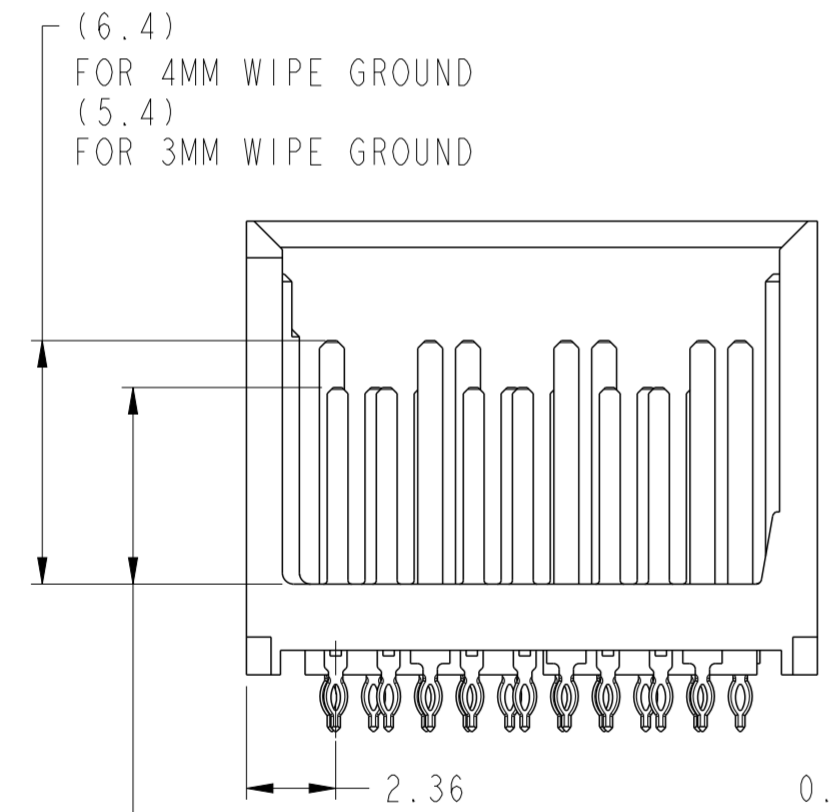
BP HOLE PATTERN COMPONENT SIDE  
LEFT WALL MODULE BACKPLANE FOOTPRINT



spec ref	-	dr	Yong-Keat Lim	2012/02/17	projection	MM	size	A2	scale	5:1	
tolerance std	ISO 406 ISO 1101	eng	Sandar Soe	2013/03/20			ecn no	ELX-S-14229-1	rel level	Released	
TOLERANCES UNLESS OTHERWISE SPECIFIED		chr	-	appr							Chen-Hong Tan
surface	ISO 1302	linear	0.X	±0.3	0.XX	±0.10	0.XXX	±0.05	angular	0°	±2°
www.fci.com				<b>TITLE</b> XCEDE HD VERTICAL HEADER 3 PAIR, 8 COLUMN STITCH HEADER		<b>dwg no</b> 10120124	<b>rev</b> B	Product - Customer Drw		sheet 3 of 8	



**RIGHT WALL MODULE**



SEE DETAIL A ON SHEET 8 FOR PINOUT DETAILS

**RIGHT WALL MODULE BACKPLANE FOOTPRINT**



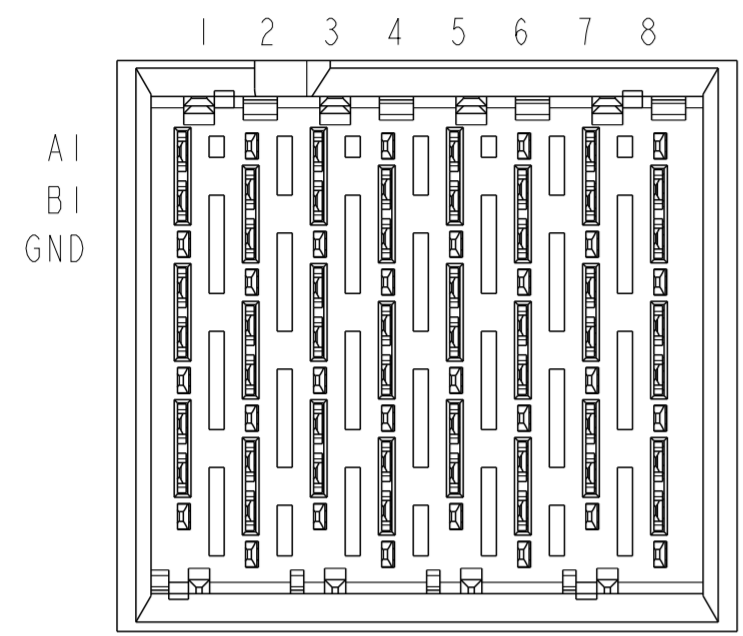
Copyright FCI.

spec ref	-	dr	Yong-Keat Lim	2012/02/17	projection	MM	size	A2	scale	5:1	
tolerance std	ISO 406 ISO 1101	eng	Sandar Soe	2013/03/20			ecn no	ELX-S-14229-1			
TOLERANCES UNLESS OTHERWISE SPECIFIED		chr	-	appr				Chen-Hong Tan	2013/04/09	product family	XCEDE HD
surface	ISO 1302	linear	0.X	±0.3		<b>XCED HD VERTICAL HEADER</b> 3 PAIR, 8 COLUMN STITCH HEADER	dwg no 10120124	rev B	Product - Customer Drw		
		angular	0°	±2°					cat. no.	-	sheet 4 of 8
									www.fci.com		

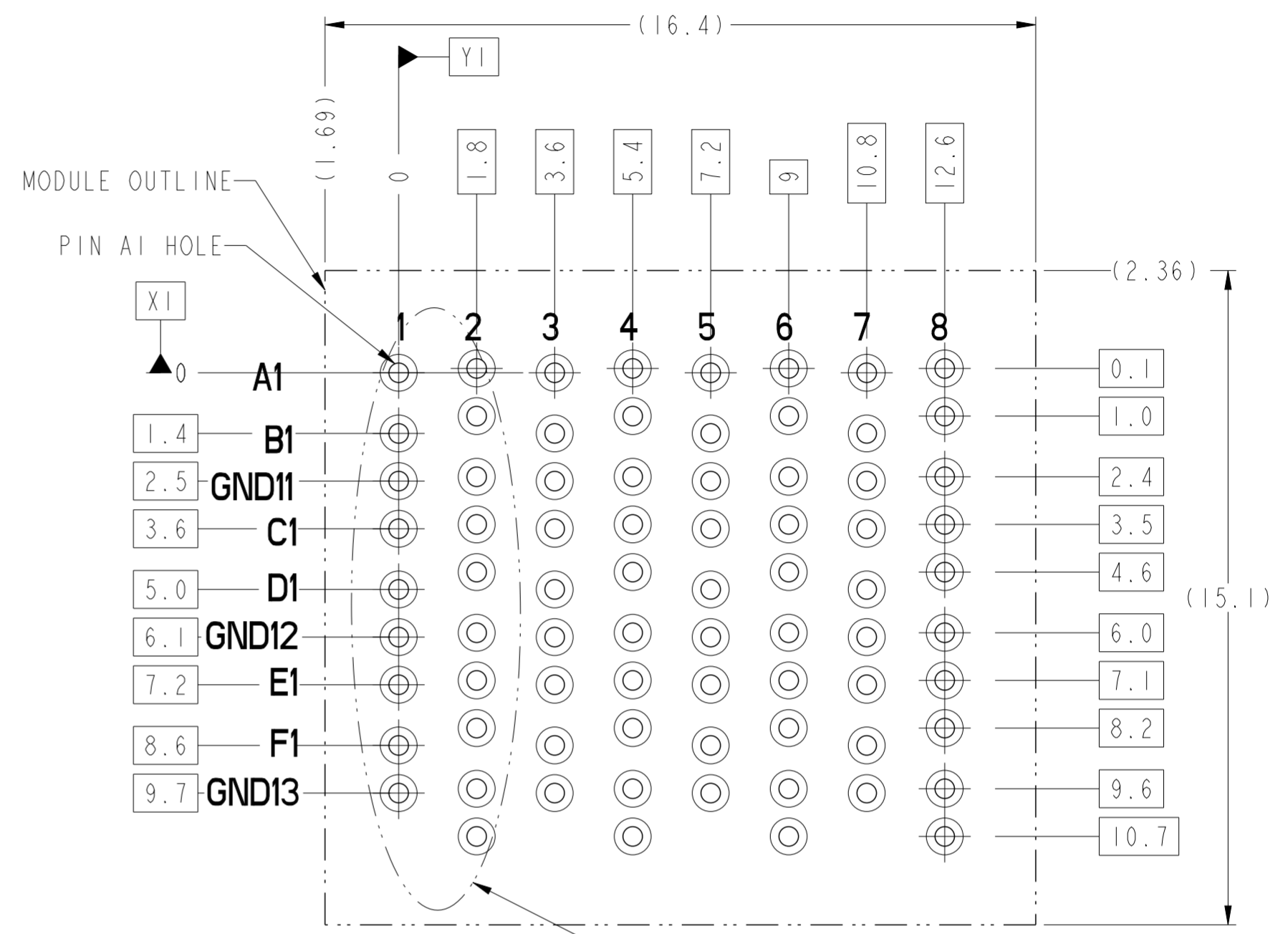
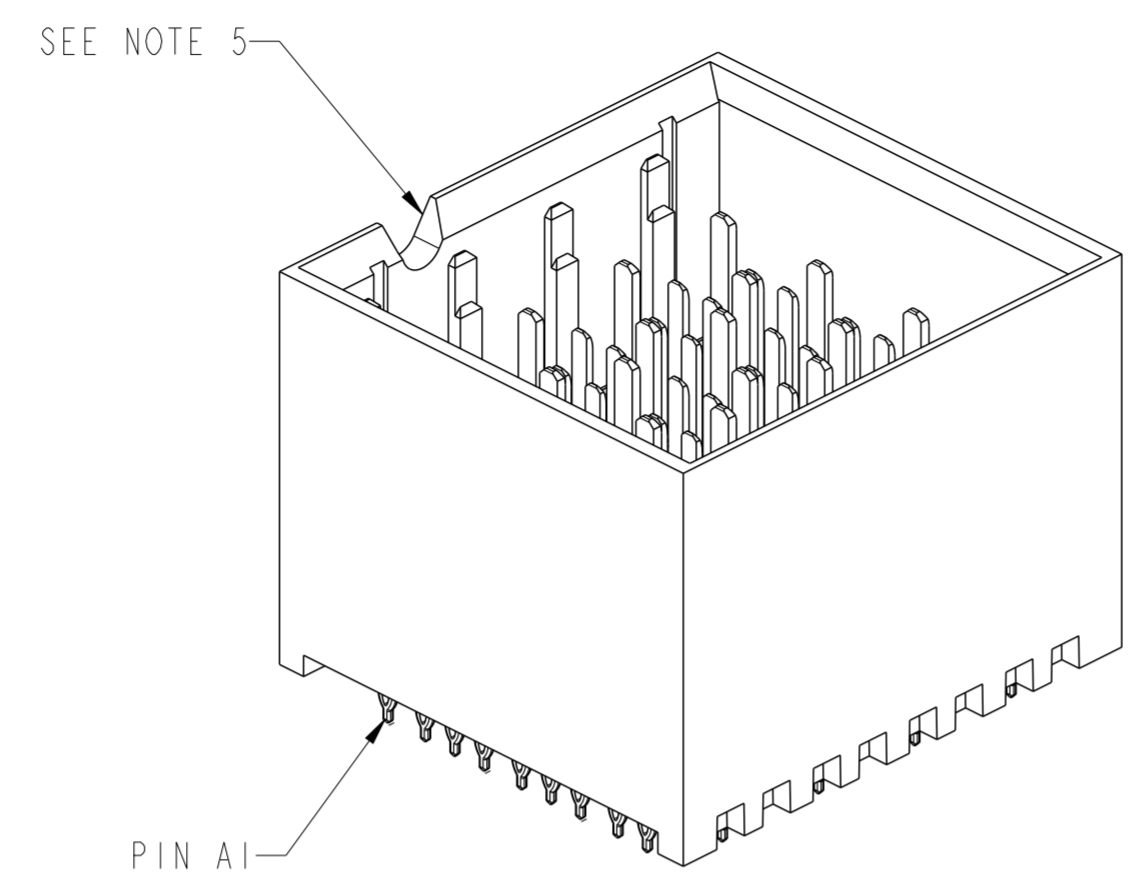
PDS: Rev :B

STATUS:Released

Printed: Apr 10, 2013



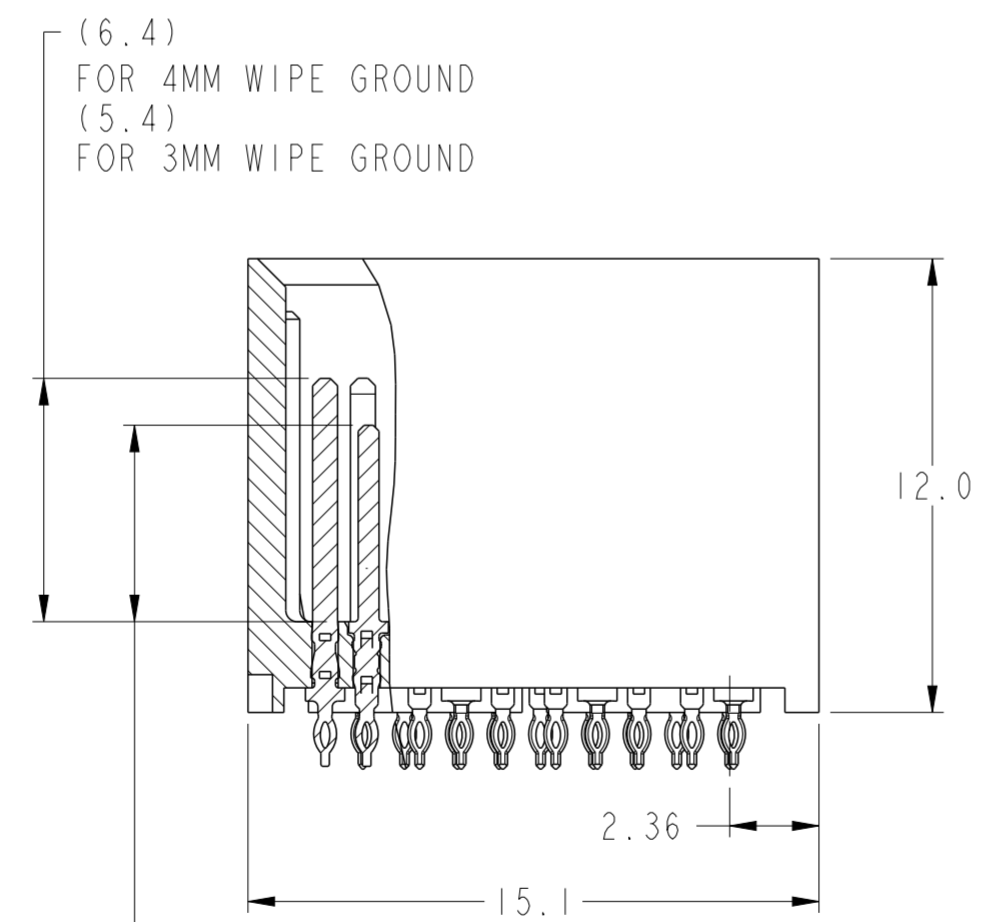
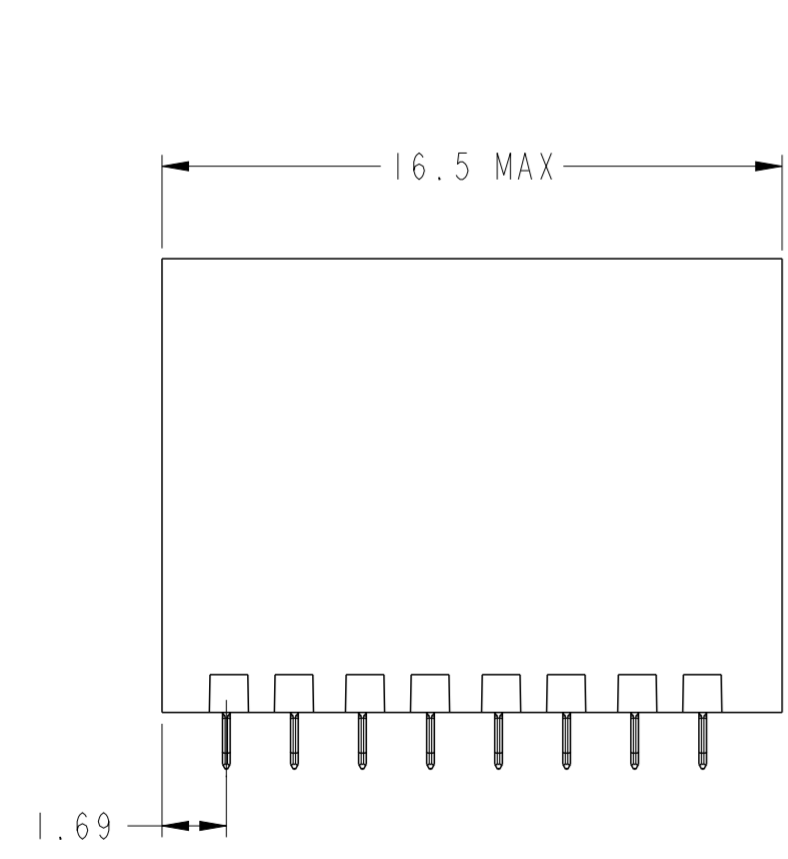
**FOUR WALL MODULE**



SEE DETAIL A ON SHEET 8 FOR PINOUT DETAILS

BP HOLE PATTERN COMPONENT SIDE

**FOUR WALL MODULE BACKPLANE FOOTPRINT**



(6.4) FOR 4MM WIPE GROUND  
(5.4) FOR 3MM WIPE GROUND

(5.2) FOR 3MM WIPE SIGNAL  
(4.2) FOR 2MM WIPE SIGNAL

(1.5) TAIL LENGTH



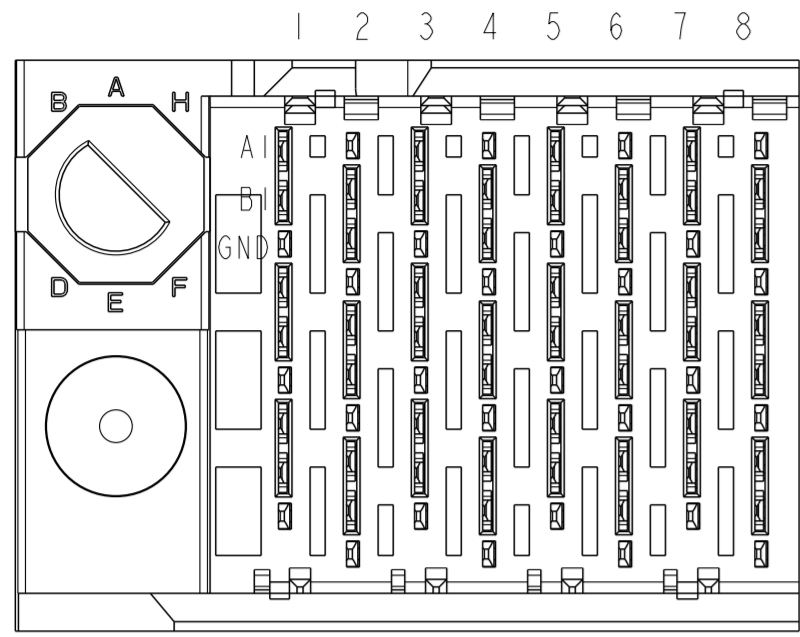
Copyright FCI.

spec ref	-	dr	Yong-Keat Lim	2012/02/17	projection	MM	size	A2	scale	5:1	
tolerance std	ISO 406 ISO 1101	eng	Sandar Soe	2013/03/20			ecn no	ELX-8-14229-1	rel level	Released	
TOLERANCES UNLESS OTHERWISE SPECIFIED		chr	-	apppr							Chen-Hong Tan
surface	ISO 1302	linear	0.X	±0.3		<b>XCED HD VERTICAL HEADER</b> 3 PAIR, 8 COLUMN STITCH HEADER	dwg no 10120124	rev B	Product - Customer Drw		
		angular	0°	±2°					cat. no.	-	sheet 5 of 8
									www.fci.com		

PDS: Rev :B

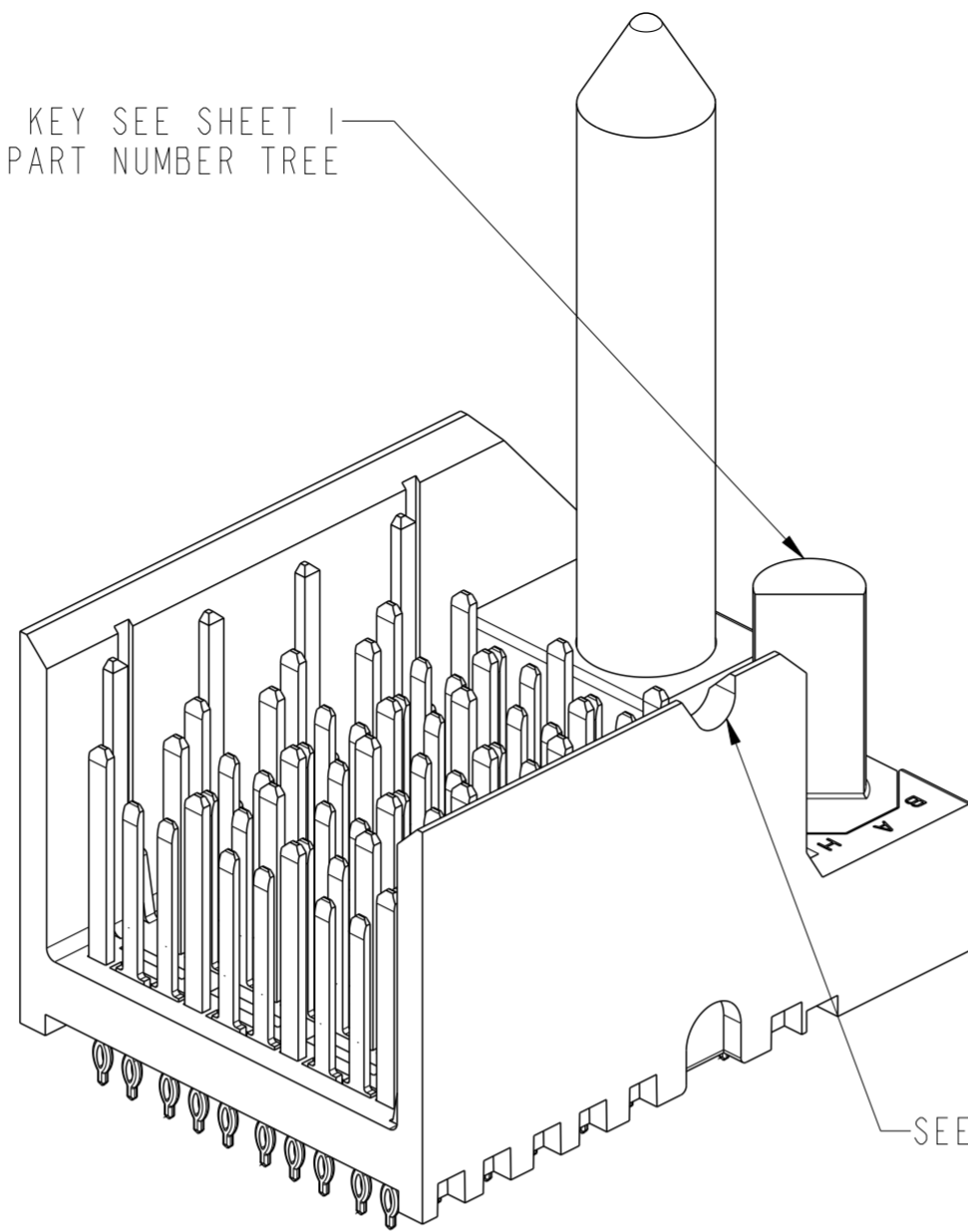
STATUS:Released

Printed: Apr 10, 2013

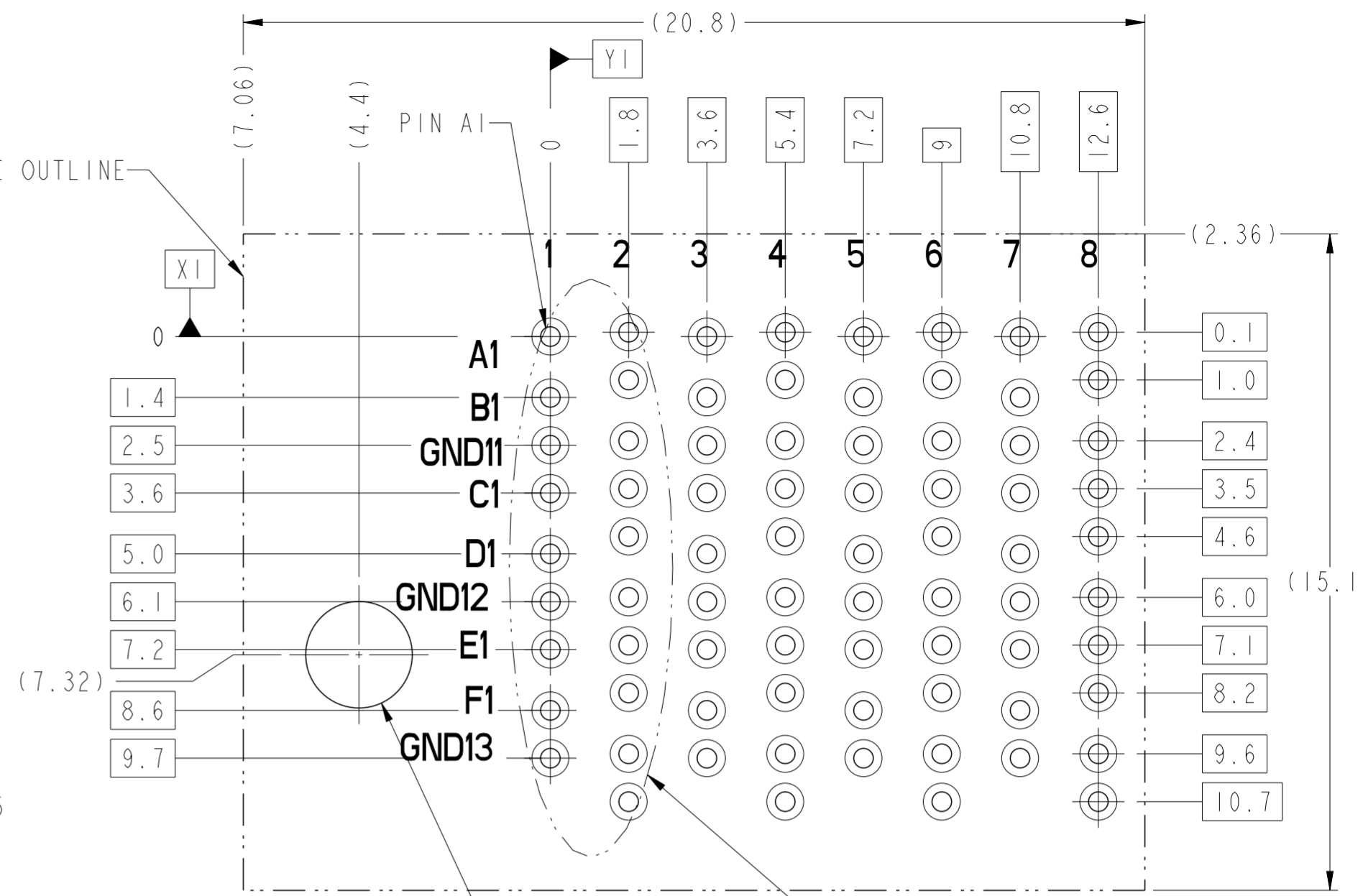


**LEFT POLARIZING / GUIDE MODULE**

OPTIONAL KEY SEE SHEET 1  
PART NUMBER TREE



MODULE OUTLINE



SEE DETAIL A  
ON SHEET 8 FOR PINOUT DETAILS

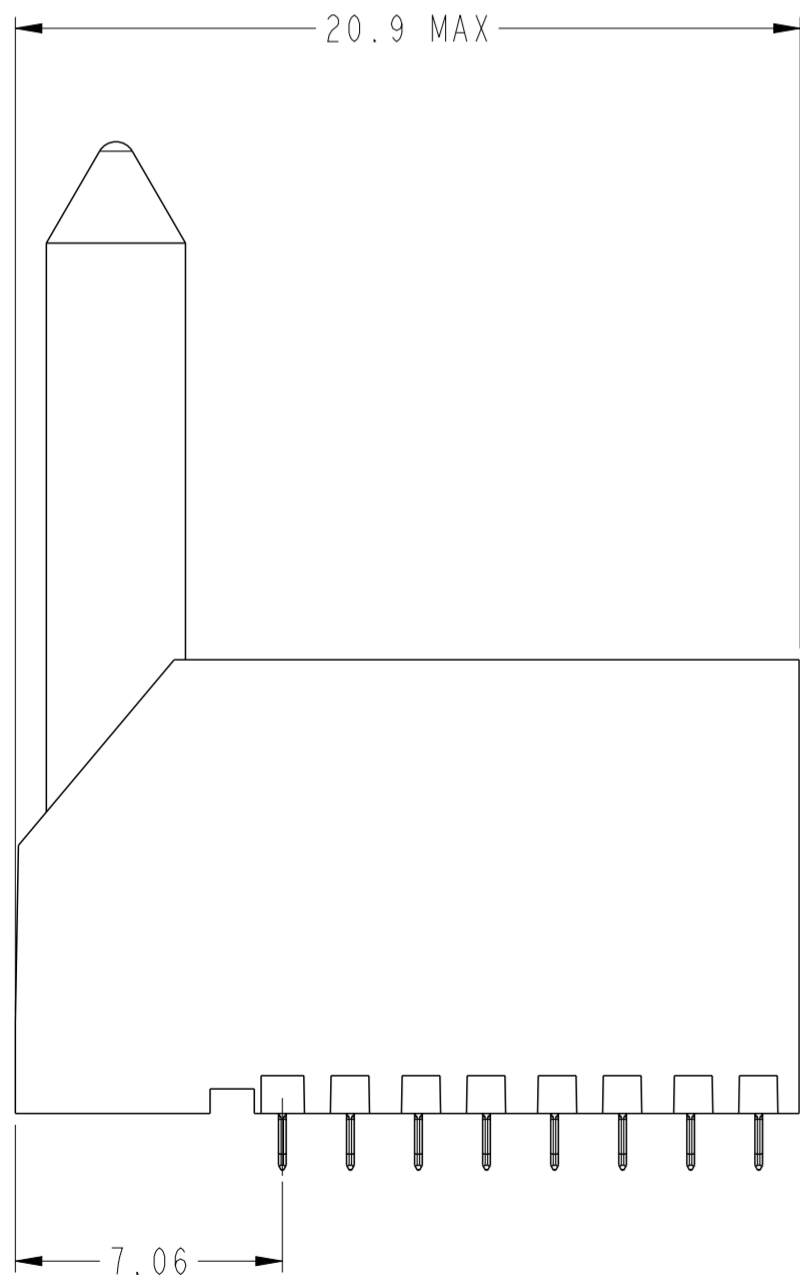
Ø 2.55  
2.35

Ø 0.15 XI YI

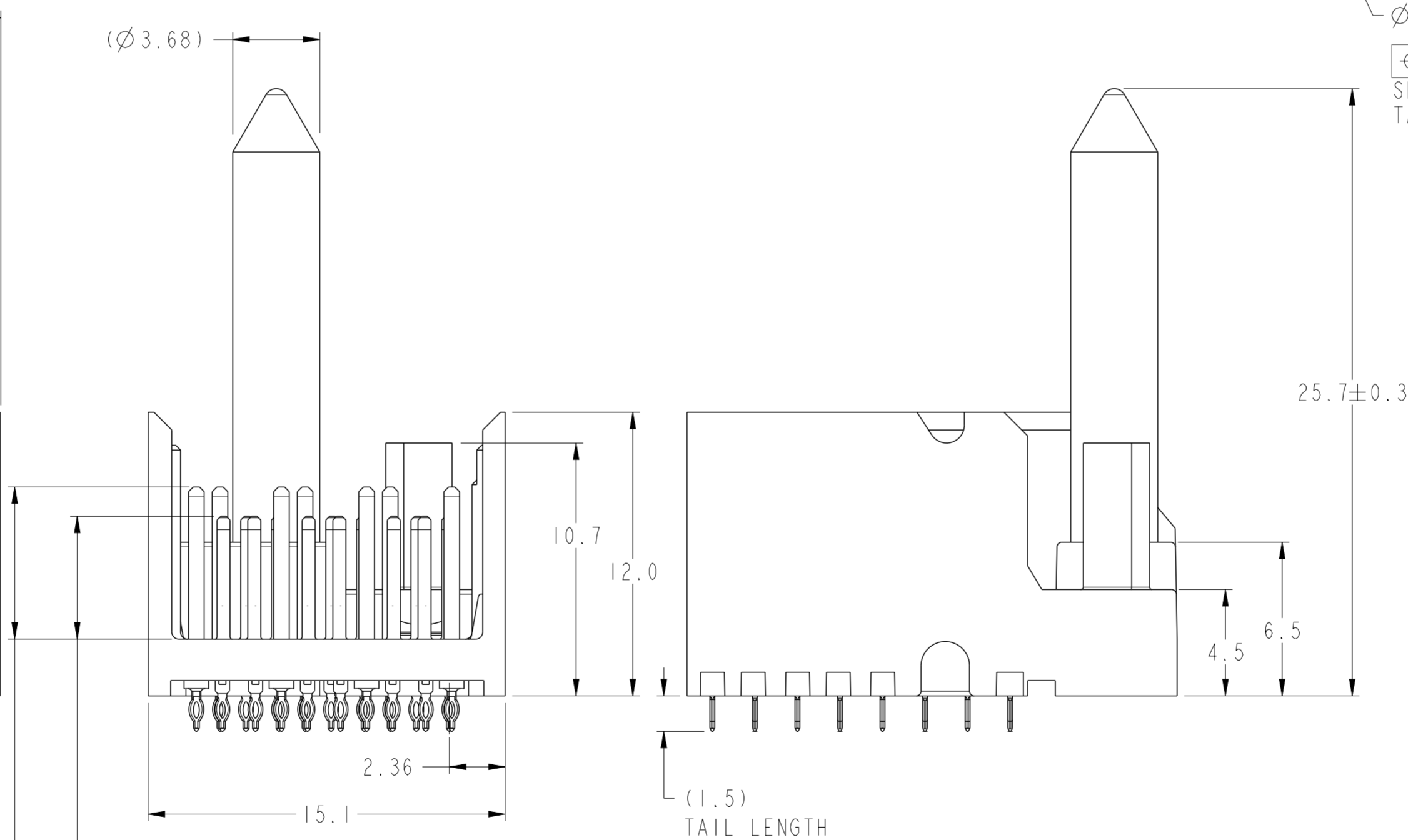
SEE NOTE 11 &  
TABLE 1

BP HOLE PATTERN COMPONENT SIDE

**LEFT POLARIZING / GUIDE MODULE  
BACKPLANE FOOTPRINT**



(Ø 3.68)

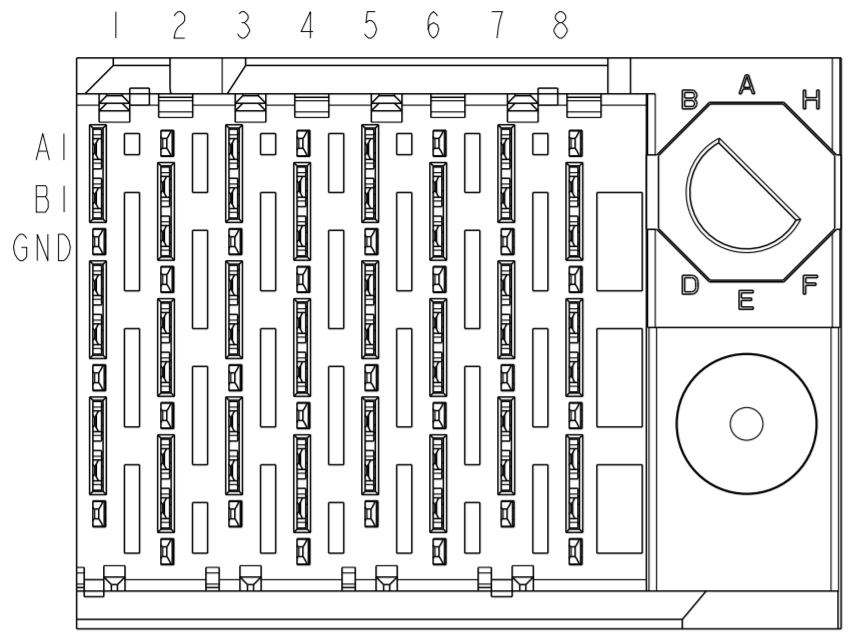


(5.2)  
FOR 3MM WIPE SIGNAL  
(4.2)  
FOR 2MM WIPE SIGNAL

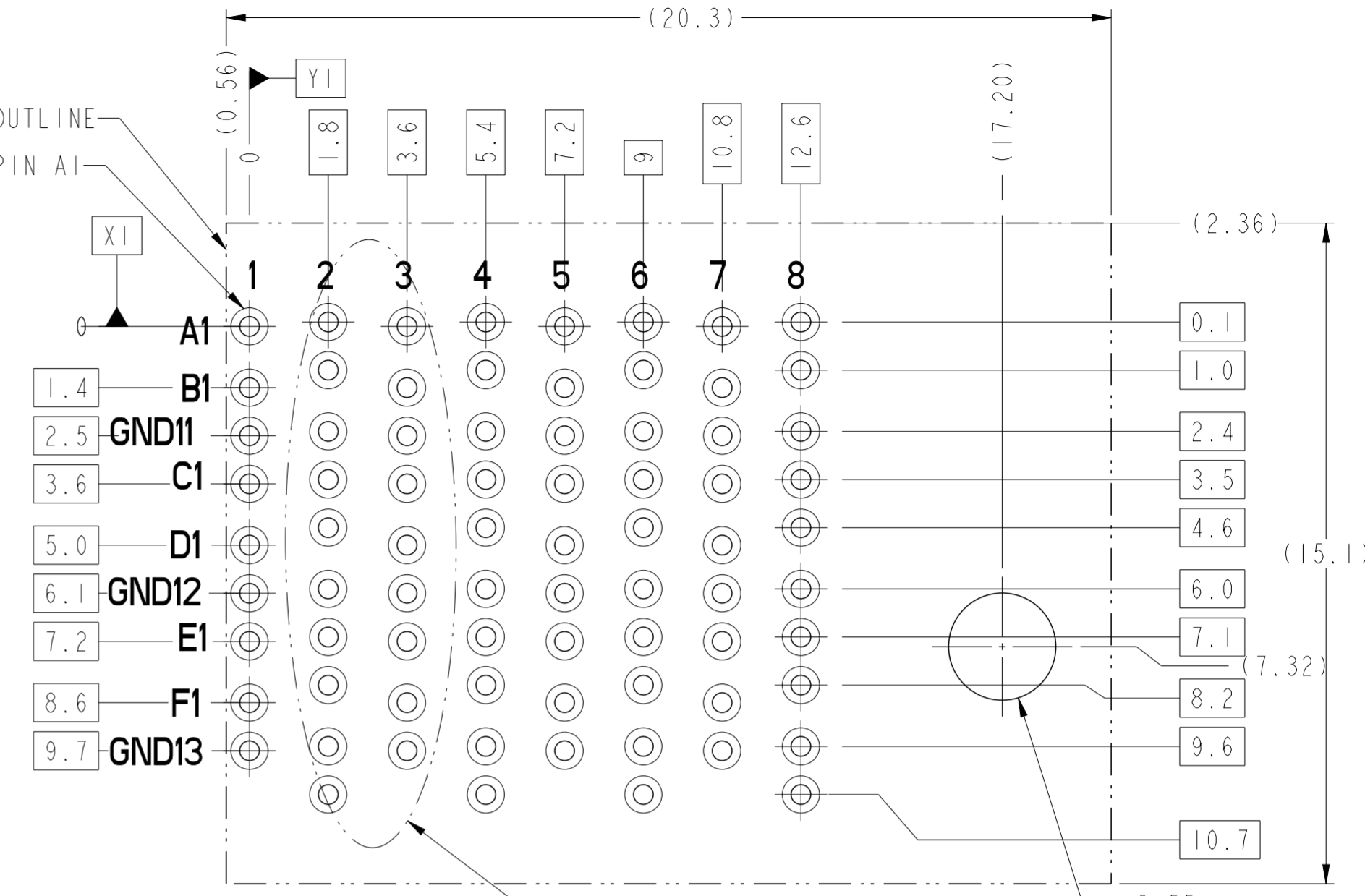
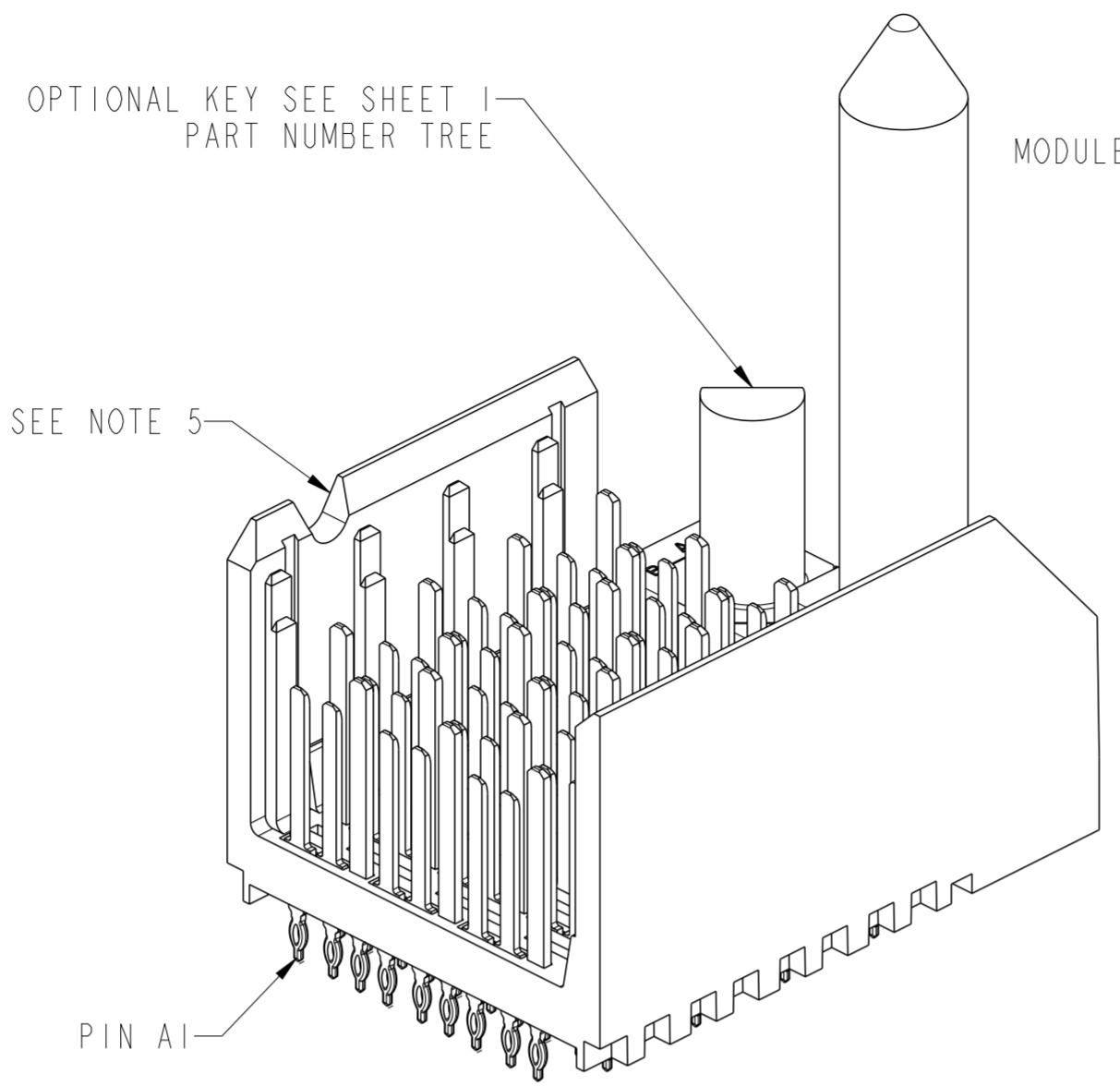
(6.4)  
FOR 4MM WIPE GROUND  
(5.4)  
FOR 3MM WIPE GROUND

spec ref	-	dr	Yong-Keat Lim	2012/02/17	projection	MM	size	A2	scale	5:1
tolerance std	ISO 406 ISO 1101	eng	Sandar Soe	2013/03/20			ecn no	ELX-8-14229-1	rel level	Released
TOLERANCES UNLESS OTHERWISE SPECIFIED		chr	-	product family						
surface	ISO 1302	appr	Chen-Hong Tan	2013/04/09	product family	XCEDE HD	rel level	Released	cat. no.	Product - Customer Drw
linear	0.X ±0.3 0.XX ±0.10 0.XXX ±0.05	title	XCEDE HD VERTICAL HEADER 3 PAIR, 8 COLUMN STITCH HEADER		dwg no	10120124	rev	B	sheet 6 of 8	
angular	0° ±2°	www.fci.com								





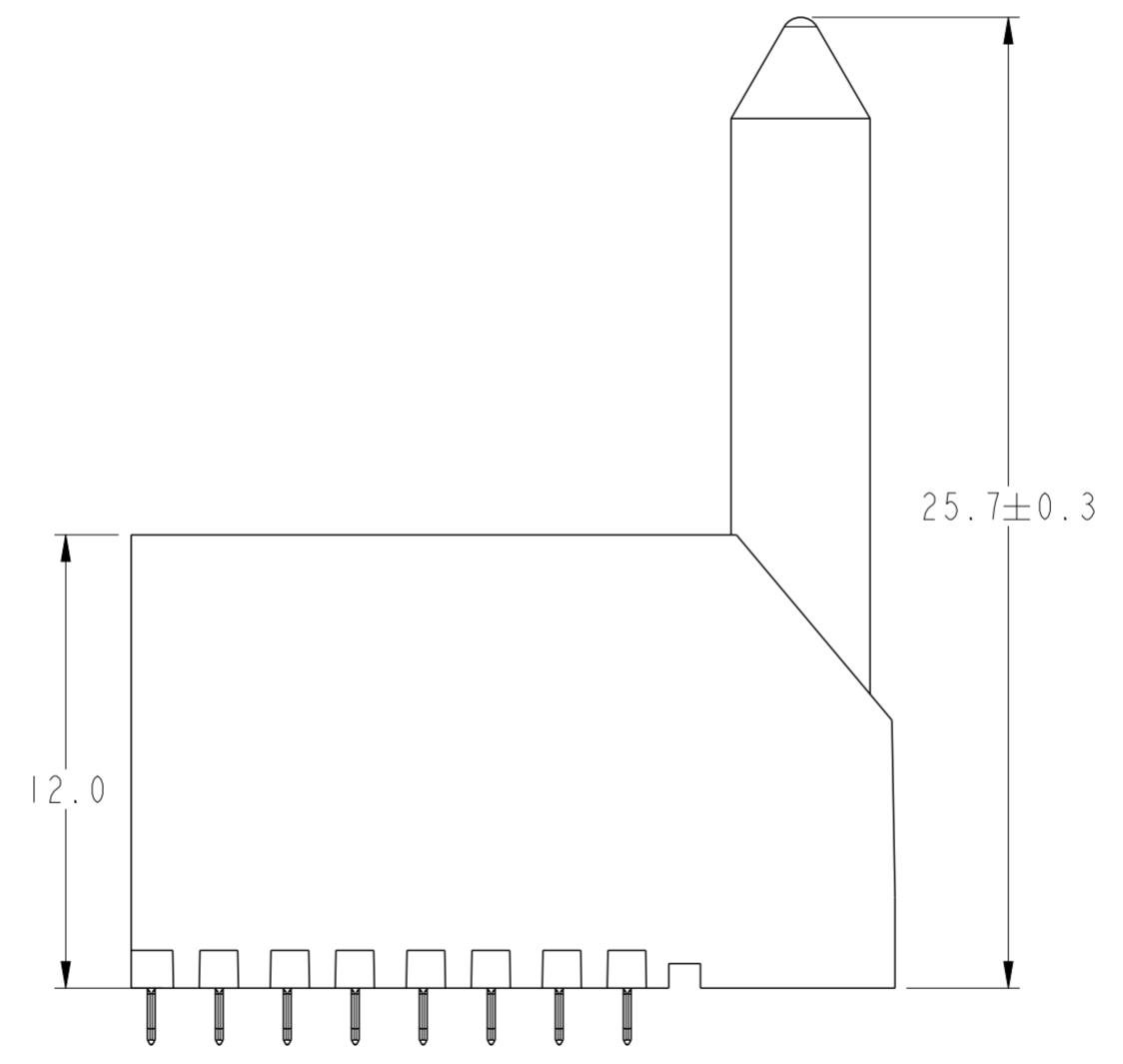
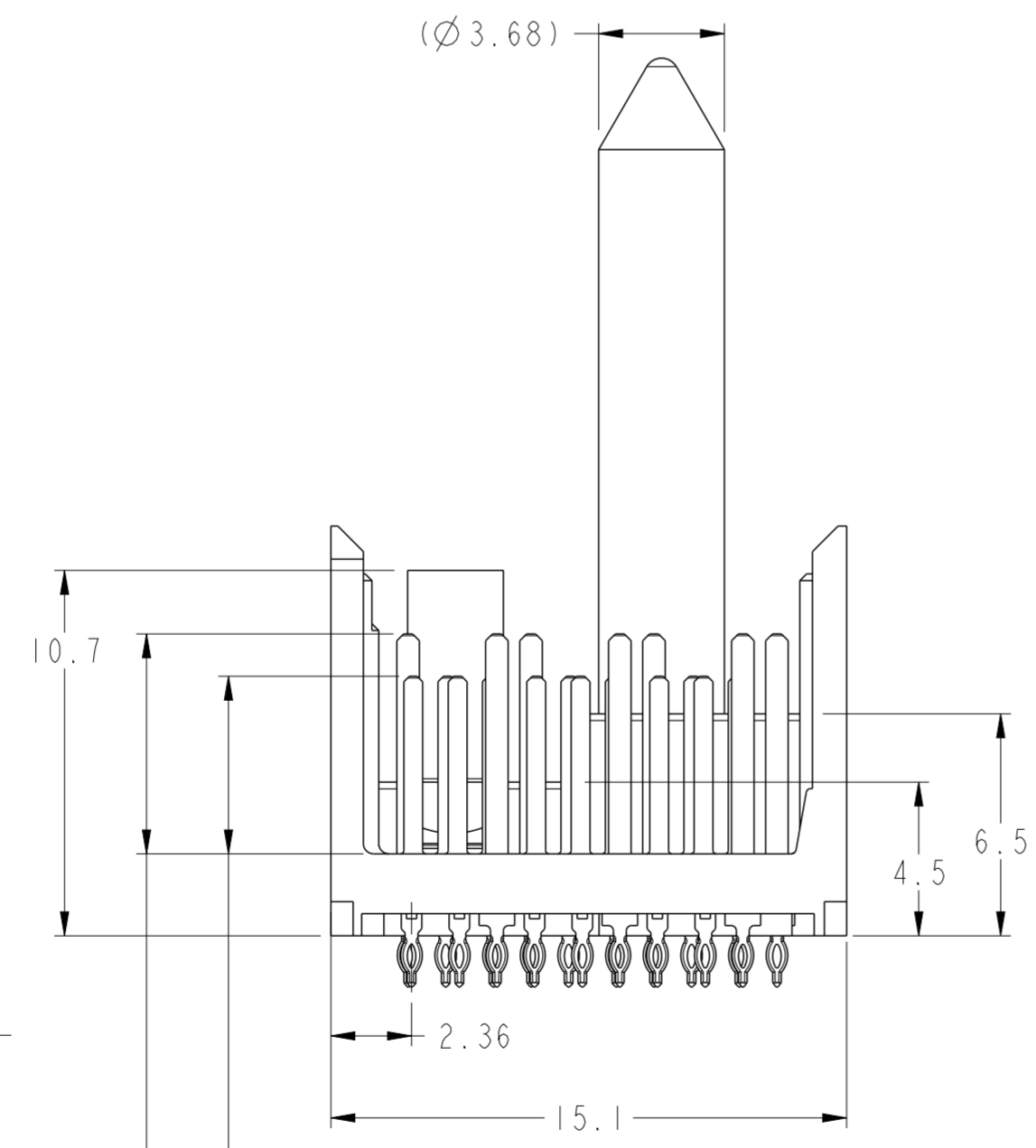
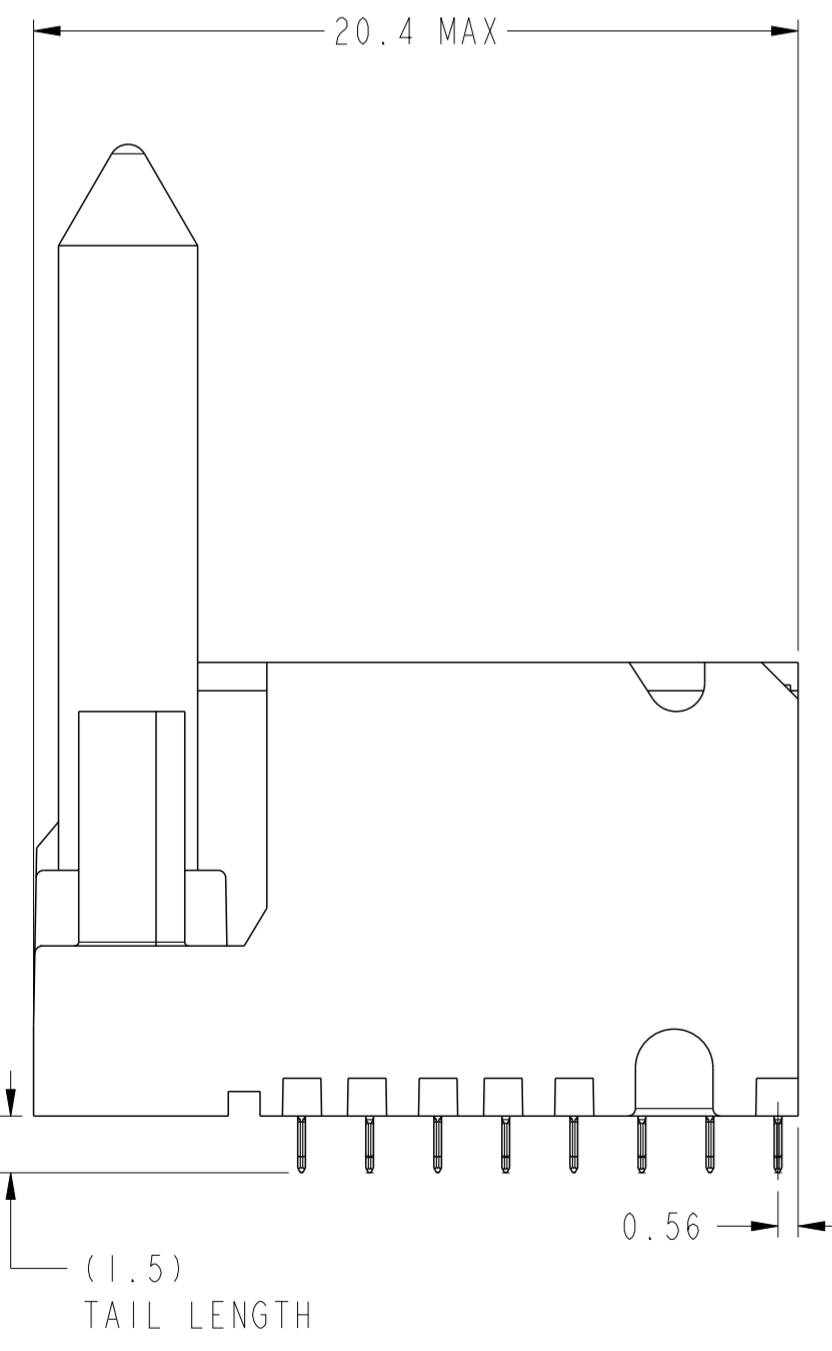
RIGHT POLARIZING / GUIDE MODULE



SEE DETAIL A ON SHEET 8 FOR PINOUT DETAILS

$\varnothing 2.55$   
 $\varnothing 2.35$   $\triangle B$   
 $\oplus \varnothing 0.15$  XI YI  
 SEE NOTE 11 & TABLE 1

BP HOLE PATTERN COMPONENT SIDE  
RIGHT POLARIZING / GUIDE MODULE  
BACKPLANE FOOTPRINT



(5.2) FOR 3MM WIPE SIGNAL  
(4.2) FOR 2MM WIPE SIGNAL  
(6.4) FOR 4MM WIPE GROUND  
(5.4) FOR 3MM WIPE GROUND

Copyright FCI.

spec ref	-	dr	Yong-Keat Lim	2012/02/17	projection	MM	size	A2	scale	5:1		
tolerance std	ISO 406 ISO 1101	eng	Sandar Soe	2013/03/20			ecn no	ELX-8-14229-1				
surface	ISO 1302	chr	-	appr			Chen-Hong Tan	2013/04/09	product family	XCEDE HD	rel level	Released
linear	0.X ±0.3 0.XX ±0.10 0.XXX ±0.05	angular	0° ±2°			title	XCEDE HD VERTICAL HEADER 3 PAIR, 8 COLUMN STITCH HEADER		dwg no	10120124	rev	B
www.fci.com		cat. no.		Product - Customer Draw		sheet 7 of 8						

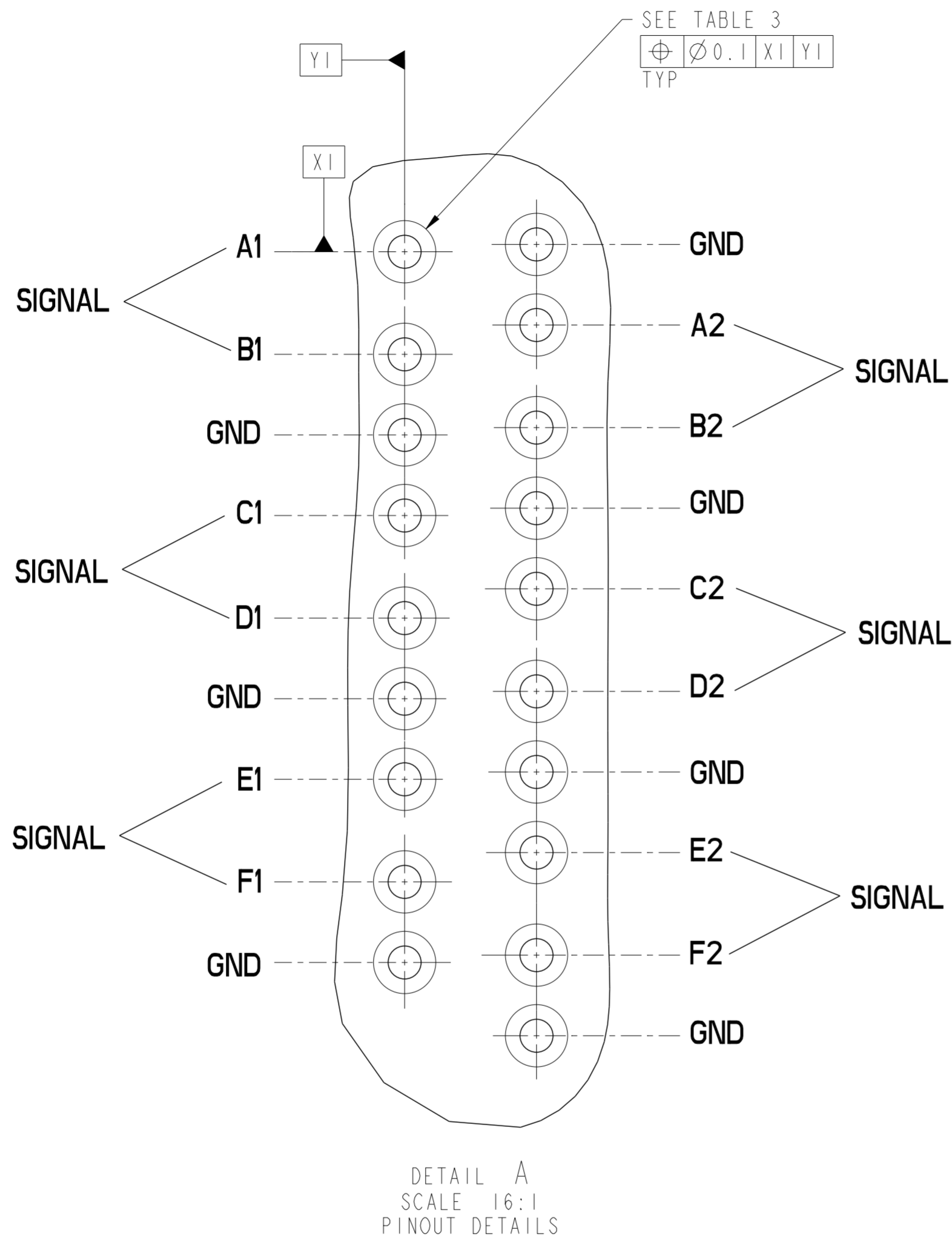


TABLE 3		
	COMPLIANT PIN DRILL $\varnothing 0.55[0.0217"]$	COMPLIANT PIN DRILL $\varnothing 0.45[0.0117"]$
PTH	$\varnothing 0.45 \pm 0.05$	$\varnothing 0.36 \pm 0.05$
DRILL	$\varnothing 0.55[0.0217"]$	$\varnothing 0.45[0.0117"]$
PAD	$\varnothing 0.85$	$\varnothing 0.75$

NOTES:

- CONNECTOR MATERIALS  
 SHROUD : HIGH-TEMP POLYMER, COLOR : BLACK, UL94V-0  
 CONTACTS : HIGH PERFORMANCE COPPER ALLOY
- PRODUCT SPECIFICATION : GS-12-0936
- APPLICATION SPECIFICATION : GS-20-0348
- PRODUCT MARKING :  
 PART NUMBER (10120124-XOE-XXXLF)  
 "FCI" AND DATE CODE (FCI P#####)
- NOTCH DESIGNATES "ROW A" SIDE OF CONNECTOR. NOTCH FEATURE ON OPPOSITE FOR PRODUCT MARKING.
- PLATING THICKNESS OF SIGNAL & GROUND CONTACT ARE DETERMINED BY PLATING CODE, REFER TO P/N TREE ON SHEET 1.
- PACKAGING MEETS GS-14-920 LEAD-FREE LABELING SPECIFICATION.
- GUIDE-PIN STYLE DESIGNATION ONLY APPLIES TO MODULE VERSIONS THAT REQUIRE GUIDE-PIN HARDWARE. FOR ALL NON-GUIDE-PIN VERSIONS, THE DEFAULT DASH-NUMBER DIGIT IN THAT LOCATION IS STILL "0".
- SEE APPLICATION SPECIFICATION FOR ROUTING GUIDELINES, ADDITIONAL PTH GUIDELINES, MATED DIMENSIONS, GUIDE PIN SELECTION, ETC.
- A  $\triangle B$  SYMBOL WILL BE NEXT TO ANY DIMENSION, VIEW OR NOTE THAT HAS BEEN MODIFIED WITH THE CURRENT DRAWING REVISION.
- $\triangle B$  (1) OPTIONAL HOLE LOCATION FOR GROUNDED PIN OR ADDITIONAL GUIDE-PIN SUPPORT. SEE TABLE 1 SHEET 1 FOR ADDITIONAL DETAILS.
- $\triangle B$  (2) SCREW IS OPTIONAL AND ENGAGES WITH BOTTOM OF GUIDE PIN FROM BENEATH THE PCB FOR ADDITIONAL GUIDE-PIN SUPPORT.

spec ref	-	dr	Yong-Keat Lim	2012/02/17	projection	MM	size	A2	scale	5:1	
tolerance std	ISO 406 ISO 1101	eng	Sandar Soe	2013/03/20			ecn no	ELX-8-14229-1	rel level	Released	
TOLERANCES UNLESS OTHERWISE SPECIFIED		chr	-	appr							Chen-Hong Tan
surface	ISO 1302	linear	0.X	$\pm 0.3$			title	XCEDE HD VERTICAL HEADER		rev	B
			0.XX	$\pm 0.10$	www.fci.com		3 PAIR, 8 COLUMN STITCH HEADER	diag no	10120124	sheet 8 of 8	
		angular	0°	$\pm 2^\circ$	cat. no.		Product - Customer Drw				