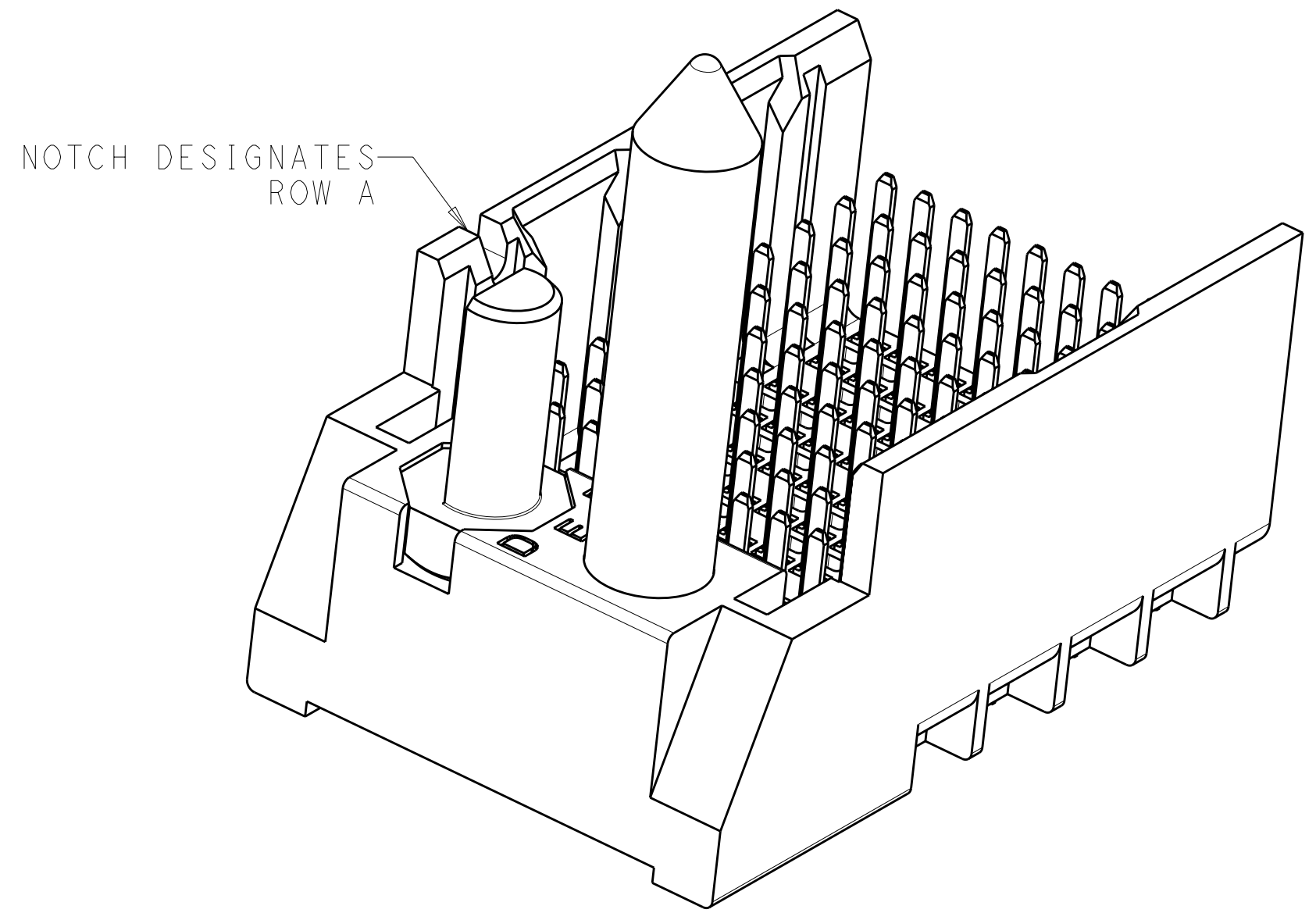
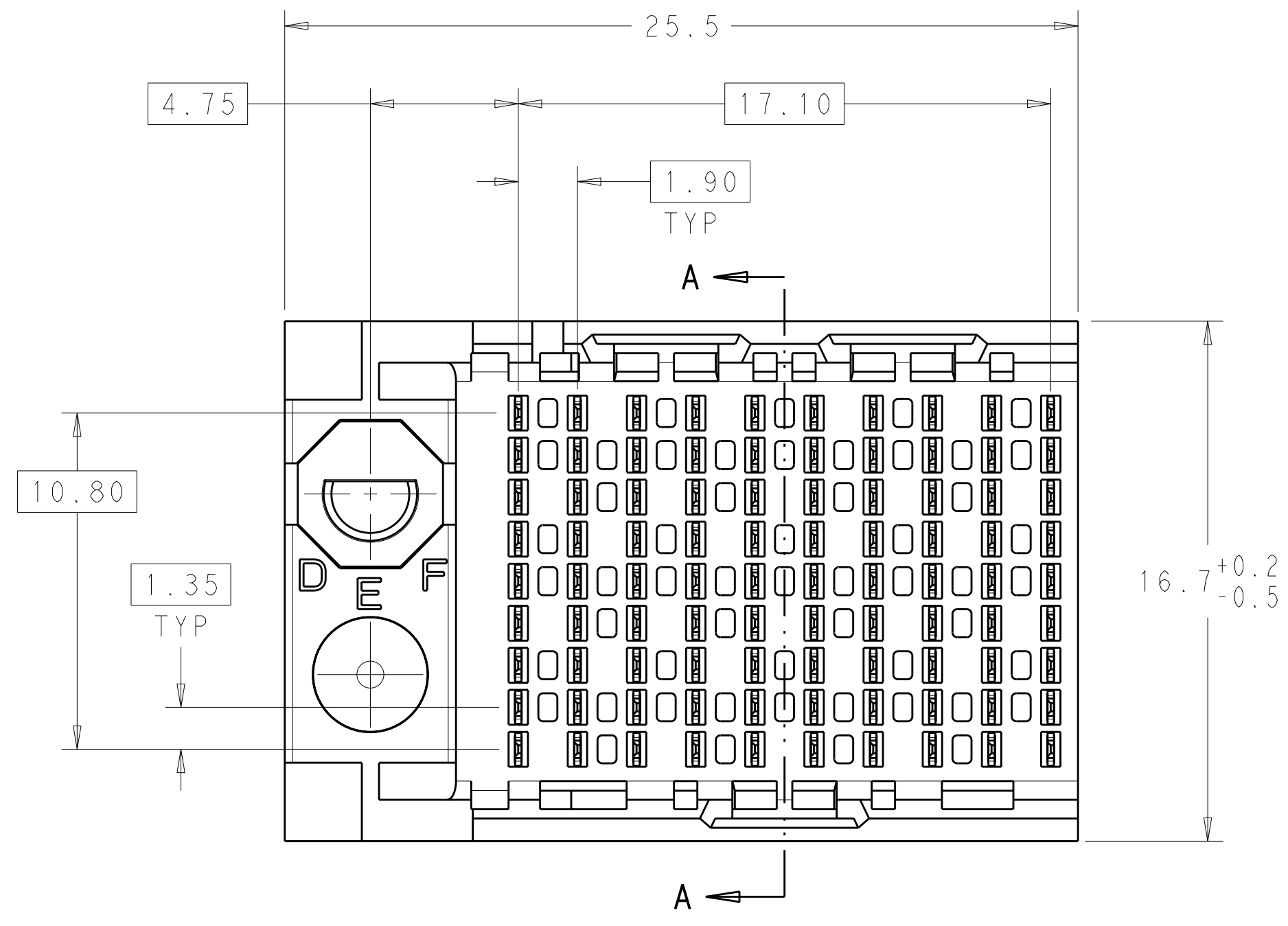
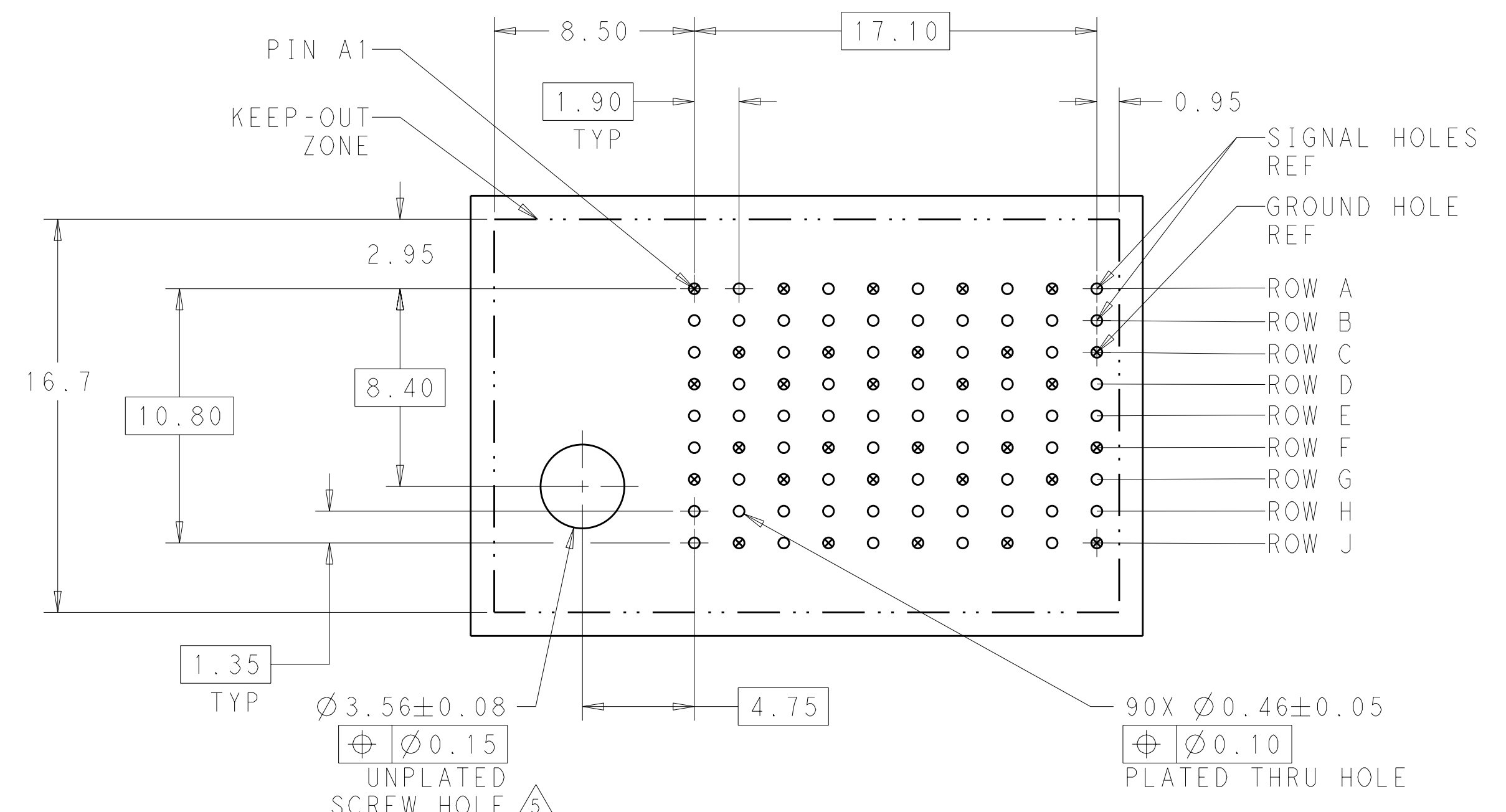


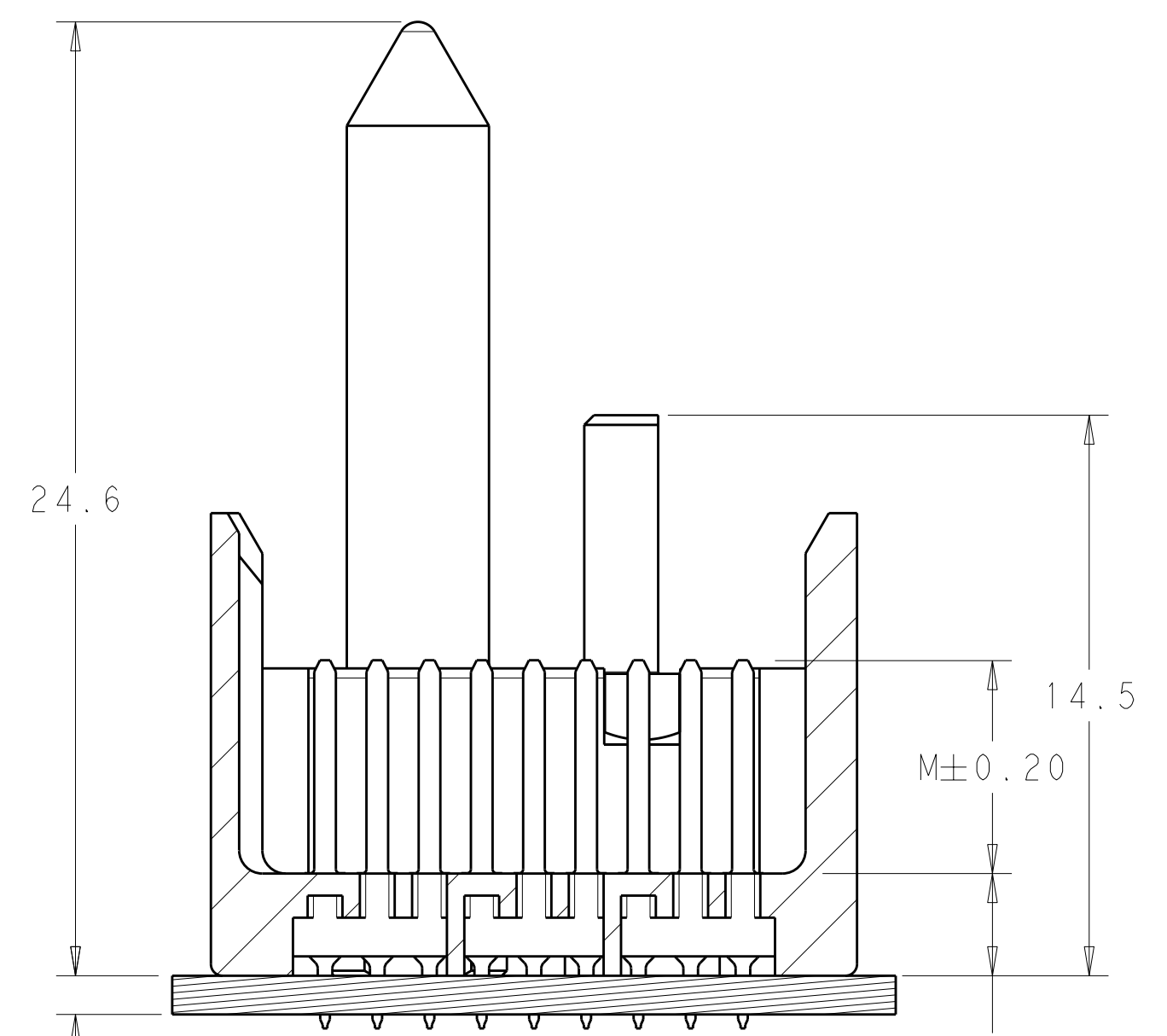
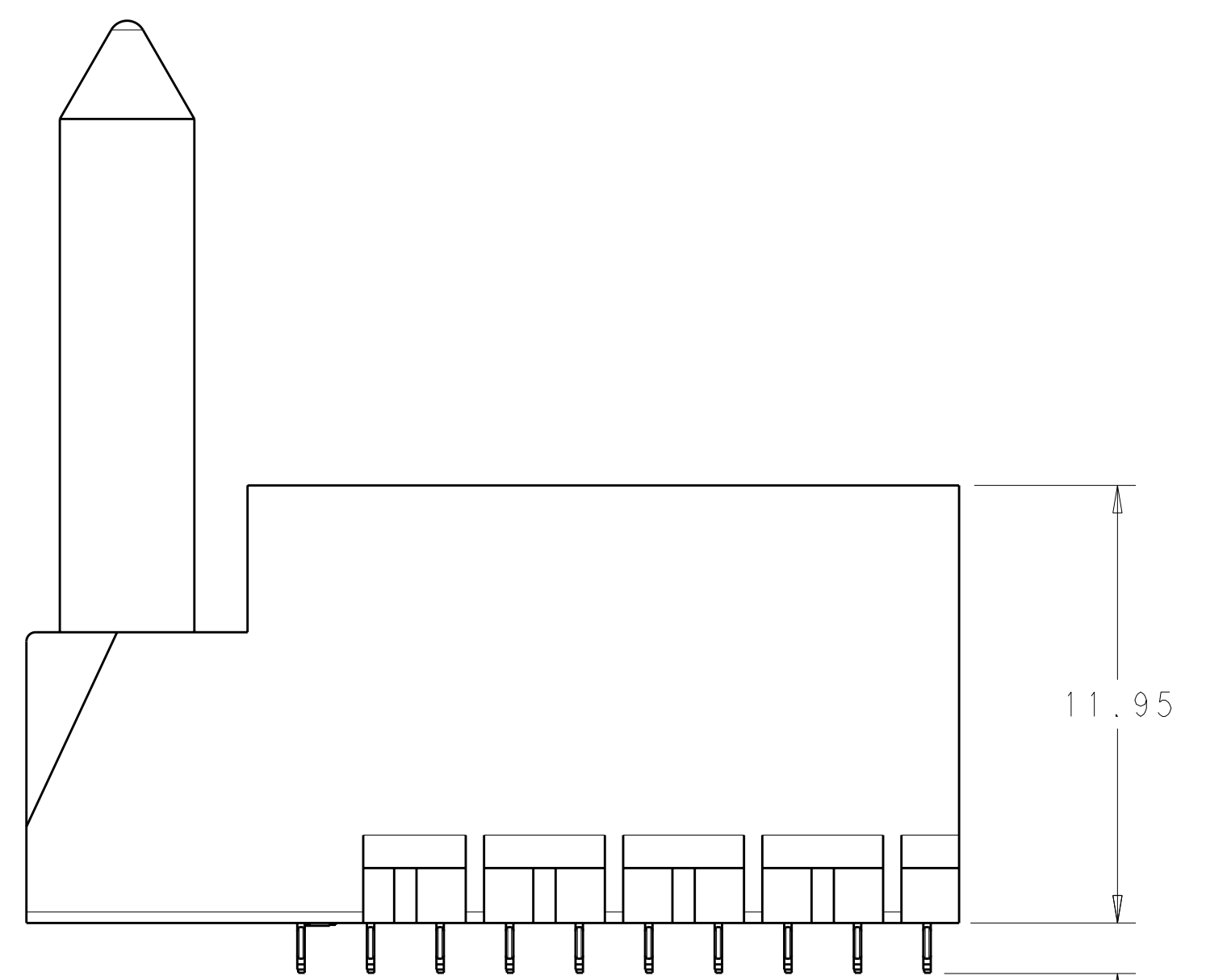
| LOC | | DIST | | REVISIONS | | | |
|-----|----|------|---------|--------------------------|-----|-----|------|
| AD | 00 | REV | DATE | BY | CHK | APP | DATE |
| | | C | 22DEC11 | REVISD PER ECO-11-025276 | | | |



- 1 MATERIAL:
HOUSING: LCP, GLASS FILLED, UL94V-0.
TERMINALS: HIGH PERFORMANCE COPPER ALLOY.
- 2 FINISH:
30µ" MIN GOLD IN CONTACT AREA. SELECTIVE TIN ON PCB TAILS, NICKEL OVERALL.
- 3 FINISH:
30µ" MIN GOLD IN CONTACT AREA. SELECTIVE TIN-LEAD ON PCB TAILS, NICKEL OVERALL.
- 4. SCREWS PACKAGED IN END OF PACKAGING TUBE.
- 5 FOR GROUNDED GUIDE PIN USE Ø3.56±0.08 PTH, Ø3.66 DRILL, AND Ø6.5 PAD.
- 6. KEYING PIN SHOWN IN POSITION A. SEE KEYING CHART ON SHEET 2 FOR OTHER POSITIONS.



LEFT GUIDED BACKPLANE HOLE PATTERN (CONNECTOR SIDE)

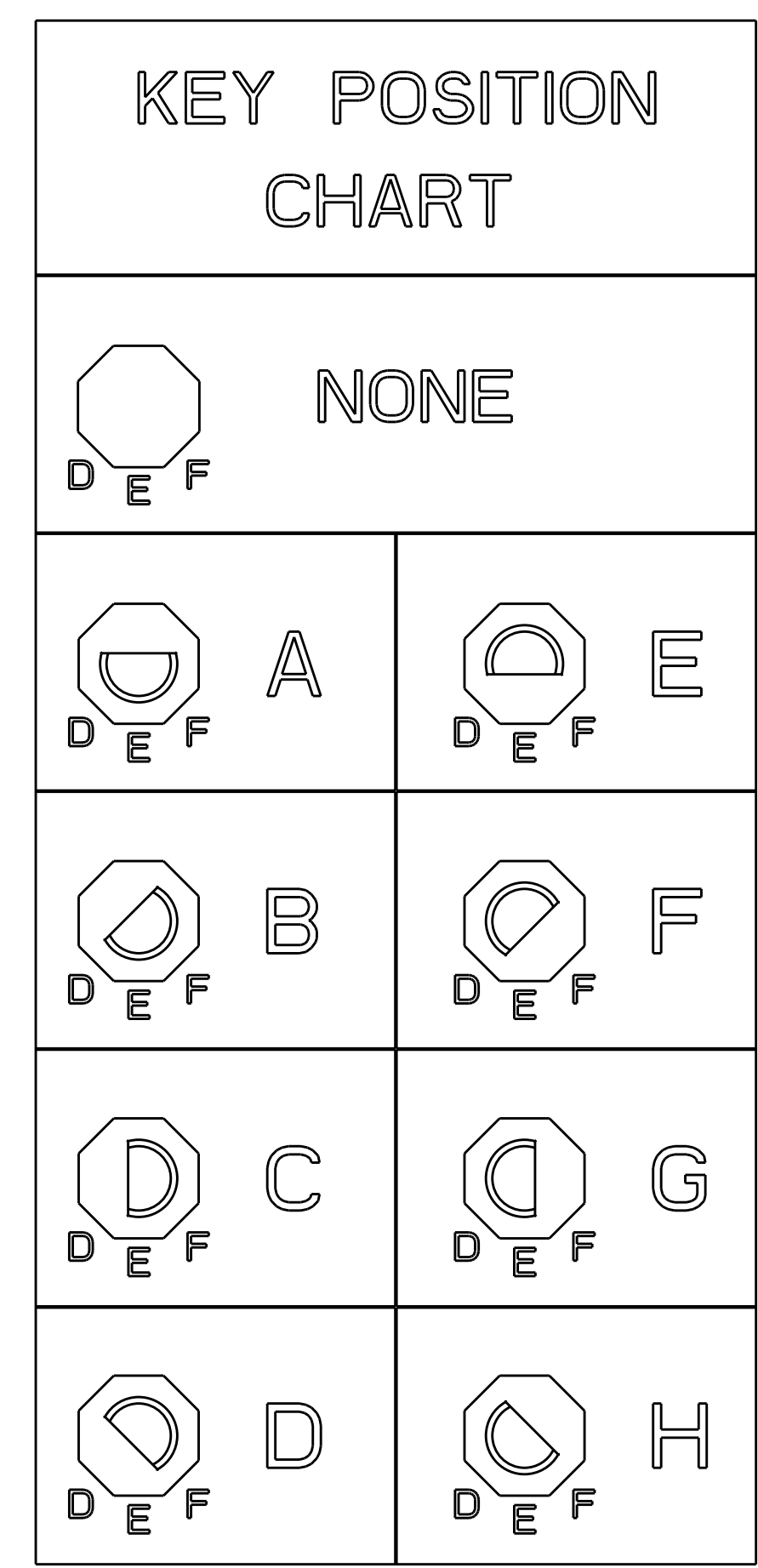


| | | | |
|--|--|--------------------------|--|
| THIS DRAWING IS A CONTROLLED DOCUMENT. | | DWN J. K. SHOBER 22DEC11 | TE Connectivity |
| DIMENSIONS: mm | | CHK J. EBY 22DEC11 | |
| TOLERANCES UNLESS OTHERWISE SPECIFIED: | | APVD J. EBY 22DEC11 | NAME: IMPACT, 3 PAIR, 10 COLUMN, HEADER LEFT GUIDED, OPEN END WALL SIGNAL MODULE, 0.46 PTH |
| 9 PLC ± | | PRODUCT SPEC | |
| 1 PLC ±0.25 | | APPLICATION SPEC | SIZE CAGE CODE DRAWING NO. RESTRICTED TO A100779C=2007776 |
| 2 PLC ±0.13 | | WEIGHT | |
| 3 PLC ± | | CUSTOMER DRAWING | SCALE 6:1 SHEET 1 OF 2 REV C |
| 4 PLC ± | | | |
| ANGLES ± | | | |
| FINISH SEE TABLE | | | |

| LOC | | DIST | | REVISIONS | | | |
|-----|----|------|-----|-------------|------|-----|------|
| AD | 00 | P | LTG | DESCRIPTION | DATE | DWN | APVD |
| | | - | - | SEE SHEET 1 | - | - | - |
| | | | | | | | |
| | | | | | | | |

| | | | |
|--------|--------------|-------|-------------|
| 3 | H | 5.5 | 8-2007776-6 |
| 3 | H | 4.9 | 8-2007776-5 |
| 3 | H | 4.5 | 8-2007776-4 |
| 2 | H | 5.5 | 8-2007776-3 |
| 2 | H | 4.9 | 8-2007776-2 |
| 2 | H | 4.5 | 8-2007776-1 |
| 3 | G | 5.5 | 7-2007776-6 |
| 3 | G | 4.9 | 7-2007776-5 |
| 3 | G | 4.5 | 7-2007776-4 |
| 2 | G | 5.5 | 7-2007776-3 |
| 2 | G | 4.9 | 7-2007776-2 |
| 2 | G | 4.5 | 7-2007776-1 |
| 3 | F | 5.5 | 6-2007776-6 |
| 3 | F | 4.9 | 6-2007776-5 |
| 3 | F | 4.5 | 6-2007776-4 |
| 2 | F | 5.5 | 6-2007776-3 |
| 2 | F | 4.9 | 6-2007776-2 |
| 2 | F | 4.5 | 6-2007776-1 |
| 3 | E | 5.5 | 5-2007776-6 |
| 3 | E | 4.9 | 5-2007776-5 |
| 3 | E | 4.5 | 5-2007776-4 |
| 2 | E | 5.5 | 5-2007776-3 |
| 2 | E | 4.9 | 5-2007776-2 |
| 2 | E | 4.5 | 5-2007776-1 |
| 3 | D | 5.5 | 4-2007776-6 |
| 3 | D | 4.9 | 4-2007776-5 |
| 3 | D | 4.5 | 4-2007776-4 |
| 2 | D | 5.5 | 4-2007776-3 |
| 2 | D | 4.9 | 4-2007776-2 |
| 2 | D | 4.5 | 4-2007776-1 |
| 3 | C | 5.5 | 3-2007776-6 |
| 3 | C | 4.9 | 3-2007776-5 |
| 3 | C | 4.5 | 3-2007776-4 |
| 2 | C | 5.5 | 3-2007776-3 |
| 2 | C | 4.9 | 3-2007776-2 |
| 2 | C | 4.5 | 3-2007776-1 |
| 3 | B | 5.5 | 2-2007776-6 |
| 3 | B | 4.9 | 2-2007776-5 |
| 3 | B | 4.5 | 2-2007776-4 |
| 2 | B | 5.5 | 2-2007776-3 |
| 2 | B | 4.9 | 2-2007776-2 |
| 2 | B | 4.5 | 2-2007776-1 |
| 3 | A | 5.5 | 1-2007776-6 |
| 3 | A | 4.9 | 1-2007776-5 |
| 3 | A | 4.5 | 1-2007776-4 |
| 2 | A | 5.5 | 1-2007776-3 |
| 2 | A | 4.9 | 1-2007776-2 |
| 2 | A | 4.5 | 1-2007776-1 |
| 3 | - | 5.5 | 2007776-6 |
| 3 | - | 4.9 | 2007776-5 |
| 3 | - | 4.5 | 2007776-4 |
| 2 | - | 5.5 | 2007776-3 |
| 2 | - | 4.9 | 2007776-2 |
| 2 | - | 4.5 | 2007776-1 |
| FINISH | KEY POSITION | DIM M | PART NUMBER |

REFER TO WWW.TE.COM FOR PRODUCT AVAILABILITY



| | | | |
|--|--|--------------------------|--|
| THIS DRAWING IS A CONTROLLED DOCUMENT. | | DWN J. K. SHOBER 22DEC11 | TE TE Connectivity |
| DIMENSIONS: mm | | CHK J. EBY 22DEC11 | |
| TOLERANCES UNLESS OTHERWISE SPECIFIED: | | APVD J. EBY 22DEC11 | NAME: IMPACT, 3 PAIR, 10 COLUMN, HEADER LEFT GUIDED, OPEN END WALL SIGNAL MODULE, 0.46 PTH |
| 9 PLC ±0.25 | | PRODUCT SPEC | |
| 3 PLC ±0.13 | | APPLICATION SPEC | SIZE CAGE CODE DRAWING NO RESTRICTED TO |
| 5 PLC ± | | WEIGHT | A100779C=200776 |
| 4 PLC ± | | CUSTOMER DRAWING | SCALE 5:1 SHEET 2 OF 2 REV C |
| ANGLES ± | | | |
| FINISH SEE TABLE | | | |