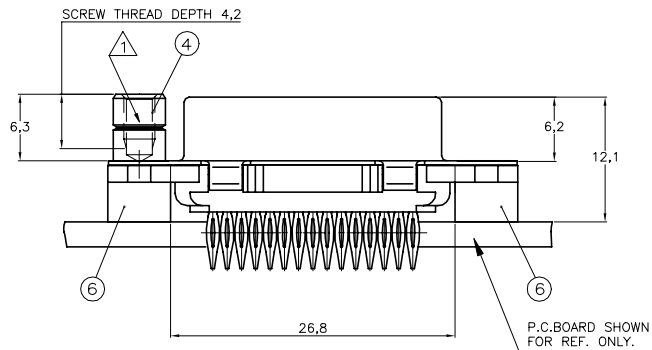
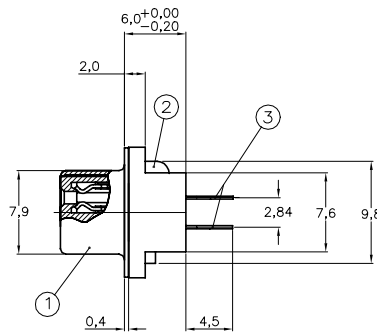
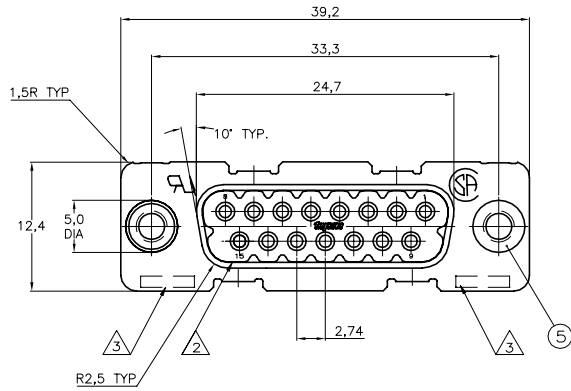


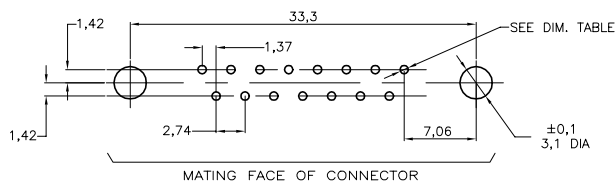
REVISIONS				
REV	LTR	DESCRIPTION	DATE	APPD
J2		ECO-20-004921	13APR2020	RR SH



P.C.B. HOLE DIM. FOR CONTACTS		
DRILLED HOLE	: 1,15 ± 0,025	mm
FIN. HOLE	: 0,94 to 1,09	mm
AFTER REFLOW	: 0,91 to 1,09	mm
Cu-thks	: 0,025 to 0,075	mm
SnPb-thks	: 0,004 to 0,010	mm

△ OBSOLETE PARTS: OBSOLETE CIS STREAMLINING PER D.RENAUD/D.SINIS

RECOMMENDED P.C. BOARD HOLE-LAYOUT



ACCESSORIES PREFIX "Z"	ITEM NO	DESCRIPTION OF ACCESSORY	QTY	UNIT	REV
5		BUSHING WITH THROUGHHOLE 3,1 DIA.	2		
5		BUSHING WITH THREAD 4-40 UNC	2		
5		BUSHING WITH THREAD M3	2		
4		FEMALE SCREWLOCK WITH 4-40 UNC	2		
4		FEMALE SCREWLOCK WITH M3	2		

HOW TO ORDER:  
 15 POS.-----> Z-338211-Y  
 PREFIX FOR ACCESSORIES }  
 BASIC PARTNR. }  
 SUFFIX FOR PLATING }  
 0-XXXXXX-Y  
 1-XXXXXX-Y  
 2-XXXXXX-Y  
 3-XXXXXX-Y  
 4-XXXXXX-Y

PLATING SUFFIX "Y"  
 GOLD OVER NICKEL AS PER PERFORMANCE LEVEL 2 (DIN 41652) } -Y = -2  
 PRESS-FIT PART:TIN-PLATING 3µm.

NOTES :  
 △ GROOVE INDICATES VERSION WITH 4-40 UNC INNER THREAD; WITHOUT GROOVE INDICATES VERSION WITH M3 INNER THREAD.  
 △ CAVITY IDENTIFICATION AT FRONT SIDE ONLY.  
 △ PARTNUMBER AND DATE CODE.  
 4. CONNECTOR CAN BE USED FOR PCB THICKNESS OF 1,6 mm MINIMUM AND THICKER.  
 5. AIR AND CREEPAGE DISTANCES ACCORDING TO DIN 41652

- ITEM NRS./MATERIAL :
- ① SHELL = BRIGHT TINPLATED STEEL
  - ② HOUSING = GLASSFILLED POLYESTER, COLOR : BLACK
  - ③ CONTACTS = PHOSPHORBRONZE (PLATING : SEE TABLE ABOVE)
  - ④ FEMALE SCREWLOCK = TINPLATED STEEL (INNER THREAD 4-40 UNC OR M3).
  - ⑤ BUSHING = TINPLATED STEEL (INNER THREAD 4-40 UNC OR M3 OR 3,1 DIA. THROUGHHOLE)
  - ⑥ STAND OFF = MAT: ULTRAMID V0 COLOR BLACK.

THIS DRAWING IS A CONTROLLED DOCUMENT.		OWN: D. KESSLER	25JAN99		
DIMENSIONS: mm		CHK: W. SOOMERS	APVD: -		
TOLERANCES UNLESS OTHERWISE SPECIFIED:		NAME		HDP-20 SIZE 2	
0 PLC ± -	1 PLC ± -	PRODUCT SPEC		VERTICAL+ RECEPTACLE HEADER;	
2 PLC ± -	3 PLC ± -	APPLICATION SPEC		PRESS-FITVERSION	
4 PLC ± -	ANGLES ± -	WEIGHT 0,000000		SIZE A2	CAGE CODE 00779
MATERIAL -		FINISH -		DRAWING NO C-338211	RESTRICTED TO -
CUSTOMER DRAWING		SCALE -		SHEET 1 of 1	REV J2