

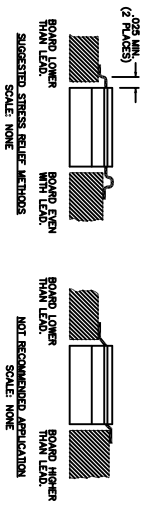
150-100RL

REVISIONS

REV	RCN	DESCRIPTION	DATE	APP
A	---	INITIAL RELEASE	11/89	TP
B	2976	UPDATED FLANGE DIMENSIONS	4/00	TJD
C	3608	UPDATE DRAWING & REVISE SPEC DATA	5/01	MS
D	4134	CHANGE FROM ELECTROLESS TO ELECTROLYTIC	3/02	TJD
E	80925	REFORMAT DWG NO.	4/11/05	JH

NOTES:

1. OPERATING TEMPERATURE: -55°C TO +150°C. (SEE CHART)
2. DESIGNED TO MEET OR EXCEED APPLICABLE PORTIONS OF MIL-E-5400 & MIL-R-55342.
3. LEAD LENGTH: .150 MIN.



SUGGESTED MOUNTING PROCEDURES:

1. MAKE SURE THAT THE DEVICES ARE MOUNTED ON FLAT SURFACES (.001" UNDER THE DEVICE) TO OPTIMIZE THE HEAT TRANSFER.
2. DRILL & TAP THE HEATSINK FOR THE APPROPRIATE THREAD SIZE TO BE USED.
3. COAT HEATSINK WITH A MINIMUM AMOUNT OF HIGH QUALITY SILICONE GREASE (.001" MAX. THICKNESS).
4. POSITION DEVICE ON MOUNTING SURFACE & SECURE USING SOCKET HEAD SCREWS, FLAT & SPURT WASHER, TORQUE SCREWS TO THE APPROPRIATE VALUE. MAKE SURE THAT THE DEVICE IS FLAT AGAINST THE HEATSINK (CARE SHOULD BE TAKEN TO AVOID UPWARD PRESSURE OF THE LEADS TOWARDS THE LD).
5. SOLDER LEADS IN PLACE USING 60/40 TYPE SOLDER WITH A CONTROLLED TEMPERATURE IRON (210°C).

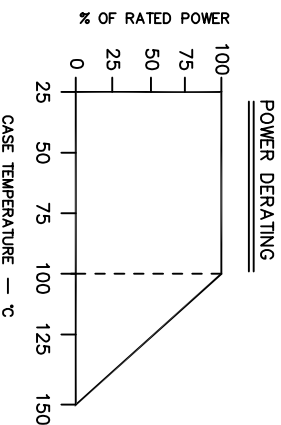
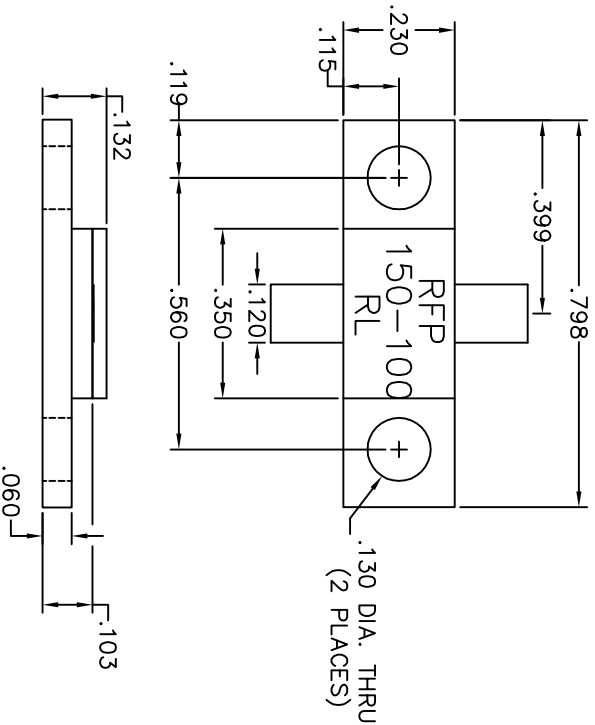
** FOR MORE DETAILS CONTACT FACTORY **

GENERAL SPECIFICATIONS:

RESISTIVE ELEMENT: PROPRIETARY THICK FILM
 SUBSTRATE: BERYLLIUM OXIDE CERAMIC
 COVER: ALUMINA CERAMIC
 MOUNTING FLANGE: COPPER, ELECTROLYTIC NICKEL PER QQ-N-290
 LEAD(S): 99.99% PURE SILVER (.005" THK.)

PERFORMANCE SPECIFICATIONS:

RESISTANCE VALUE: 100 OHMS, ±5%
 FREQUENCY RANGE: DC - 2.0 GHZ.
 INPUT POWER: 150 WATTS
 CAPACITANCE: 2.9 pF TYPICAL



THIS DRAWING CONTAINS PROPRIETARY INFORMATION ANY REPRODUCTION, DISCLOSURE OR USE OF THIS DRAWING IS EXPRESSLY PROHIBITED EXCEPT AS OTHERWISE AUTHORIZED IN WRITING.	
DGN BY	TP
CHEK BY	WK
ENG.	TJD
MFG.	NE
DATE	1/91
UNLESS OTHERWISE SPECIFIED DIMENSIONS ARE IN INCHES. TOLERANCES ON DECIMALS .XXX±.010	

RF POWER
 SUBSIDIARY OF ANAREN MICROWAVE

OUTLINE
 FULL FLANGE RESISTOR
 150 WATT 100 OHM

SIZE	CAGE CODE	DOC. TY	REV.
B	OBXB2	150-100RL	304 E
SCALE	4:1	REF	SHEET 1 OF 1