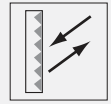


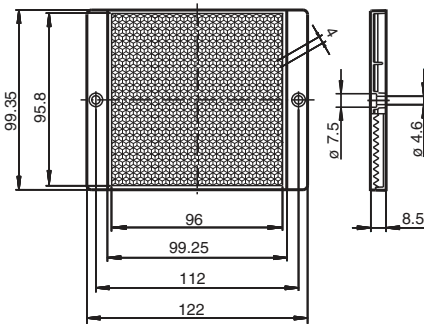
# Reflector REF-H100



- Mounting holes for simple installation

Reflector, rectangular 122 mm x 99.35 mm, mounting holes

## Dimensions



## Technical Data

### General specifications

Construction type rectangular

### Ambient conditions

Ambient temperature -40 ... 70 °C (-40 ... 158 °F)

### Mechanical specifications

Material PMMA  
 Dimensions 122 mm x 99.35 mm x 8.5 mm  
 Mounting mounting holes

Release date: 2020-03-23 Date of issue: 2020-06-29 Filename: 184360\_eng.pdf