



SPC208 O-ring (gasket) for Panel Mount Indicator

O-ring (gasket) designed to seal against water, oil, air and dust.
For L63 Series

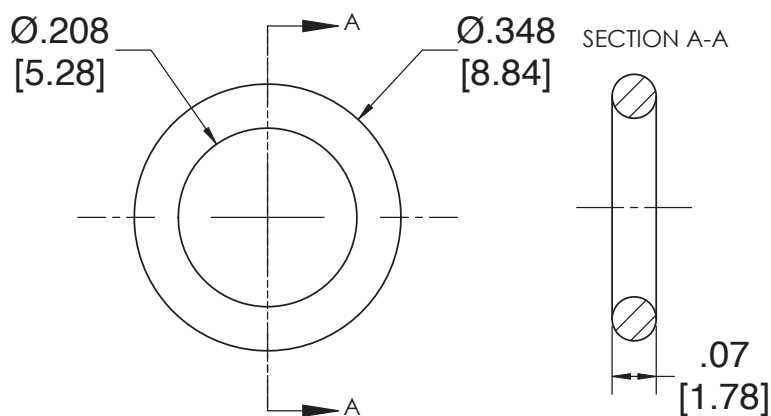
Applications

- Humid or dusty environments
- When there is presence of oil, grease, fluid, water or dirt

Key Features

- The panel gasket is intended to provide a seal between the panel and the Panel Mount Indicator.
- Molded in one piece from an elastomeric (rubber-like) material.
- Designed to seal many types of media, including water, air, dust, and oil.
- Meets ASTM D2000 standard.

Product Dimensions



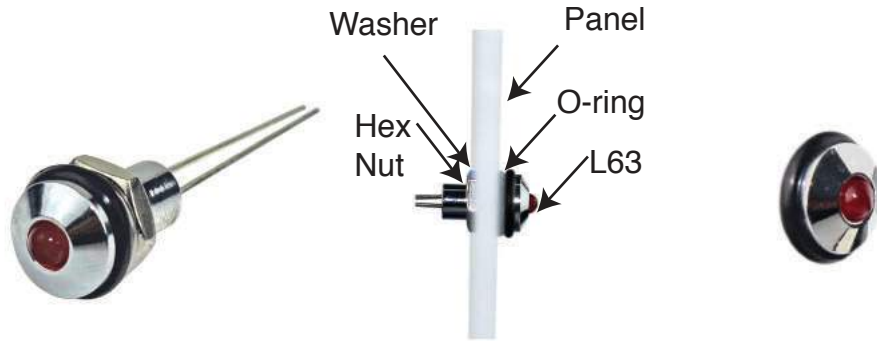
Dimensions in inches [mm]

Ordering Data

Part Number **SPC208**



SPC208



Examples: SPC208 in L63 Panel Mount Indicators

Product Specifications

Material
Buna-N, Durometer A70, black

Installation Specification	
Internal Diameter	0.208" (5.28 mm)
Thickness	0.07" (1.78 mm)
Operational Temperature	-20°F to +250°F -28.9°C to +121.1°C

Compliances and Approvals

