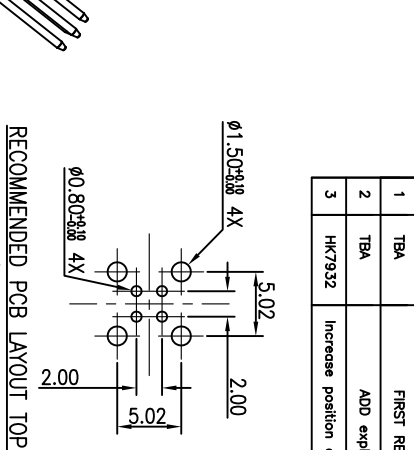
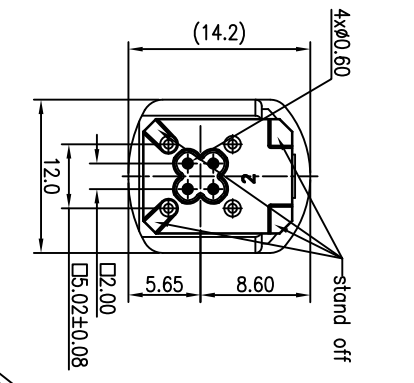
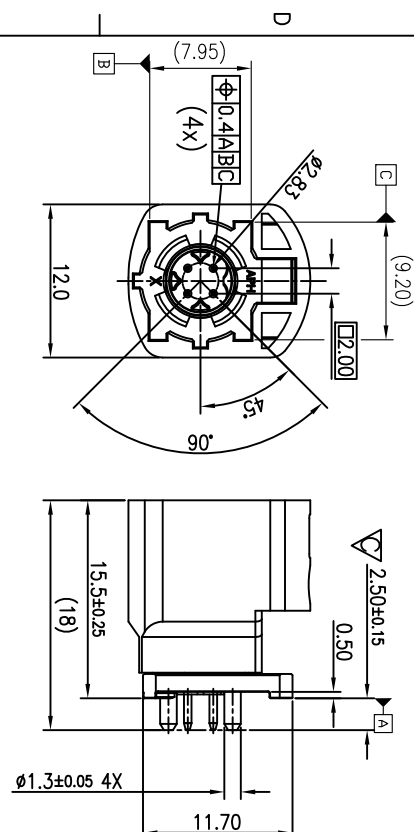
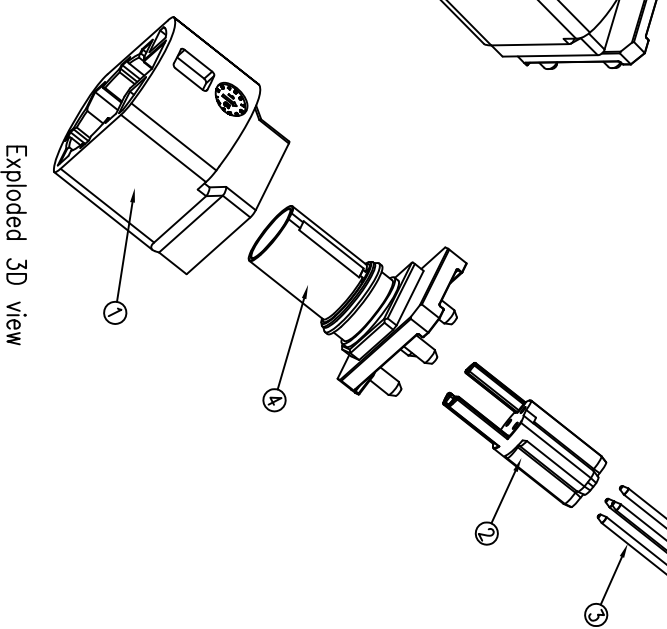
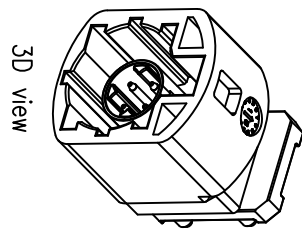
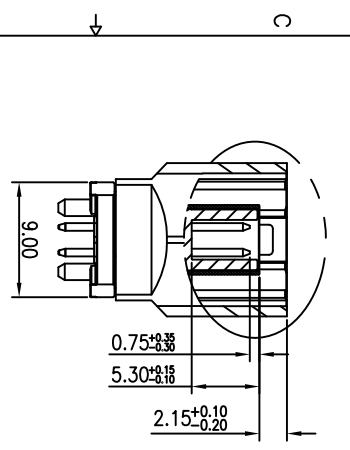


This document is the property of Amphenol Corporation and is intended for use in the design of a product. It is not to be disseminated, reproduced or used in whole or in part for manufacture or sale, for any purpose other than approval, without the written consent of Amphenol Corporation. Any use of this document or to use any information in this document.

# CUSTOMER DRAWING



REVISIONS			
SYM	ECN	DESCRIPTION	DATE
1	TBA	FIRST RELEASE	9/20/17
2	TBA	ADD exploded 3D VIEW	9/28/17
3	HK7932	Increase position and adjacent pin angle	11/30/17



Notes:

- Material:
  - ① Housing: PA4T 30%GF,color see table 1.
  - ② Dielectric: LCP 30%GF,color black.
  - ③ Center contacts: Brass H65.
  - ④ Outer contact : 3# Zinc alloy .
- Finish:
  - ③ Center contacts: Underplate: 1µm Min Ni; Mating area: 0.15µm Min gold; Solder tail: 0.02µm Min gold.
  - ④ Outer contact: Underplate: 1µm Min Ni; Top plating: 1.25 matte tin over all.

④ Outer contact: Underplate: 1µm Min Ni; Top plating: 1.25 matte tin over all.

3. Rohs compliant.

4. Dimension marked  $\nabla$  should be checked the cpk(>=1.33)

5. Order P/N system: HSD NXSP PCB25X

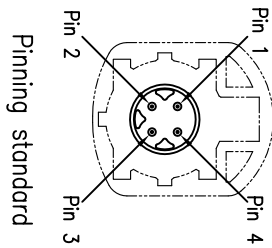
Coding: \_\_\_\_\_

See table 1

Packing method:

- A- Packing by tape & reel
- B- Packing by tray
- C- In bulk

PLUG CODING	COLOR	RAL
A	JET BLACK	SIM. 9005
B	CREAM	SIM. 9001
C	SIGNAL BLUE	SIM. 5005
D	CLARET VIOLET	SIM. 4004
E	LEAF GREEN	SIM. 6002
F	NUT BROWN	SIM. 8011
Z	WATER BLUE	SIM. 5021



UNLESS OTHERWISE SPECIFIED TOLERANCES		APPROVAL		DATE	
U.S.	METRIC	DRAWN	CHECKED	DATE	DATE
X +/-	0.50	HWY	HWY	11/30/17	
.XX +/-	0.25				
.XXX +/-	0.20				
FRACTIONS +/-					
ANGLES +/-	5°				

FOR MATERIALS AND FINISHES SEE NOTES REMOVE SHARP EDGES		DRAWING FILE: HSDNXSPPCB25X	
DIMENSIONS	UNITS	ANGLE OF PROJECTION	ANGLE OF PROJECTION
U.S.	INCHES		
METRIC	MM		

TITLE		PROPOSAL DRAWING FOR HSD VERTICAL PLUG CONNECTOR	
SIZE	DRAWING NO.	SCALE	REV.
A3	HSDNXSPPCB25X	N/A	3

Amphenol  
Amphenol East Asia Limited