

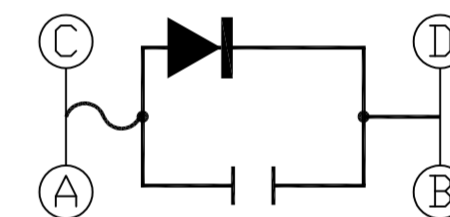
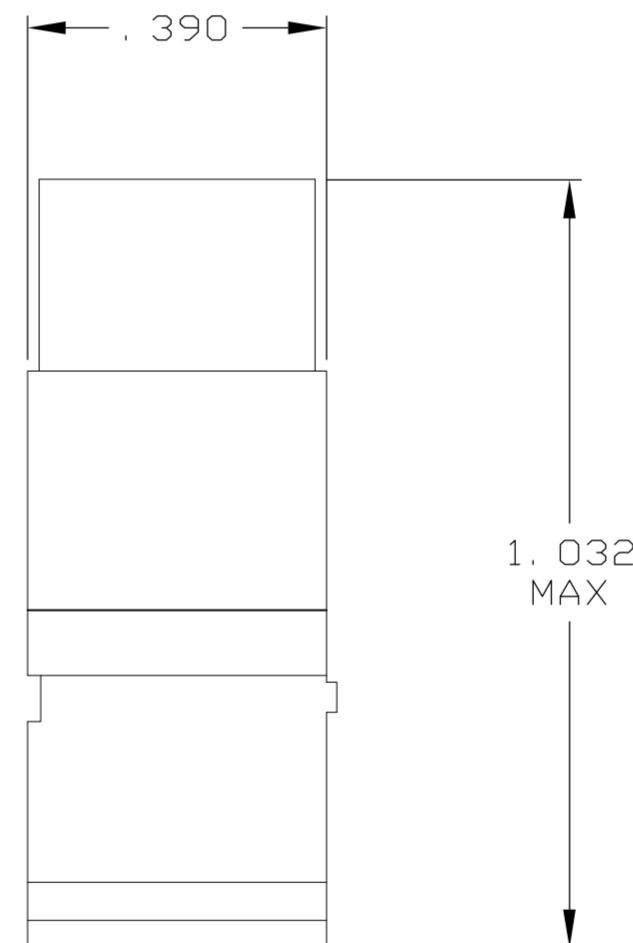
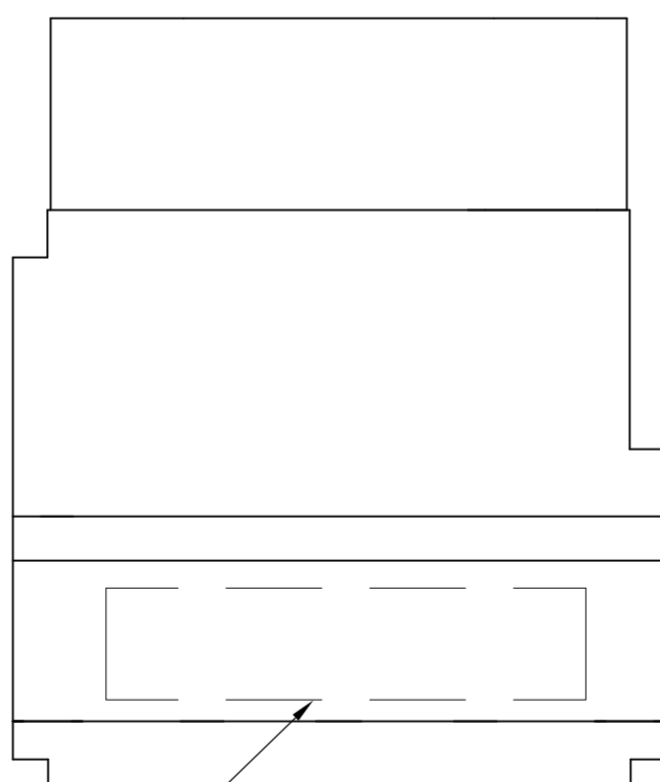
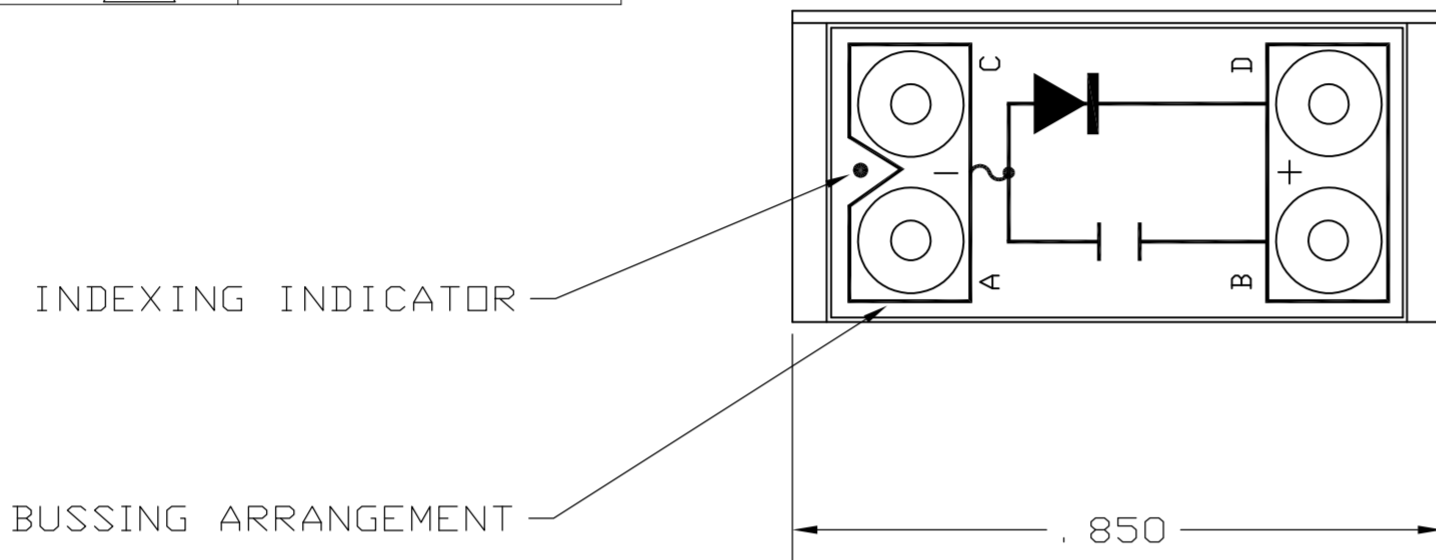
THIS DRAWING IS UNPUBLISHED. RELEASED FOR PUBLICATION  
 © COPYRIGHT BY TYCO ELECTRONICS CORPORATION. ALL RIGHTS RESERVED.

LOC		DIST		REVISIONS			
P	LTR	DESCRIPTION	DATE	DWN	APVD		
	D	REV PER ECD-08-022704	23OCT08	PY	DE		

DESCRIPTION	MATERIAL	FINISH
MODULE ASSEMBLY	D.A.P. PER MIL-M14	COLOR: GREEN
GROMMET	FLOURSILICONE 70/30 PER MIL-R-25988	COLOR: GREEN
CONTACT SOCKET	BERYLLIUM COPPER ASTM-B194	GOLD PLATE PER MIL-G-45204
RETAINING CLIP	BERYLLIUM COPPER ASTM-B194 OR STAINLESS STEEL PER QQ-S-766	NONE
DIODE	JAN1N5618 <sup>2</sup>	NONE

<sup>1</sup> MARK MODULE ASSEMBLY WITH "AMP", AMP PART NO. AND DATE CODE .060 MINIMUM CHARACTERS PER 115-10002-2.

<sup>2</sup> DIODE MQ1N5618, MX1N5618 OR MXV15618 MAY BE SUBSTITUTED FOR JAN1N5618. DIODE MAY BE A COMMERCIAL DIODE THAT HAS BEEN UP-SCREENED TO MEET THE REQUIREMENTS OF JAN1N5618



SCHEMATIC DIAGRAM

<sup>1</sup>

591891-1  
PART NUMBER

THIS DRAWING IS A CONTROLLED DOCUMENT.		DWN V. FURLER 24AUG05	Tyco Electronics Corporation Harrisburg, Pa 17105-3608	
DIMENSIONS: INCHES		CHK C. THOMAS 24AUG05	NAME D. EABY	
TOLERANCES UNLESS OTHERWISE SPECIFIED:		APVD D. EABY 24AUG05	PRODUCT SPEC -	
0 PLC ± -		APPLICATION SPEC -	SIZE A2	CAGE CODE 00779
1 PLC ± -		WEIGHT -	DRAWING NO C-591891	RESTRICTED TO -
2 PLC ± -		CUSTOMER DRAWING		
3 PLC ± .005		SCALE 4: 1	SHEET 1 OF 1	REV D
4 PLC ± -				
ANGLES ± -				
FINISH -				