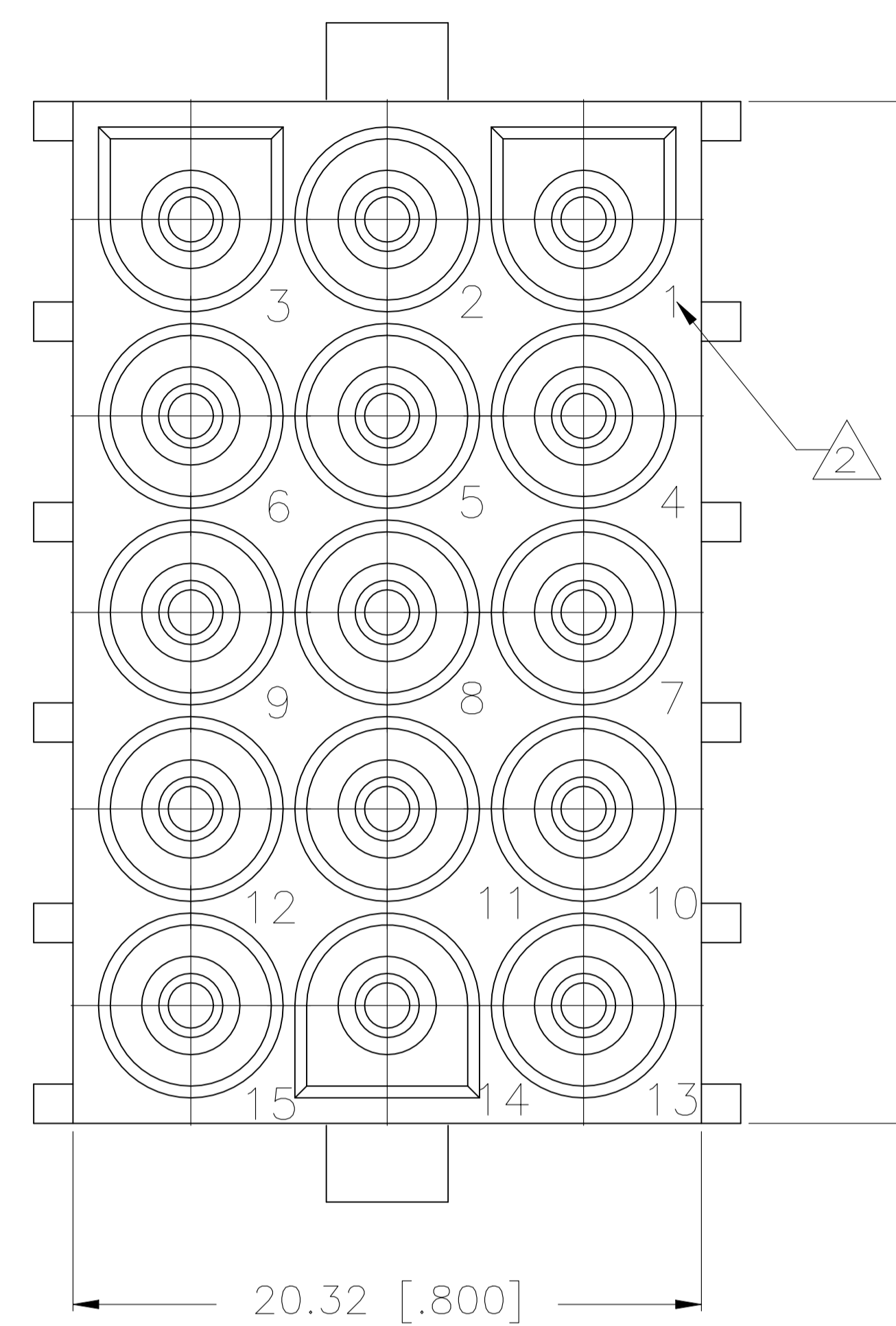
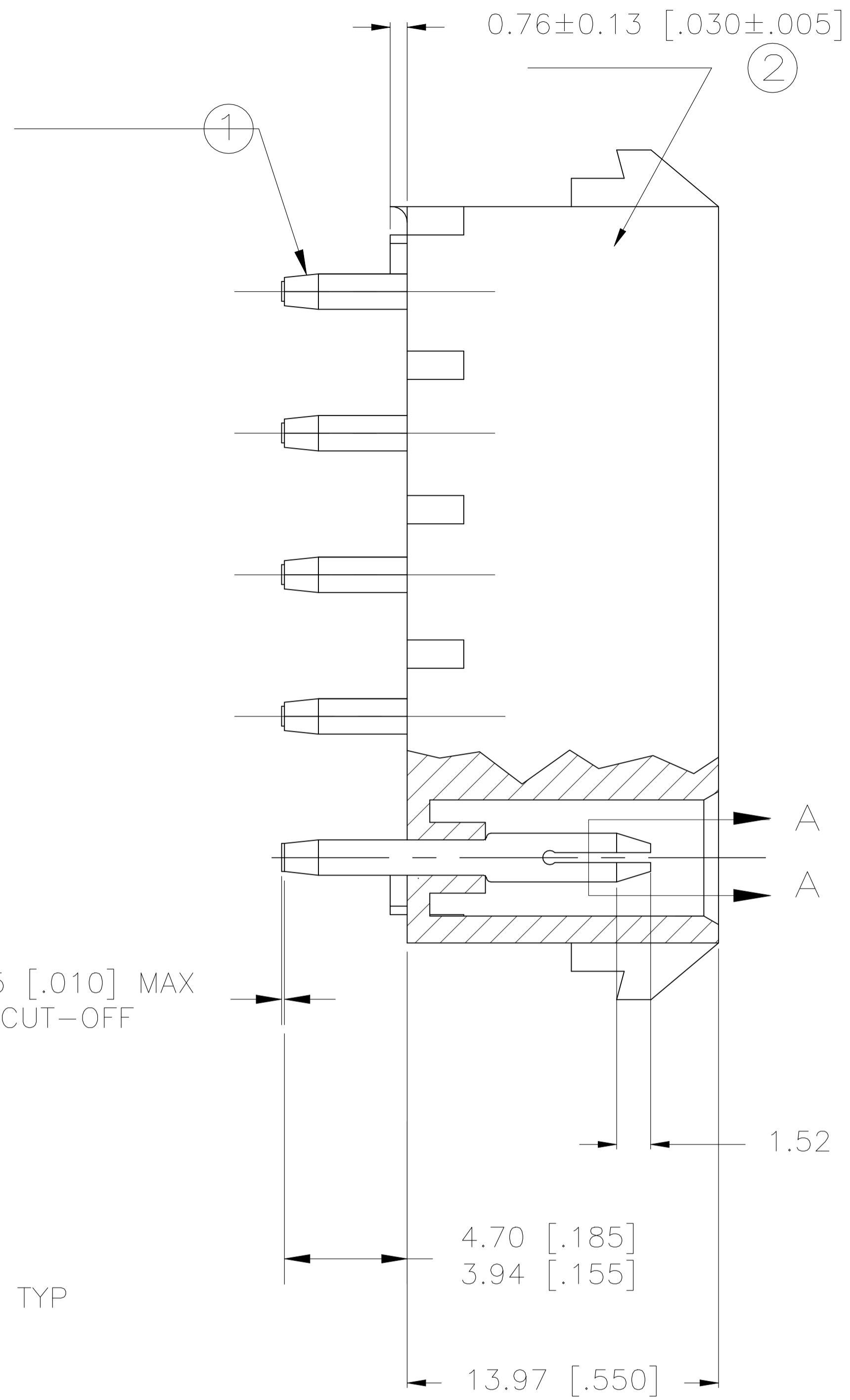
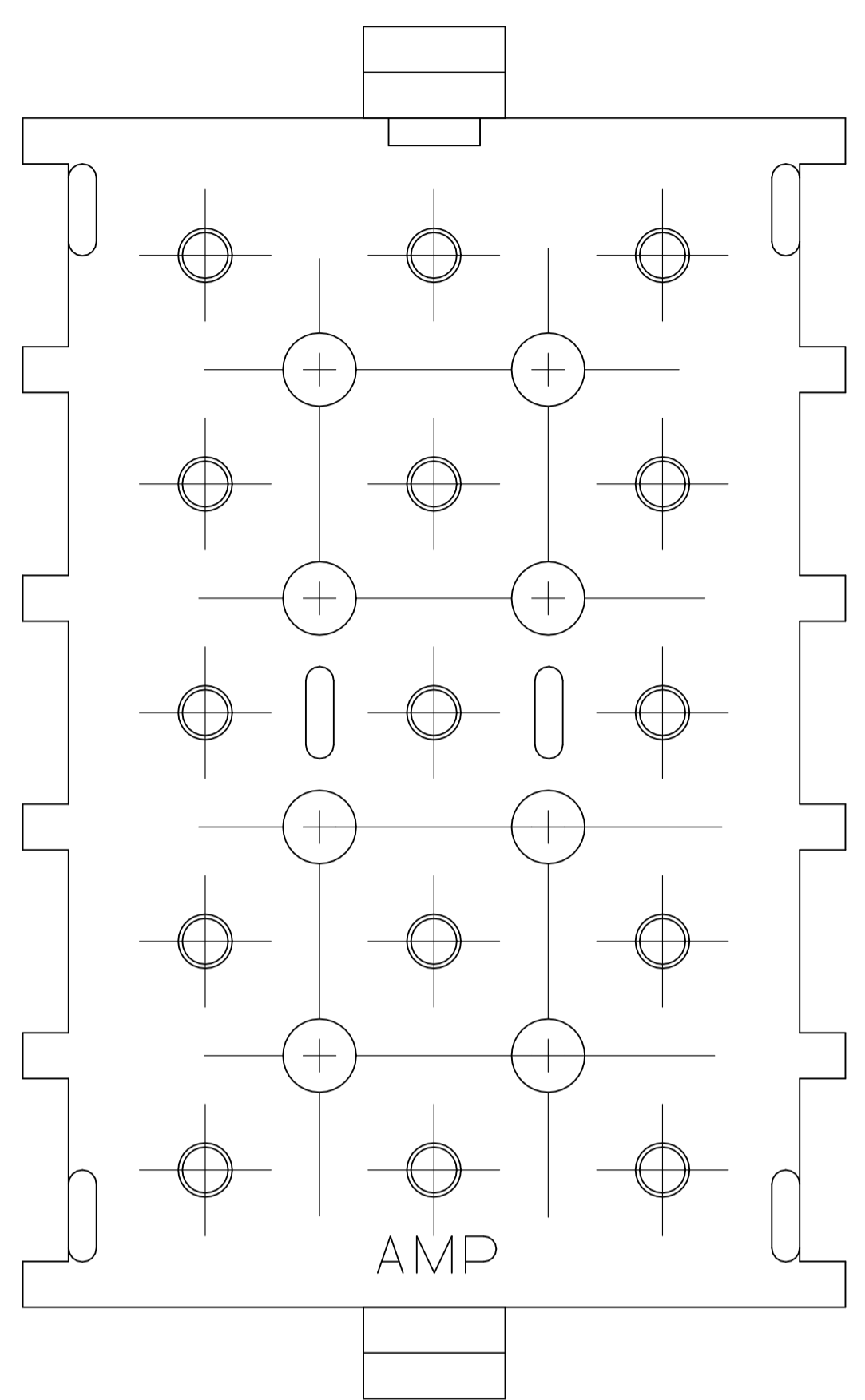


REVISIONS				
P	LTR	DESCRIPTION	DATE	OWN APVD
A		REVISED PER ECR-21-118133	22OCT2021	SS VS

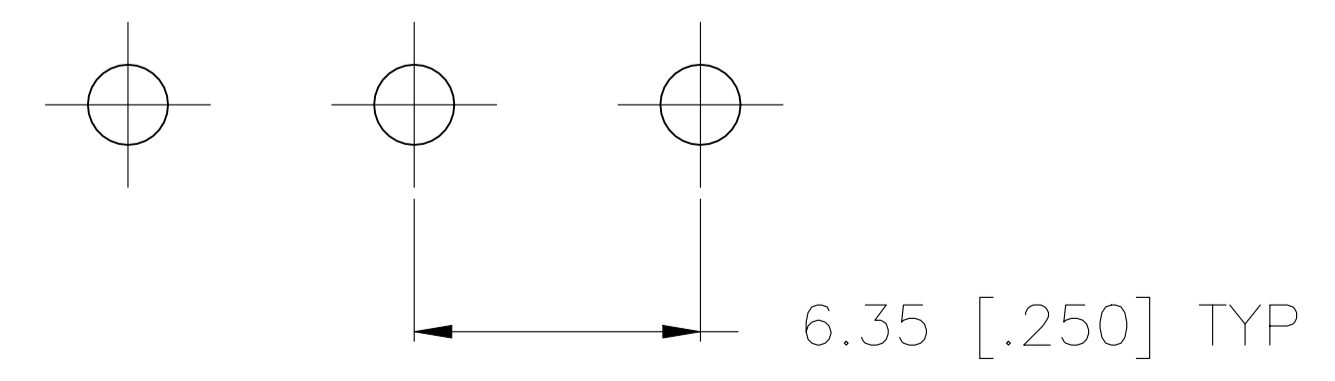
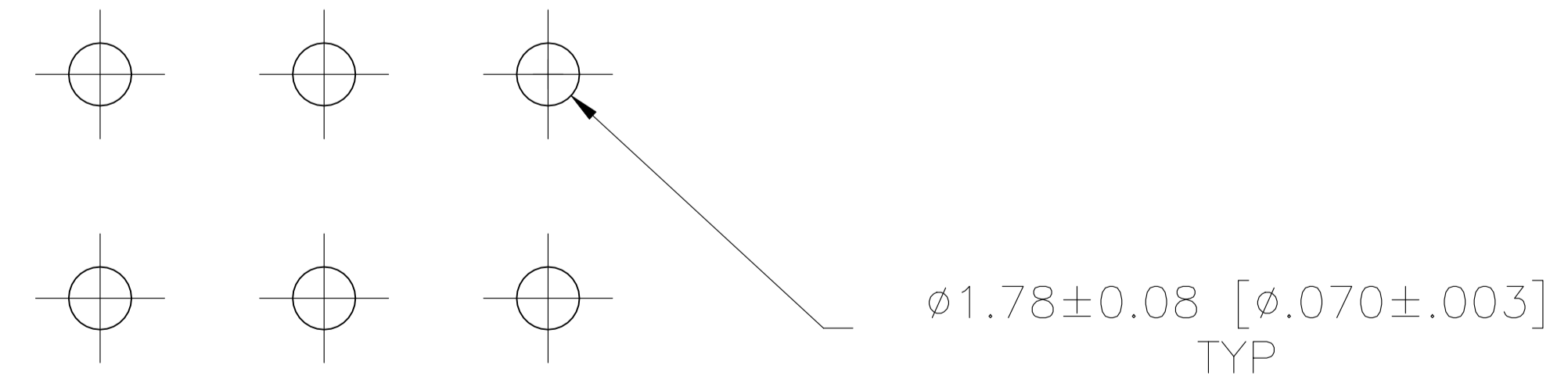
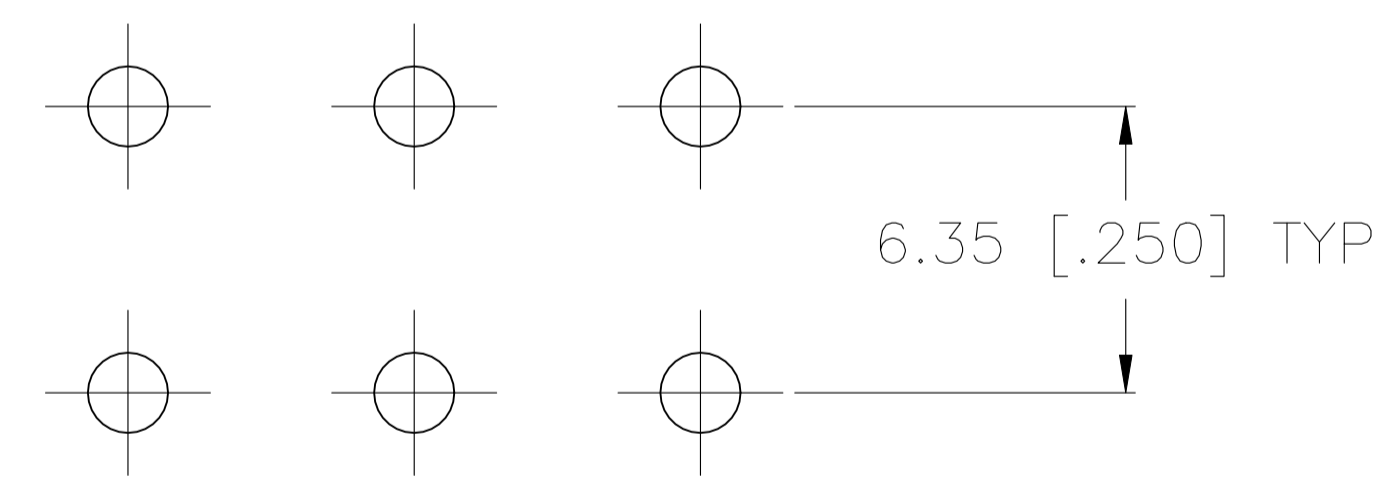


33.02 [1.300]

2.00 [.078]
1.85 [.073]

ø2.26 [ø.088]
ø2.08 [ø.083]

20.32 [.800]



RECOMMENDED LAYOUT FOR 1.58 [.062] THICK PC BOARD

- PARTS MUST COMPLY WITH AMP SOLDERABILITY SPEC 109-11-3.
- CIRCUIT IDENTIFICATION CHARACTERS ARE ADJACENT TO THE INDICATED CAVITIES, BUT LOCATION AND ORIENTATION MAY DIFFER FROM PRINT.
- DIMENSIONS SHOWN REPRESENT PRODUCT IN DRY CONDITION. ADDITIONAL 2% GROWTH DUE TO END USE LOCATION MOISTURE ABSORPTION MAY OCCUR AND SHOULD BE ACCOUNTED FOR.

SECTION A-A
SCALE 12:1

METRIC

QTY	DESCRIPTION	PART NO.
1	HOUSING-NYLON, 94V-0 WHITE (2)	
15	PIN HEADER-PH BRZ, PRE-TIN (1)	1586170-1

THIS DRAWING IS A CONTROLLED DOCUMENT.		DWN: S. HOOVER 19-NOV-2003 DSK: S. RIDGILL 19-NOV-2003 APVD: S. RIDGILL 19-NOV-2003 PRODUCT SPEC		TE Connectivity	
DIMENSIONS: mm [INCHES] TOLERANCES UNLESS OTHERWISE SPECIFIED: 0 PLC ± 1 PLC ± 2 PLC ± 3 PLC ± 0.13 [.005] 4 PLC ± ANGLES FINISH #		APPLICATION SPEC WEIGHT 0.000000 CUSTOMER DRAWING		NAME ASSEMBLY, HEADER, NO DRAIN HOLES, 15 CIRCUIT, UNIVERSAL MATE-N-LOK™ SIZE A1 CASE CODE 00779 DRAWING NO. 1586170 RESTRICTED TO	
MATERIAL: SEE CHART		SCALE 6:1		SHEET 1 OF 1 REV A	