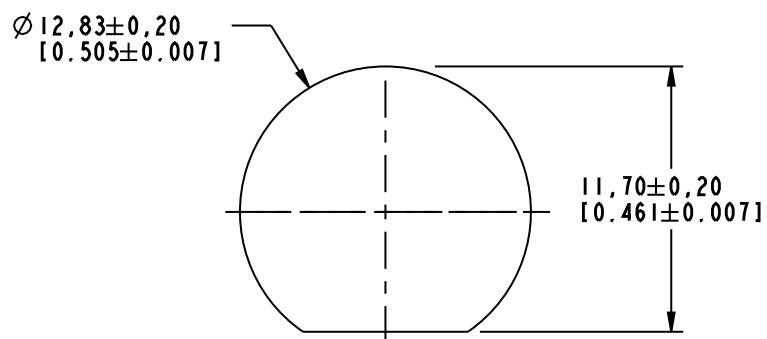
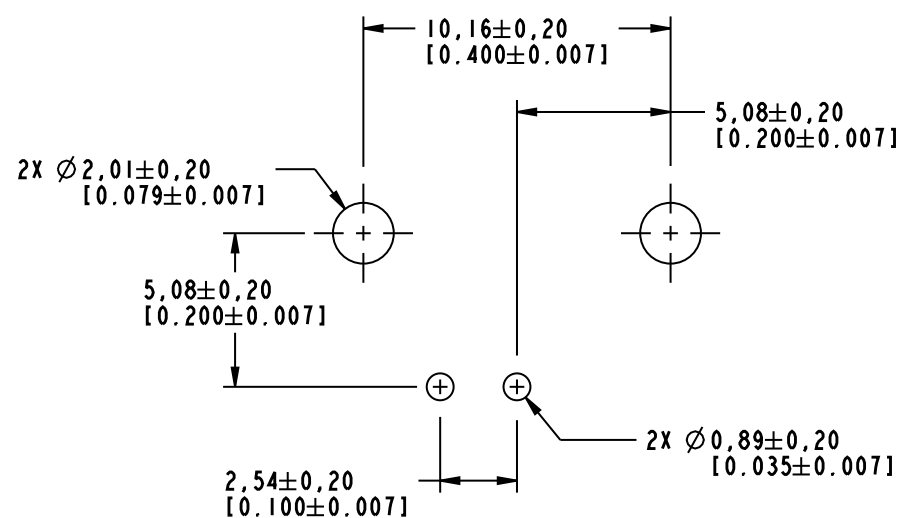


112416
DRAWING NO.
THIRD ANGLE PROJ.

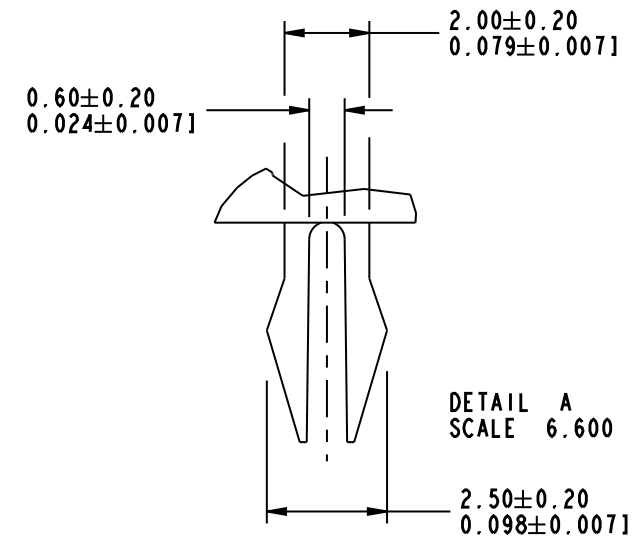
REVISIONS				
REV	DESCRIPTION	DATE	ECO	APPR
A	UPDATE DRAWING FORMAT/MODIFY BODY	02/12/04		
B	REVISE BACK HOUSING SHOWING BACK CONTACT PINS CAPTIVATED	06/28/07		
C	HARDWARES REMOVED	19-Jan-10	2012	NMV



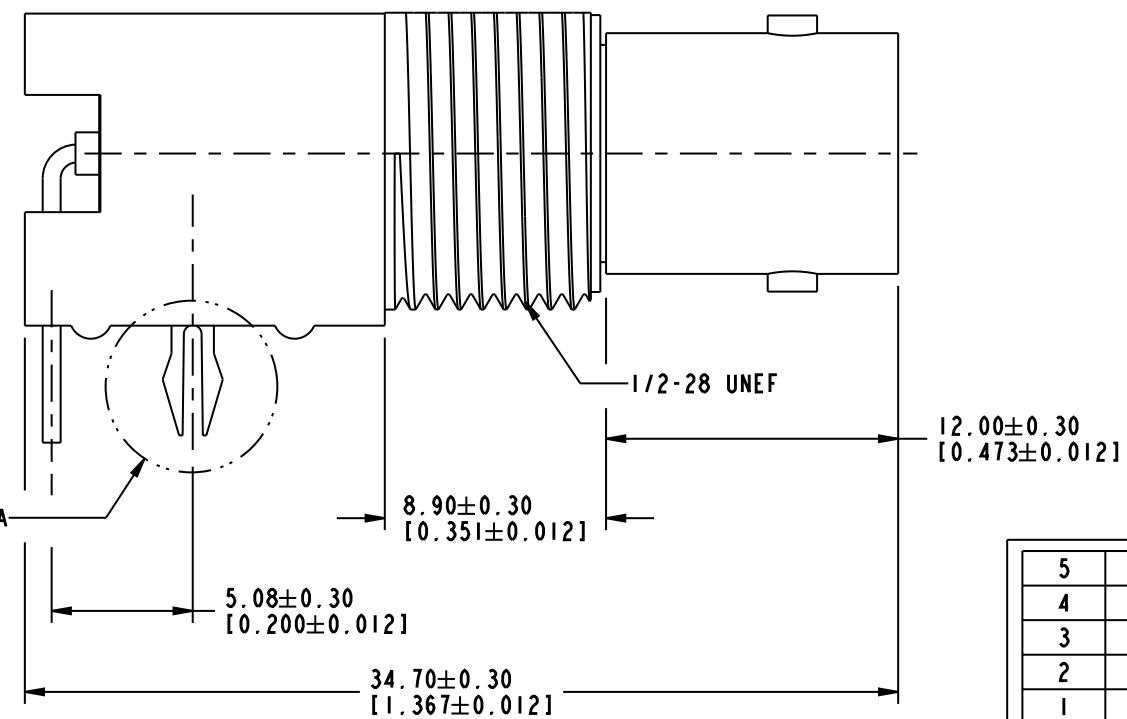
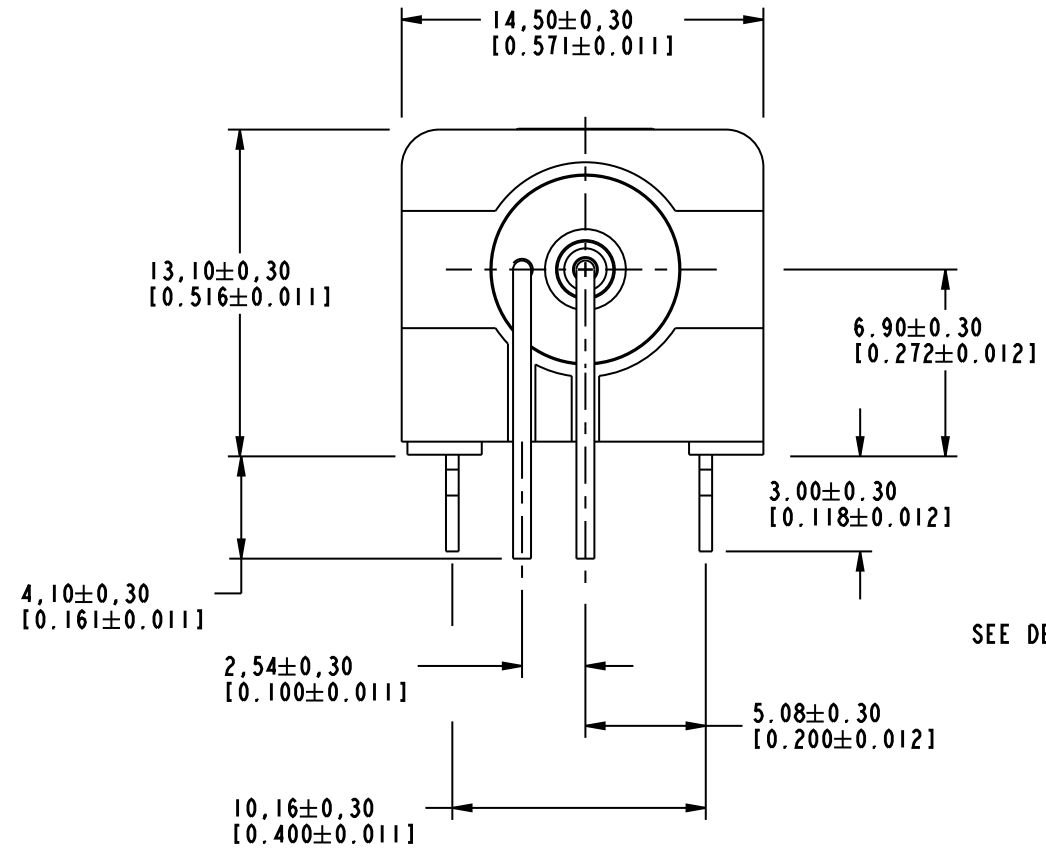
SCALE 3.000
RECOMMENDED MOUNTING HOLE



SCALE 4.000
PCB MOUNTING HOLES



DETAIL A
SCALE 6.600



ITEM	DESCRIPTION	MATERIAL	FINISH	QTY
5	MOUNTING POST	BRASS	TIN PLATED	1
4	CONTACT PIN	PHOSPHOROUS BRONZE	GOLD	1
3	INSULATOR	P.P	NATURAL	1
2	BODY	ZINC DIE CAST	NICKEL	1
1	HOUSING	P.B.T	WHITE	1

UNLESS OTHERWISE SPECIFIED, DIMENSIONS ARE IN INCHES AND TOLERANCES ARE: 2 PLACE DECIMAL ±.015 (0,381 mm) 3 PLACE DECIMAL ±.005 (0,127 mm) ANGLES ± 1°	MATERIAL	DRAWN NISCHIT MV	DATE 19-Jan-10	TITLE BNC R/A PC MOUNT RECEPTACLE JACK	Amphenol Connex
	REFERENCE	ENGINEER NISCHIT MV	DATE 19-Jan-10		
NOTICE - These drawings, specifications, or other data (1) are, and remain the property of Amphenol Corp. (2) must be returned upon request; and (3) are confidential and not to be disclosed to any person other than those to whom they are given by Amphenol Corp. The furnishing of these drawings, specifications, or other data by Amphenol Corp., or to any other person to anyone for any purpose is not to be regarded by implication or otherwise in any manner licensing, granting rights or permitting such holder or any other person to manufacture, use or sell any product, process or design, patented or otherwise, that may in any way be related to or disclosed by said drawings, specifications, or other data.		APPROVED	DATE		
		CAD FILE Root Folder/BNC/112416	DWG SIZE B	DRAWING NO. 112416	SCALE: 3.3:1