

WITHOUT CPA	WITH CPA	CIRCUIT SIZE	POLARIZATION	CONNECTOR HOUSING COLOR	TESTED WITH THE FEMALE TERMINAL	CAVITY WITH A NUMBER INDICATES BLOCKED TERMINAL POSITION CAVITY WITHOUT A NUMBER INDICATES OPEN TERMINAL POSITION								TOTAL CIRCUITS PLUGGED	STATUS	WIRE DRESS COVER(OPTIONAL)		
						1	2	3	4	5	6	7	8			HORIZONTAL	VERTICAL	
31404-9100	31404-9110	1X8	A	BLACK	TE GEN Y 0.64MM TERMINAL /YAZAKI FLX 0.64MM.TERMINAL								0	SALABLE				
31404-9101	31404-9111		A	BLACK											1	SALABLE		
31404-9102	31404-9112		A	BLACK											2	SALABLE		
31404-9103	31404-9113		A	BLACK											3	SALABLE		
31404-9104	31404-9114		A	BLACK											4	SALABLE		
31404-9105	31404-9115		A	BLACK											5	SALABLE		
31404-9106	31404-9116		A	BLACK											6	SALABLE		
31404-9107	31404-9117		A	BLACK											7	SALABLE		
31404-9108	31404-9118		A	BLACK											8	SALABLE		
31404-9109	31404-9119		A	BLACK											3	SALABLE		
31404-9121	31404-9131		A	BLACK											1	SALABLE		
31404-9122	31404-9132		A	BLACK											2	SALABLE		
31404-9123	31404-9133		A	BLACK											3	SALABLE		
31404-9124	31404-9134		A	BLACK											4	SALABLE		
31404-9125	31404-9135		A	BLACK											5	SALABLE		
31404-9126	31404-9136		A	BLACK											6	SALABLE		
31404-9127	31404-9137		A	BLACK											7	SALABLE		
31404-9128	31404-9138		A	BLACK											8	SALABLE		
31404-9129	31404-9139		A	BLACK											3	SALABLE		
31404-9141	31404-9151		A	BLACK											1	SALABLE		
31404-9142	31404-9152		A	BLACK											2	SALABLE		
31404-9143	31404-9153		A	BLACK											3	SALABLE		
31404-9144	31404-9154		A	BLACK											4	SALABLE		
31404-9161	31404-9171		A	BLACK											1	SALABLE		
31404-9162	31404-9172		A	BLACK											2	SALABLE		
31404-9163	31404-9173		A	BLACK											3	SALABLE		
31404-9182	31404-9192		A	BLACK											2	SALABLE		
31404-9183	31404-9193		A	BLACK											3	SALABLE		
31404-9501	31404-9511		A	LT.GRAY											1	SALABLE		
31404-9502	31404-9512		A	BLACK											2	SALABLE		
31404-9503	31404-9513		A	BLACK											3	SALABLE		
31404-9522	31404-9532		A	BLACK											2	SALABLE		
31404-9523	31404-9533		A	BLACK											3	SALABLE		
31404-9542	31404-9552		A	BLACK											2	SALABLE		
31404-9543	31404-9553		A	BLACK											3	SALABLE		
31404-9562	31404-9572		A	BLACK											2	SALABLE		
31404-9563	31404-9573		A	BLACK											3	SALABLE		
31404-9583	31404-9593		A	BLACK											7	SALABLE		
31404-9584	31404-9594		A	BLACK											8	SALABLE		
31404-9200	31404-9210		B	LT.GRAY											0	SALABLE		
31404-9203	31404-9213		B	LT.GRAY											7	SALABLE		
31404-9204	31404-9214		B	LT.GRAY											8	SALABLE		
31404-9300	31404-9310		C	DK.GRAY											0	SALABLE		
31404-9400	31404-9410		D	TBD											0	NOT TOOL		
31404-9001	31404-9006		B	BLACK											0	SALABLE		
31404-9002	31404-9007		C	BLACK											0	SALABLE		
31404-9003	31404-9008	C	LT.GRAY										0	SALABLE				
31404-9004	31404-9009	A	DK.GRAY										0	SALABLE				
31404-9005	31404-9010	B	DK.GRAY										0	SALABLE				
31404-9184	31404-9194	A	BLACK										6	SALABLE				

TABLE OF CONTENTS	
SHEET NO.	SHEET DESCRIPTION
1	NOTE
2	BOM
3	KEY CONFIGURATION
4	WIRE DRESS COVER ASSEMBLY

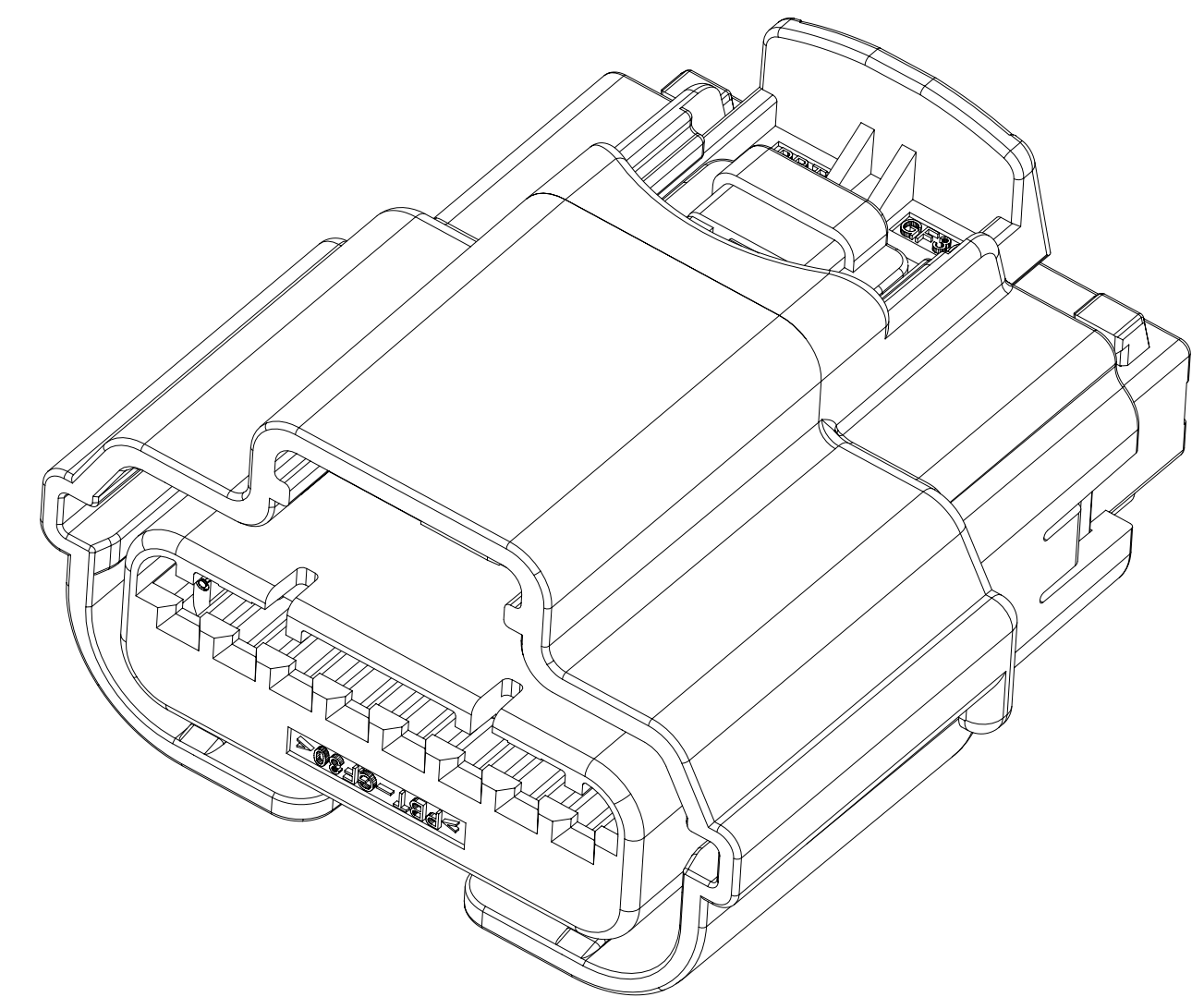
NOTES: VALID UNLESS OTHERWISE SPECIFIED

1. GENERAL:
- a. APPLICATION SPECIFICATION SEE: AS-31402-000
  - DESIGNED TO MATE WITH DEVICE CONNECTION AS SPECIFIED IN USCAR INTERFACE DRAWING FOR SINGLE ROW SEALED 0.64 SYSTEMS. 064-S-008-1-202.
  - ASSEMBLY SHIPPED WITH TPA IN PRE-SET POSITION (SEE SECTION Z-Z) UPON FULL TERMINAL ASSEMBLY, TPA MUST BE SNAPPED INTO ITS FINAL LOCK POSITION AFTER TERMINALS ARE ASSEMBLED (SEE SECTION Y-Y)
  - TPA'S MAY BECOME SEATED DURING TRANSIT. IF THIS OCCURS, TPA'S SHOULD BE MOVED TO THE PRE-LOCKED POSITION PRIOR TO FEMALE TERMINAL INSTALLATION. REFERENCE PRODUCT SPECIFICATION: PS-34646-001.
  - SYSTEM TO BE USED WITH WIRE WITHIN RANGE OF:
    - >SAE 22 AWG TO 18 AWG
    - >ISO 0.35MM<sup>2</sup> TO 0.75MM<sup>2</sup> PER GMW156256
    - >CABLE OUTSIDE DIAMETER: FROM 1.2MM TO 1.9 MM
  - b. PRODUCT SPECIFICATION SEE: PS-31404-001
  - c. PACKAGING SPECIFICATION PER MOLEX DRAWING: PK-31300-256
  - d. PARTS MUST BE IN COMPLIANCE TO MOLEX CHEMICAL SUBSTANCES FOR PRODUCTS AND PACKAGING SPECIFICATION: ES-40000-5016
  - e. DATA MUST BE SUBMITTED UNDER THE MOLEX PART NUMBER TO IMDS (COMPANY ID#13255)
2. DESIGN - MATERIALS:
- a. SEE BOM TABLE IN PAGE 2
3. DESIGN - GEOMETRY:
- a. THIS IS A 100% CAD GENERATED PART. THE CAD MATHEMATICAL DATA IS THE MASTER FOR THIS PART. FOR DIMENSIONAL OR ANY INFORMATION
  - b. DATE CODE: FIRST TWO DIGITS ARE THE CALENDAR YEAR (EXAMPLE: 13 = 2013), THIRD THROUGH 5TH DIGIT DAY # OF THE CALENDAR YEAR (EXAMPLE: FEB. 3RD = '034).
  - c. VISUAL DEFECTS SHALL MEET COSMETIC STANDARD PS-45499-002 (Class B)

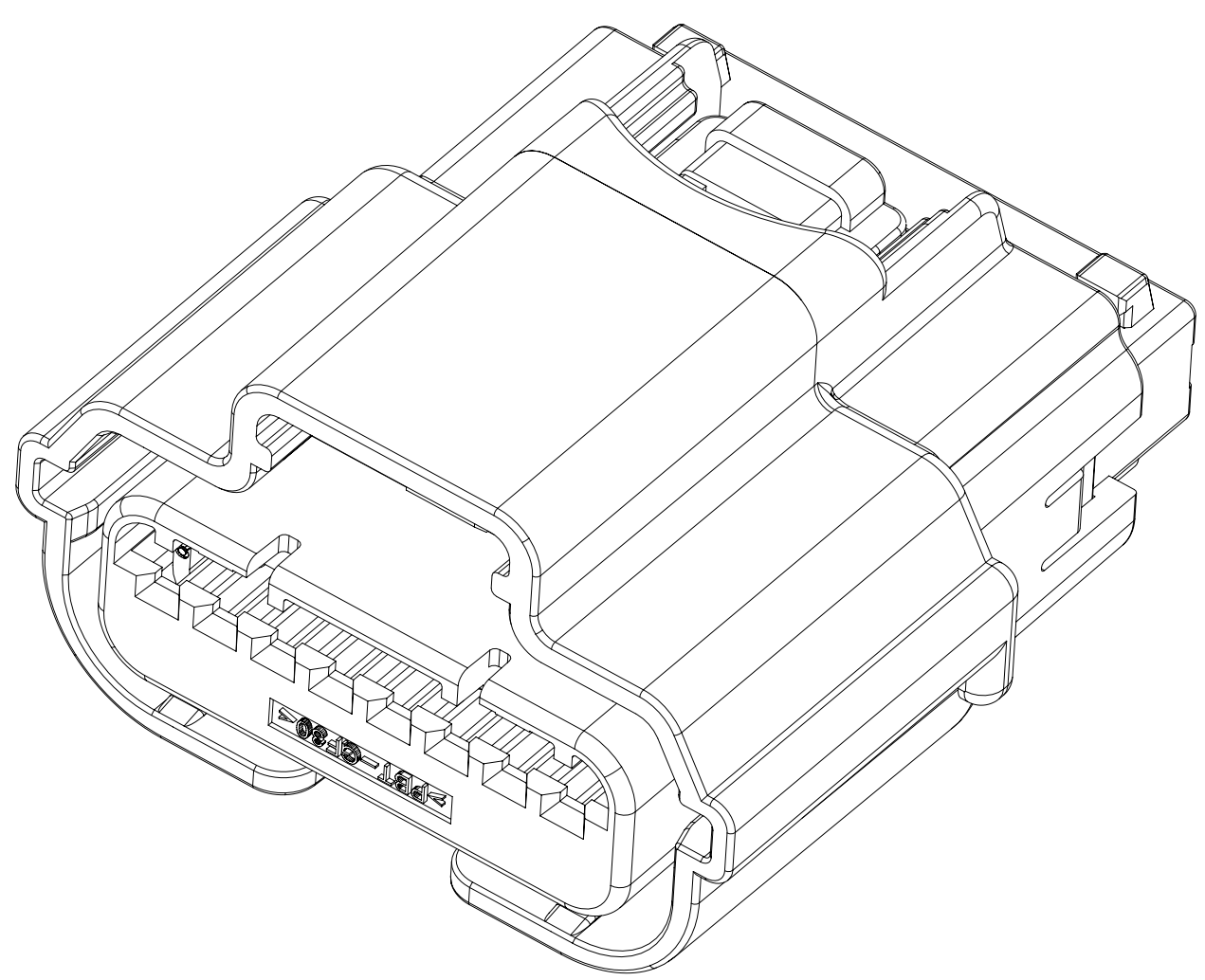
PART NUMBER LEGEND  
CONNECTOR ASSEMBLY  
31404-9XXX

- 0 - ALL CIRCUITS OPEN
  - 1-9 - SEE CHART
- CPA OPTION  
0, 2, 4, 6 OR 8 WITHOUT CPA  
1, 3, 5, 7 OR 9 WITH CPA
- POLARIZATION OPTION  
1 OR 5- POLARIZATION A  
2 OR 6- POLARIZATION B  
3 OR 7- POLARIZATION C  
4 OR 8- POLARIZATION D

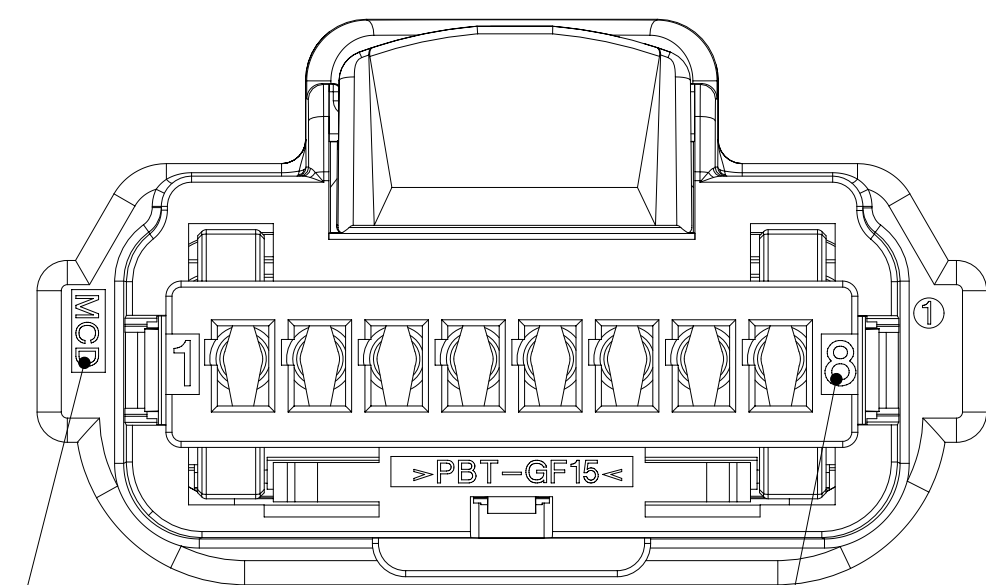
G10	ADD P/N: 31404-9184/9194
G9	UPDATE CONFIGURATION FOR P/N 31404-9144/9154
G8	ADD P/N: 31404-9001 TO 9010, 31404-9144/9154
G7	ADD P/N: 31404-9128/9138, 31404-9129/9139
G6	ADD P/N: 31404-9127/9137
G5	ADD P/N: 31404-9125/9135
G4	ADD P/N: 31404-9109/9119
G3	ADD P/N: 31404-9203/9213, DELETE OBSOLETE P/Ns (31404-8XXX)
G2	UPDATE COLOR DESCRIPTION
G1	ADD P/N: 31404-9107/9117, 31404-9108/9118
G	OBSOLETE P/N 31404-8XXX ADD NEW P/N 31404-9501/31404-9511
F	ADD P/N 31404-9583/9593, 31404-9584/9594 AND 31404-9204/9214 CHANGE STATUS FROM "TOOED" TO "SALABLE"
E6	CHANGE P/N 31401-9101 TO 31404-9101
E3	ADD P/N: 31404-8563/8573 AND 31404-9563/9573
E2	ADD P/N: 31404-8126/8136 AND 31404-9126/9136
E1	ADD P/N: 31404-8106/8116 AND 31404-9106/9116
E	ADD P/N:31404-9XXX BASED ON THE PRODUCT UPGRADE
D3	ADD P/N: 31404-8562, 31404-8572,
D2	ADD P/N: 31404-8161 AND 31404-8171 31404-8542 AND 31404-8552 AND MANUFACTURING LOCATION ID
D1	ADD P/N: 31404-8522 AND 31404-8532
D	ADD P/N: 31404-8502 AND 31404-8512
C2	UPDATE NOTE 1_a ADD TE TERMINAL IN THE LIST
C1	UPDATE TERMINAL AND WIRE INFORMATION
C	ADD WIRE DRESS CONVER P/N.
B	ADD P/N
A	INITIAL RELEASE SAP # 10647976
REV	REV DESCRIPTION



WITH CPA



WITHOUT CPA



MANUFACTURING LOCATION ID

CIRCUIT ID

INSPECTION BALLOON NUMBER LOG	
PER DRAWING REVISION:	F
LAST BALLOON NUMBER USED:	4
ADDED BALLOON NUMBERS:	
REMOVED BALLOON NUMBERS:	

SYMBOLS	THIS DRAWING CONTAINS INFORMATION THAT IS PROPRIETARY TO MOLEX ELECTRONIC TECHNOLOGIES, LLC AND SHOULD NOT BE USED WITHOUT WRITTEN PERMISSION	DIMENSION UNITS	SCALE	CURRENT REV DESC:
▽ = 0		mm	4:1	EC NO: 662414
▽ = 0		GENERAL TOLERANCES (UNLESS SPECIFIED)		DRWN: MCHEN37 2021/04/29
▽ = 0		ANGULAR TOL ± 1.0°		CHK'D: JDENG02 2021/05/18
▽ = 0		4 PLACES ±		APPR: JDENG02 2021/05/18
▽ = 0		3 PLACES ±		INITIAL REVISION:
▽ = 0		2 PLACES ± 0.13		DRWN: GLI04 2014/06/12
▽ = 0		1 PLACE ± 0.25		APPR: DC LISLE 2014/07/28
▽ = 0		0 PLACES ±		
▽ = 0		DRAFT WHERE APPLICABLE MUST REMAIN WITHIN DIMENSIONS		THIRD ANGLE PROJECTION
▽ = 0				DRAWING SERIES
▽ = 0				A1-SIZE 31404

**molex**

USCAR 0.64MM 8 WAY  
ADD NEW P/N: 314049184/9194

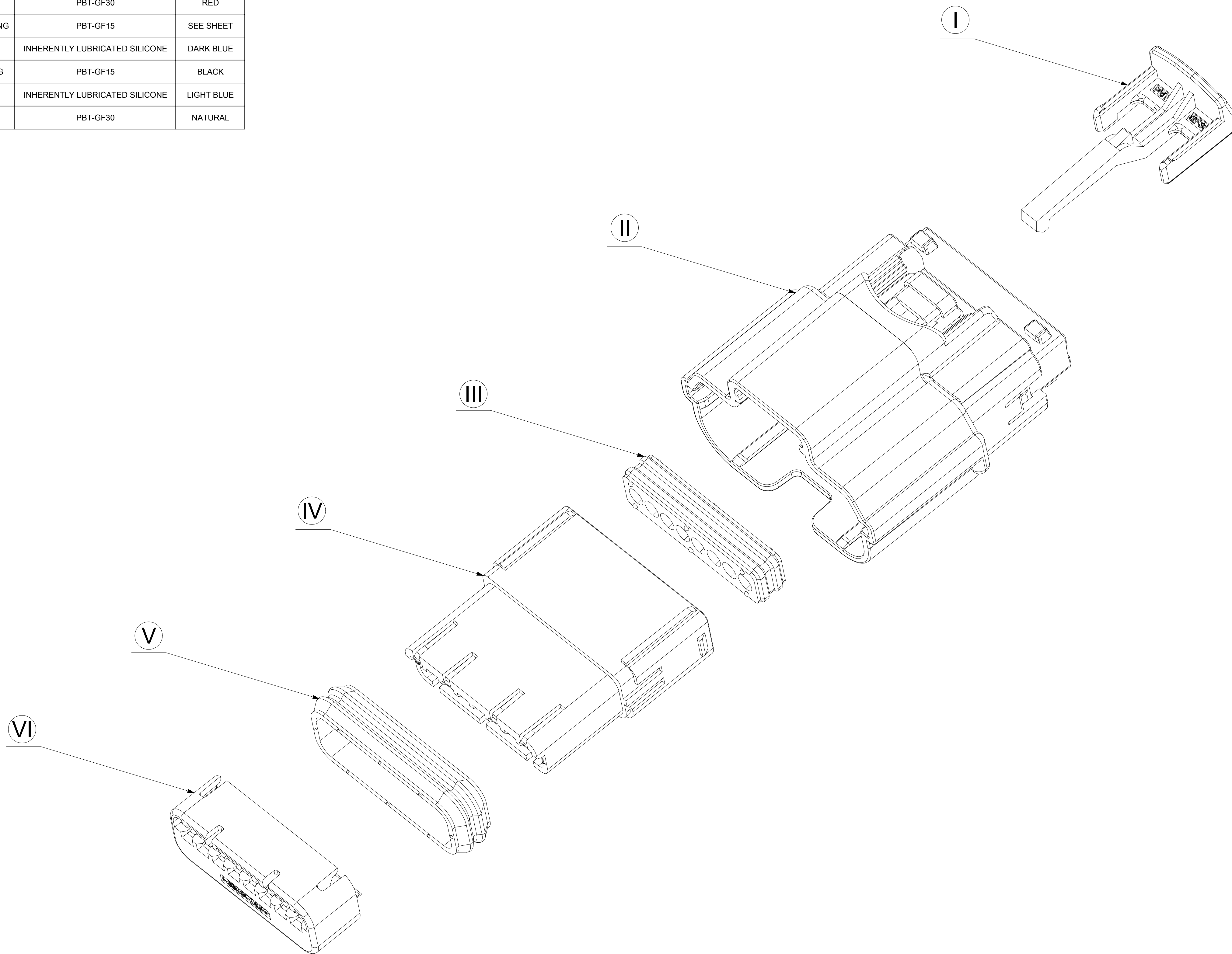
PRODUCT CUSTOMER DRAWING

DOCUMENT NUMBER	DOC TYPE	DOC PART	REVISION
SD-31404-811	PSD	001	G10

MATERIAL NUMBER	CUSTOMER	SHEET NUMBER
	GENERAL MARKET	1 OF 4

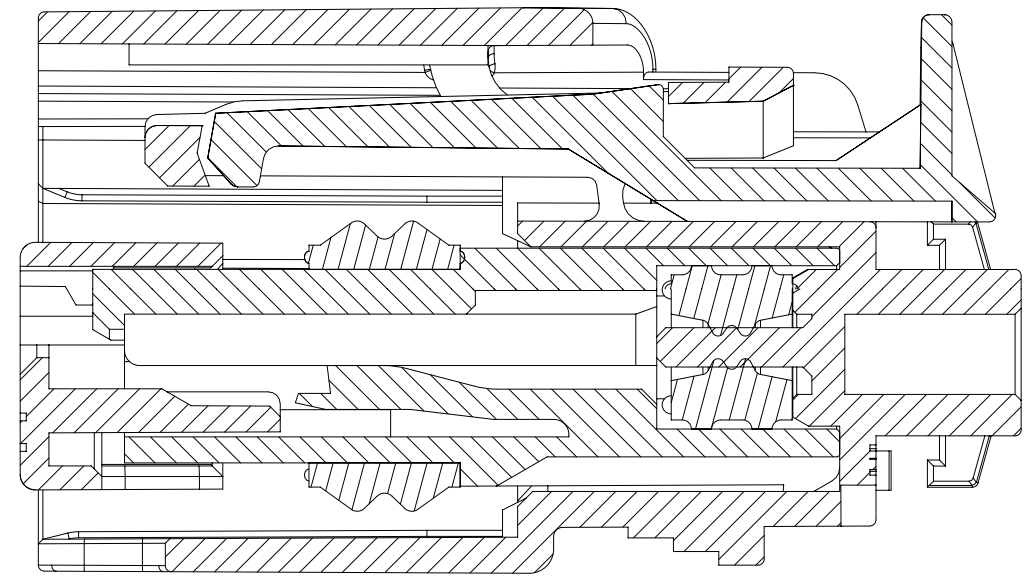
SHEET DESCRIPTION	
BOM	

ITEM NO.	DESCRIPTION	MATERIAL	COLOR
I	CPA	PBT-GF30	RED
II	CONNECTOR HOUSING	PBT-GF15	SEE SHEET
III	MATTE SEAL	INHERENTLY LUBRICATED SILICONE	DARK BLUE
IV	TERMINAL HOUSING	PBT-GF15	BLACK
V	PERIPHERAL SEAL	INHERENTLY LUBRICATED SILICONE	LIGHT BLUE
VI	TPA	PBT-GF30	NATURAL

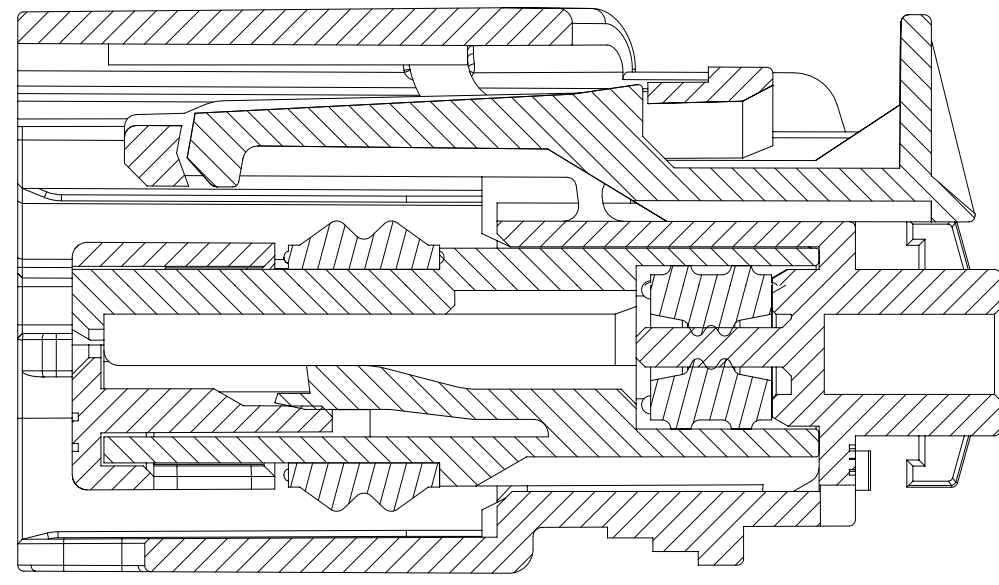


<b>SYMBOLS</b> = 0 
--

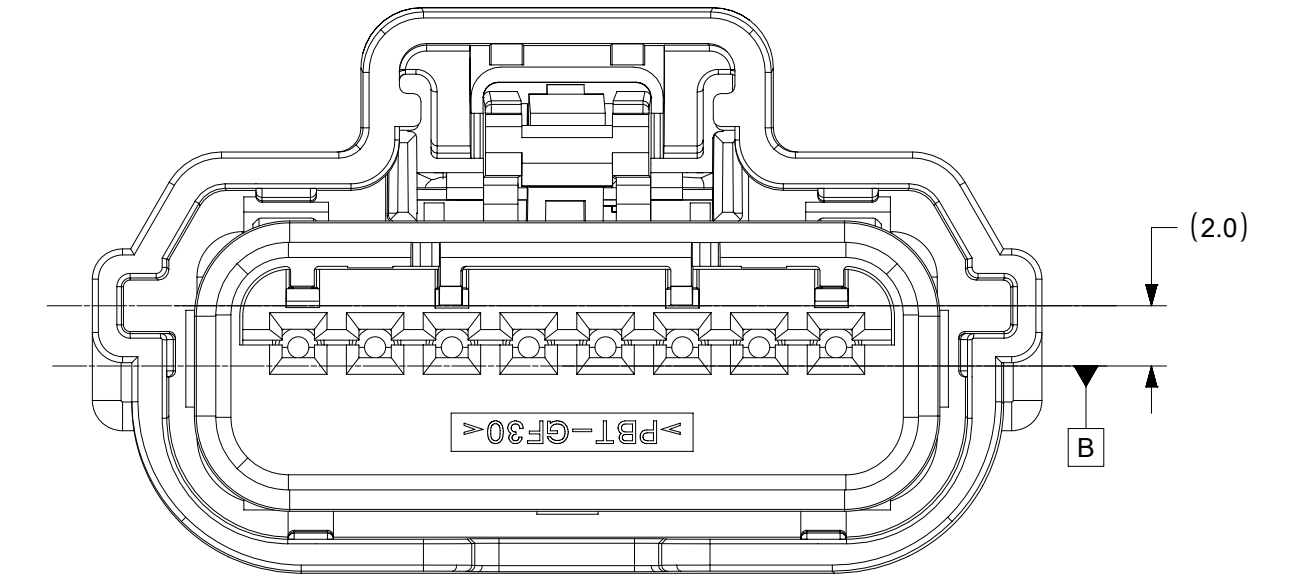
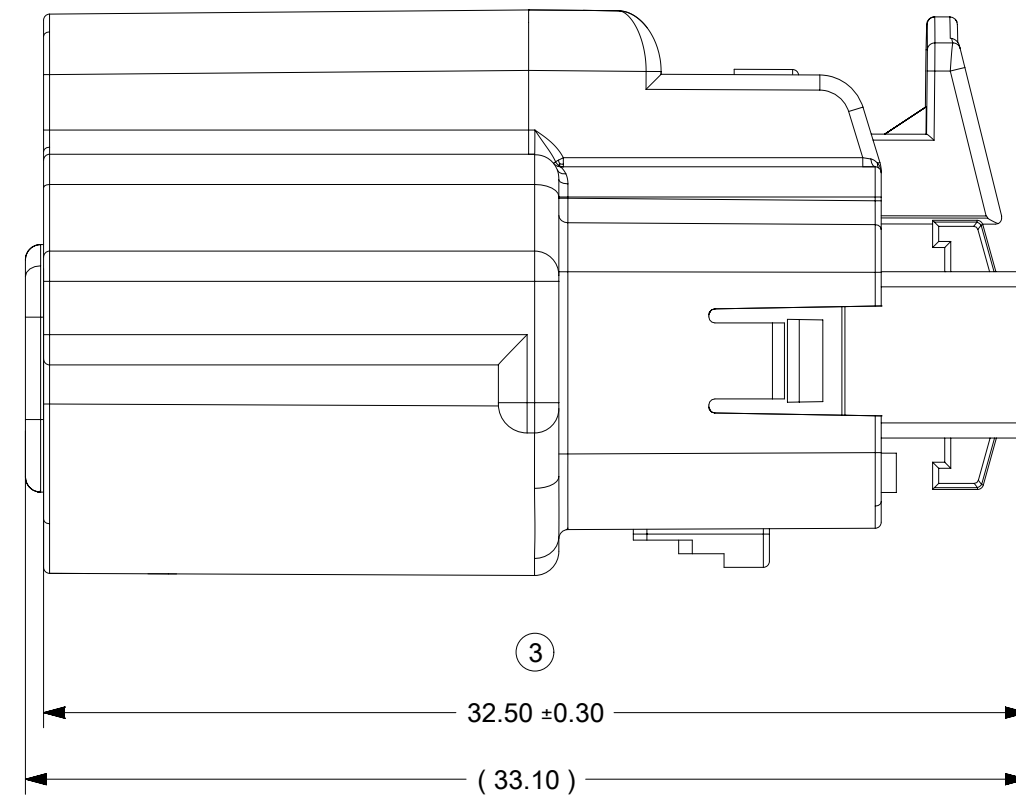
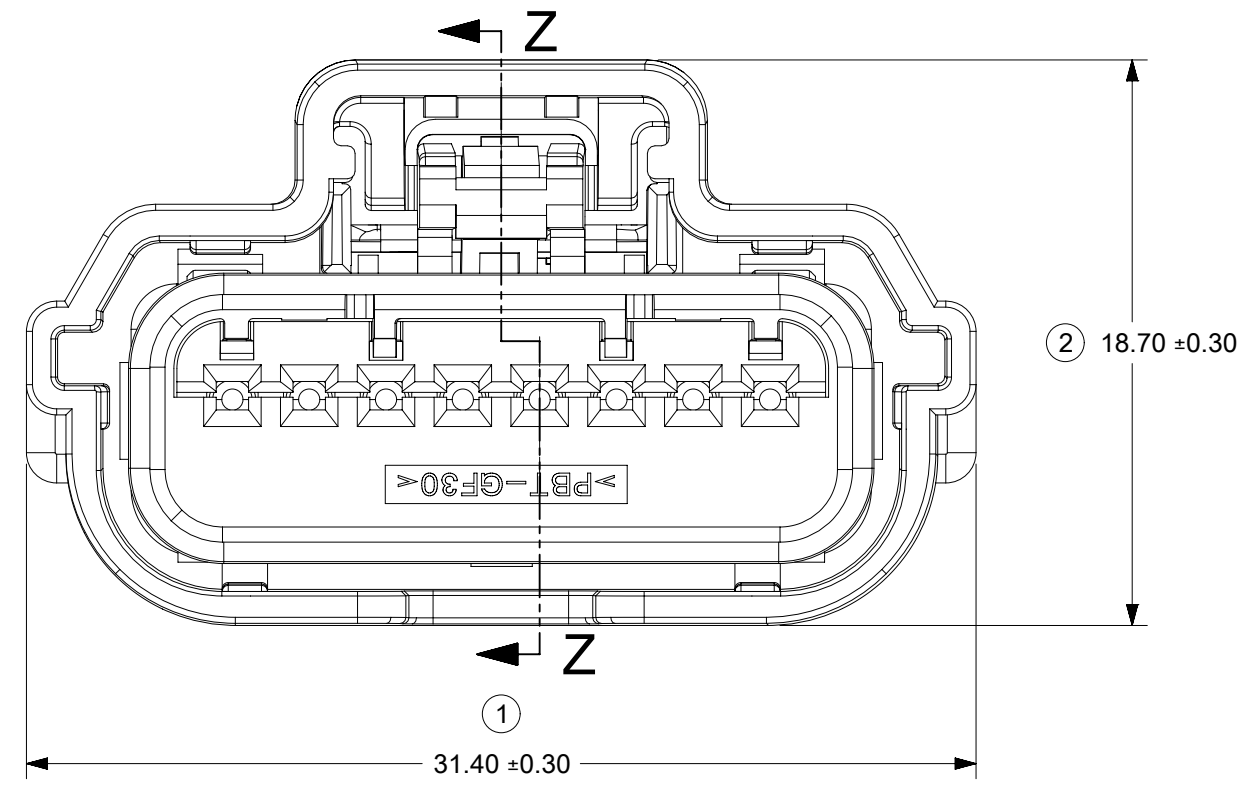
SHEET DESCRIPTION
KEY CONFIGURATIONS



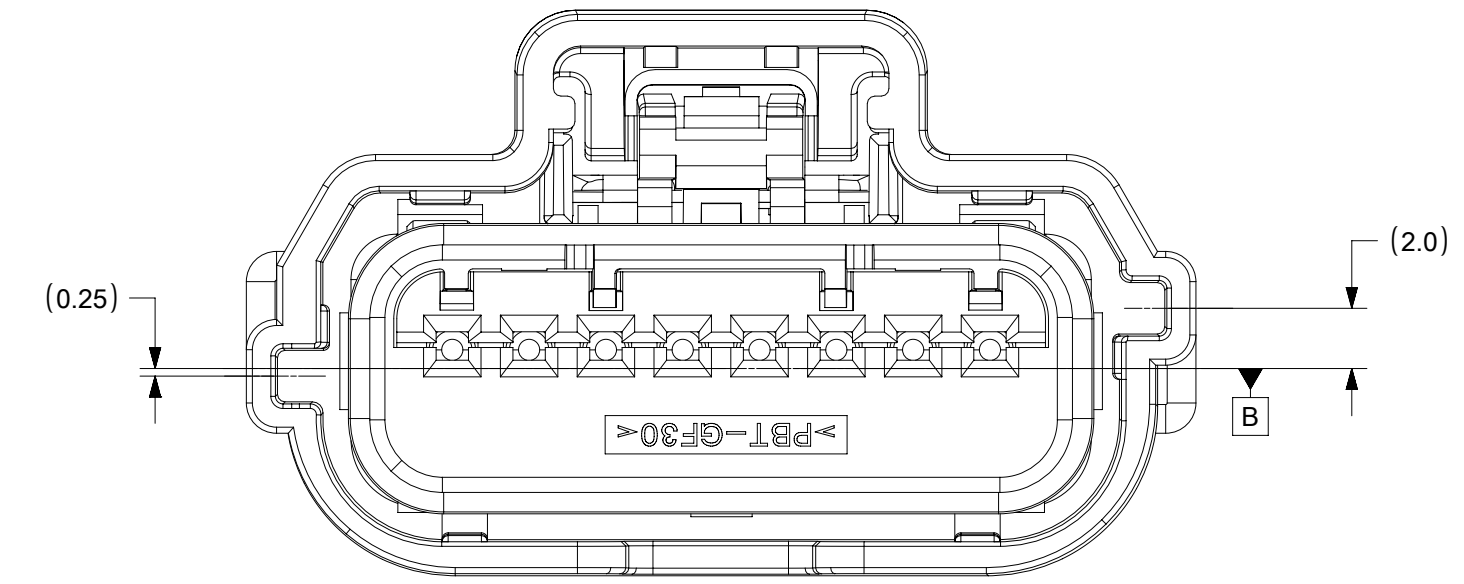
SECTION Z-Z  
TPA SHOWN IN AS-SHIPPED  
PRE-SET POSITION  
SEE NOTE 1-a



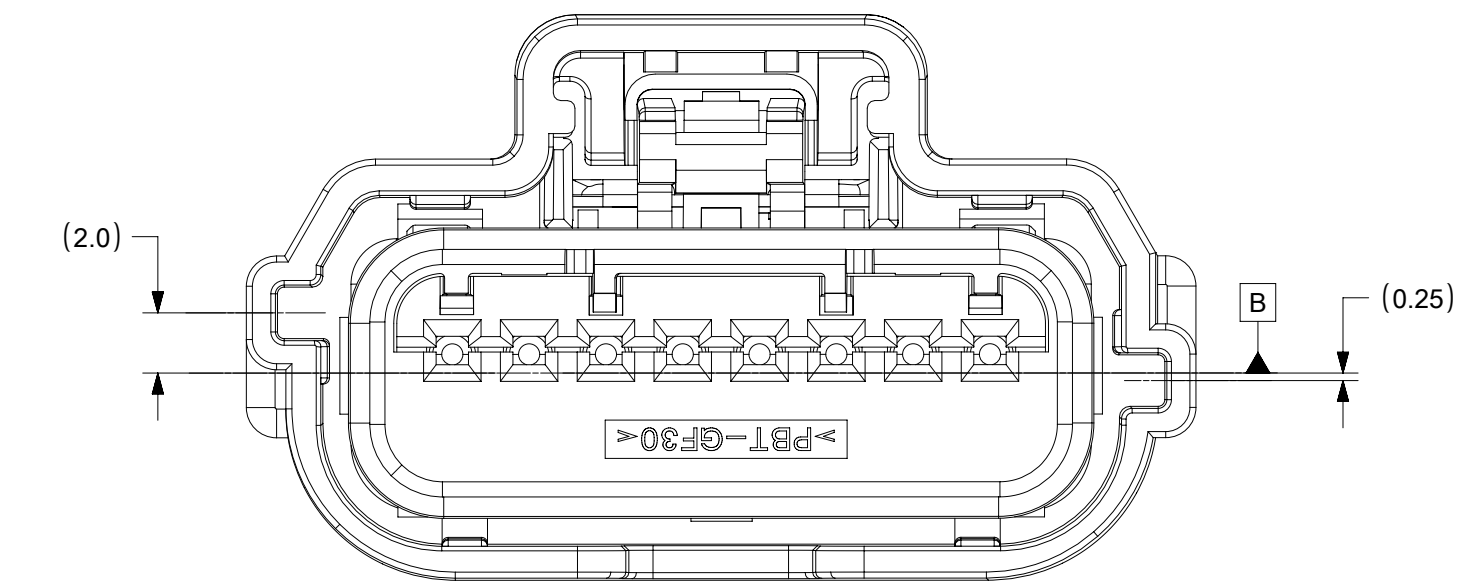
SECTION Y-Y  
TPA SHOWN IN FINAL  
LOCK POSITION  
SEE NOTE 1-a



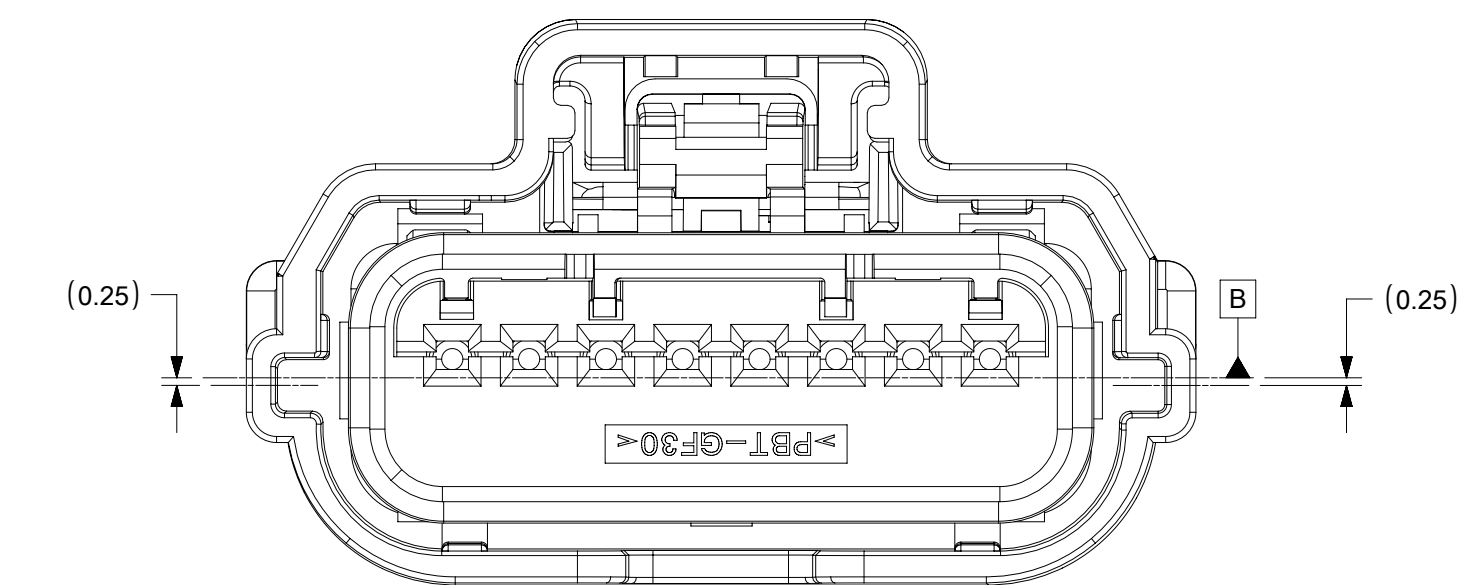
POLARIZATION A



POLARIZATION B



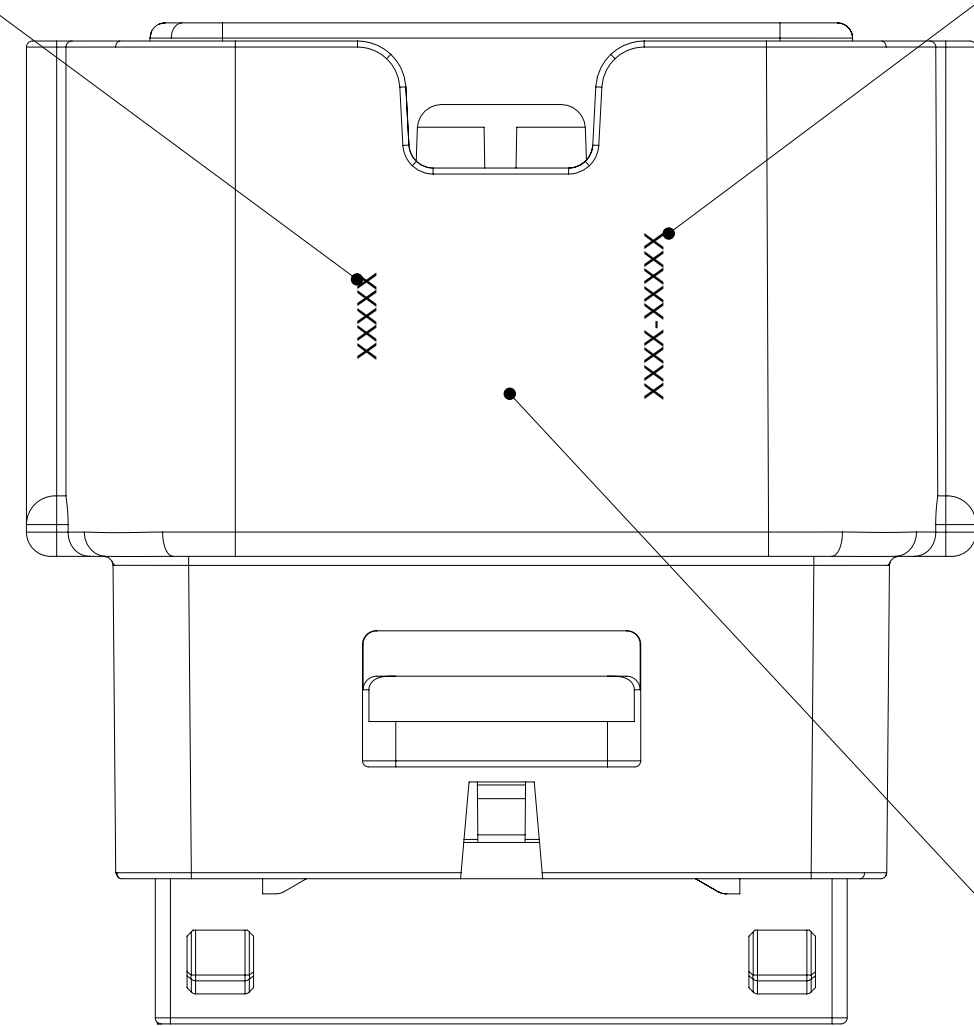
POLARIZATION C



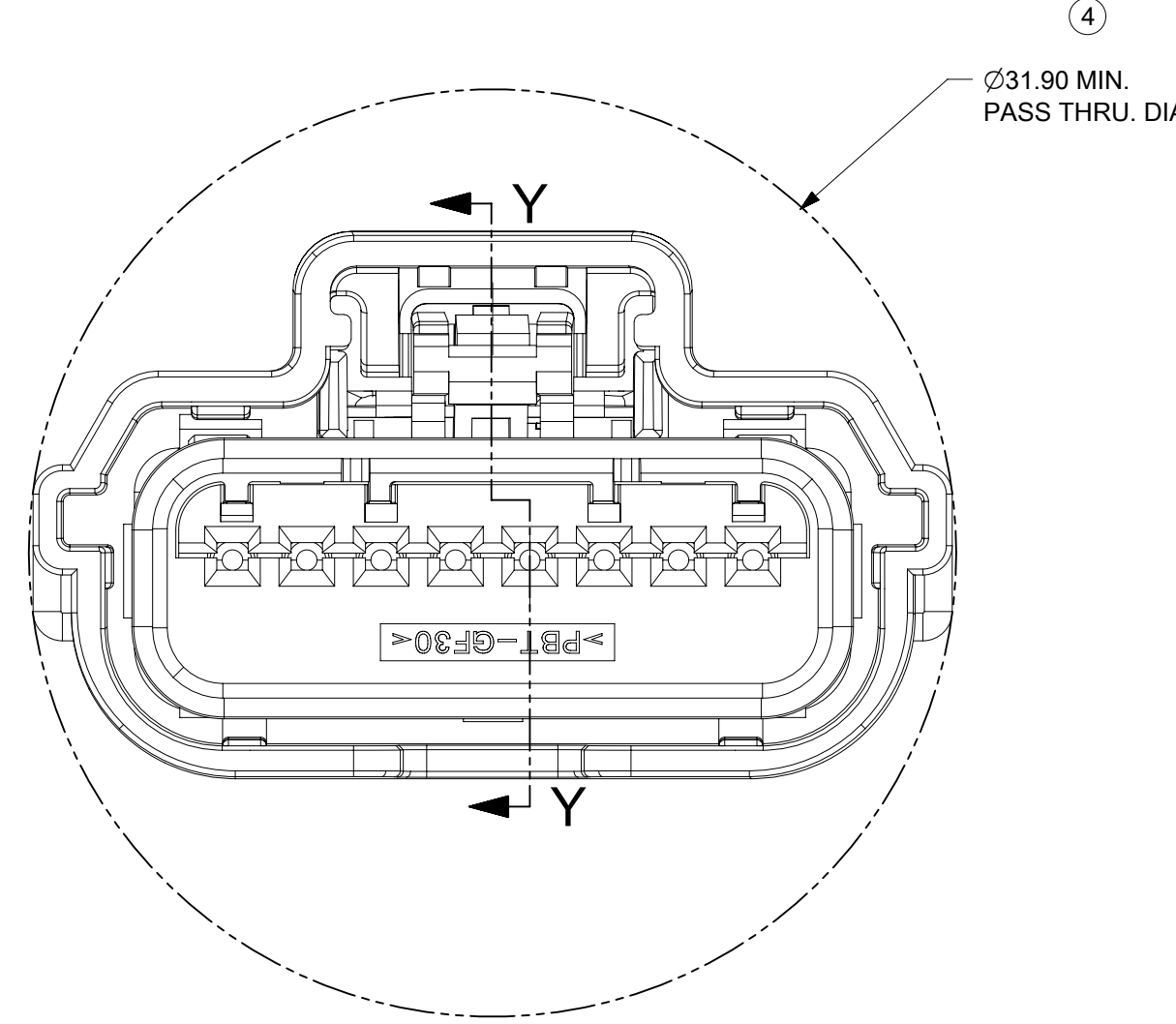
POLARIZATION D

DATE CODE  
SEE NOTE 3-b

MOLEX P/N

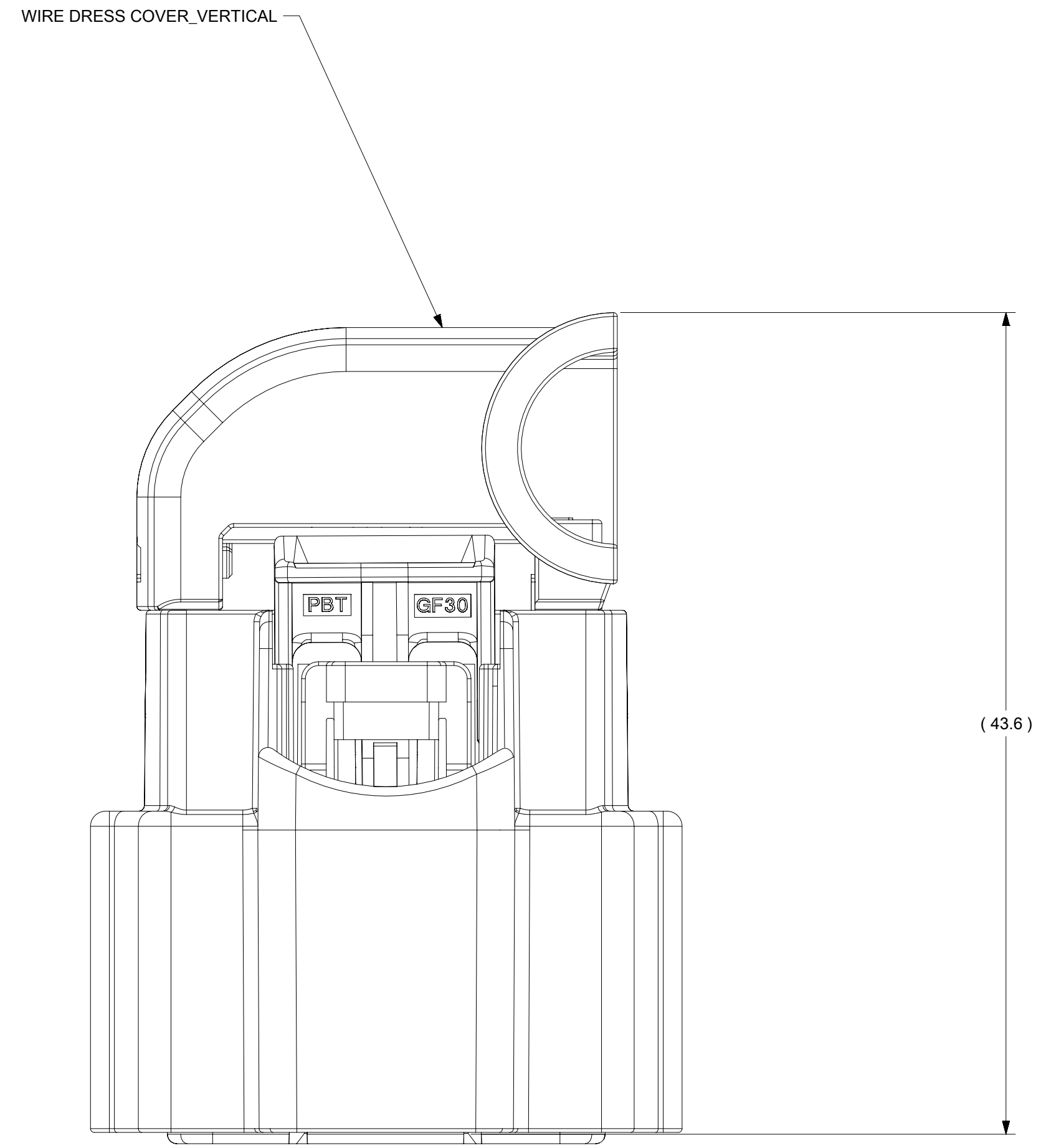
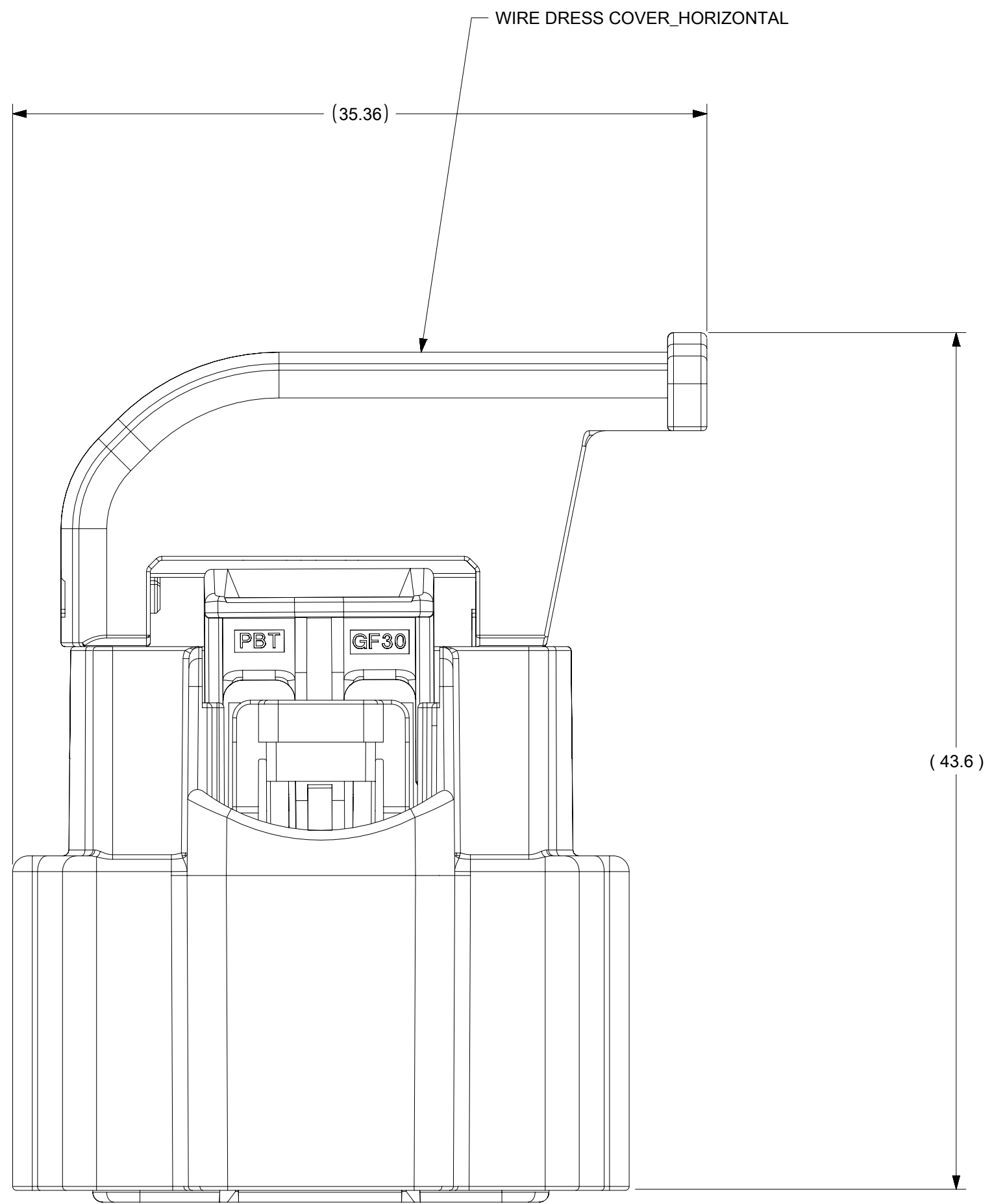


LASER MARKING APPLIED  
TO THIS SURFACE



<b>SYMBOLS</b> = 0 = 0 = 0 = 0 = 0 = 0 = 0 = 0 = 0	THIS DRAWING CONTAINS INFORMATION THAT IS PROPRIETARY TO MOLEX ELECTRONIC TECHNOLOGIES, LLC AND SHOULD NOT BE USED WITHOUT WRITTEN PERMISSION DIMENSION UNITS: <b>mm</b> SCALE: <b>4:1</b>	CURRENT REV DESC: EC NO: 662414 DRWN: MCHEN37 APPR: JDENG02 INITIAL REVISION: DRWN: GLI04 APPR: DC_LISLE	 USCAR 0.64MM 8 WAY ADD NEW P/N: 314049184/9194 PRODUCT CUSTOMER DRAWING		
	GENERAL TOLERANCES (UNLESS SPECIFIED) ANGULAR TOL ± 1.0° 4 PLACES ± 3 PLACES ± 2 PLACES ± 0.13 1 PLACE ± 0.25 0 PLACES ±	2021/04/29 2021/05/18 2021/05/18 2014/06/12 2014/07/28			
DRAFT WHERE APPLICABLE MUST REMAIN WITHIN DIMENSIONS	THIRD ANGLE PROJECTION	DRAWING: <b>A1-SIZE</b> SERIES: <b>31404</b>	MATERIAL NUMBER: GENERAL MARKET	CUSTOMER:	SHEET NUMBER: <b>3 OF 4</b>

SHEET DESCRIPTION
WIRE DRESS COVER ASSEMBLY



SYMBOLS	THIS DRAWING CONTAINS INFORMATION THAT IS PROPRIETARY TO MOLEX ELECTRONIC TECHNOLOGIES, LLC AND SHOULD NOT BE USED WITHOUT WRITTEN PERMISSION		
	DIMENSION UNITS	SCALE	CURRENT REV DESC:
▽ = 0	mm	4:1	EC NO: 662414 DRWN: MCHEN37 2021/04/29 CHK'D: JDENG02 2021/05/18 APPR: JDENG02 2021/05/18
▽ = 0	GENERAL TOLERANCES (UNLESS SPECIFIED)		
▽ = 0	ANGULAR TOL ± 1.0°		
▽ = 0	4 PLACES	±	INITIAL REVISION: DRWN: GLI04 2014/06/12 APPR: DC_LISLE 2014/07/28
▽ = 0	3 PLACES	±	
▽ = 0	2 PLACES	± 0.13	DOCUMENT NUMBER SD-31404-811
▽ = 0	1 PLACE	± 0.25	
▽ = 0	0 PLACES	±	DOC TYPE   DOC PART   REVISION PSD   001   G10
☒ = 0	DRAFT WHERE APPLICABLE MUST REMAIN WITHIN DIMENSIONS		MATERIAL NUMBER 31404
▽ = 0	THIRD ANGLE PROJECTION	DRAWING A1-SIZE	CUSTOMER GENERAL MARKET
		SERIES 31404	SHEET NUMBER 4 OF 4

DOCUMENT STATUS	P1	RELEASE DATE	2021/05/18 01:31:59
-----------------	----	--------------	---------------------