

Security Switches

Anti-Vandal, Pushbutton

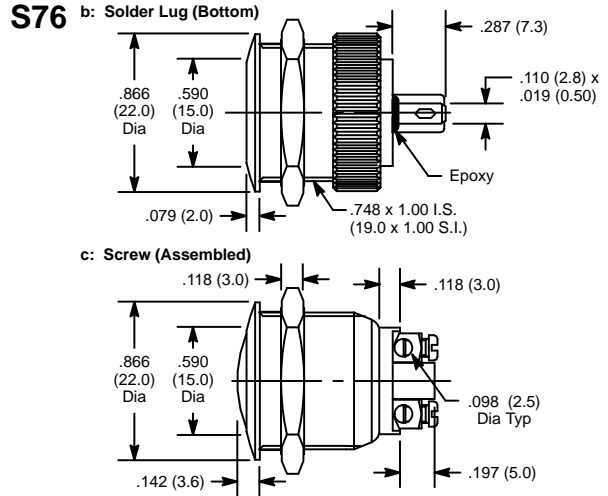
Features

- .748" (19mm) bushing diameter



NTE Type No.	Circuitry	Action		Actuator	Diag No.
54-377	SPST-NO	OFF	(ON)	Stainless Steel, Flat	S76b
54-378	SPST-NO	OFF	(ON)	Stainless Steel, Curved	S76c
54-378E	SPST-NO	OFF	(ON)	Stainless Steel, Curved	S76c

SPECIAL NOTE: () = Momentary Function



Specifications

Contact Rating: 2A 48VDC max. (resistive load)
Initial Contact Resistance: 10 Milliohms (max.) at 1A, 2V
Insulation Resistance: 100 Megohms (min.) at 500VDC
Dielectric Strength: 2000V RMS (min.)
Temperature Rating: -4° to +131°F (-20° to +55°C)
Electrical Life: 10,000 cycles min. at full load
Mechanical Life: 1,000,000 cycles min.
Terminal Type: Refer to Diag No. in Table
Mounting Hole: .756 (19.2)

Anti-Vandal, Pushbutton

Features

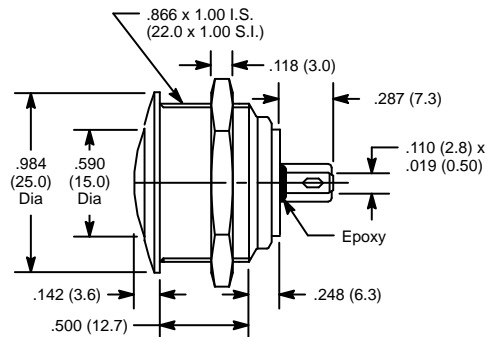
- .866" (22mm) bushing diameter



NTE Type No.	Circuitry	Action		Actuator	Diag No.
54-379	SPST-NO	OFF	(ON)	Stainless Steel, Curved	S77b

SPECIAL NOTE: () = Momentary Function

S77 b: Solder Lug (Bottom)



Specifications

Contact Rating: 2A 48VDC max. (resistive load)
Initial Contact Resistance: 10 Milliohms (max.) at 1A, 2V
Insulation Resistance: 100 Megohms (min.) at 500VDC
Dielectric Strength: 2000V RMS (min.)
Temperature Rating: -4° to +131°F (-20° to +55°C)
Electrical Life: 10,000 cycles min. at full load
Mechanical Life: 1,000,000 cycles min.
Terminal Type: Solder Lug/Quick-Connect
Mounting Hole: .756 (19.2)

Security Switches

Economy Anti-Vandal, Pushbutton

Features

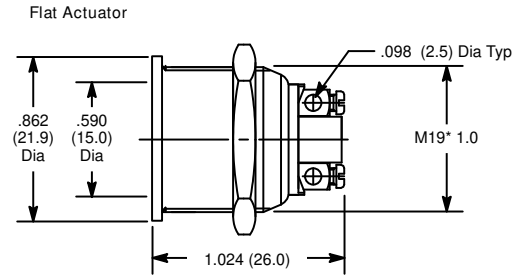
- .748" (19mm) bushing diameter



NTE Type No.	Circuitry	Action		Actuator	Diag No.
54-375E	SPST-NO	OFF	(ON)	Stainless Steel, Flat	S124

SPECIAL NOTE: () = Momentary Function

S124



Specifications

Contact Rating: 5A 48VDC max.
 Initial Contact Resistance: 50 Milliohms (max.) initial
 Insulation Resistance: 100 Megohms (min.)
 Dielectric Strength: 2000VAC for 1 minute
 Temperature Rating: -4° to +158°F (-20° to +70°C)
 Operating Life: 200,000 cycles
 Terminal Type: Screw Type
 Mounting Hole: .756 (19.2)

Security, Pushbutton



Features

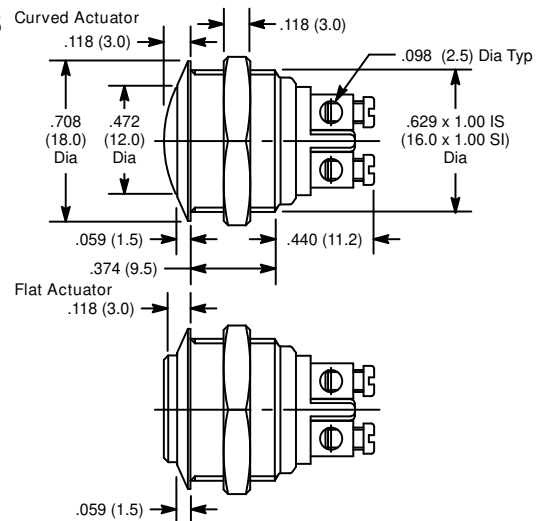
- .629" (16mm) bushing diameter



NTE Type No.	Circuitry	Action		Actuator	Diag No.
54-460	SPST-NO	OFF	(ON)	Stainless Steel, Curved	S78
54-474	SPST-NO	OFF	(ON)	Nickel Plated Brass, Flat	S78

SPECIAL NOTE: () = Momentary Function

S78



Specifications

Contact Rating: 100-400mA 48VDC max. (resistive load)
 Initial Contact Resistance: 50 Milliohms (max.)
 Insulation Resistance: 1000 Megohms (min.) at 500VDC
 Dielectric Strength: 2000V RMS (min.)
 Temperature Rating: -4° to +131°F (-20° to +55°C)
 Electrical Life: 50,000 cycles min. at 200mA 48VDC
 Mechanical Life: 1,000,000 cycles min.
 Terminal Type: Screw Type
 Mounting Hole: .638 (16.2)

Security Switches

Security, Pushbutton



S81

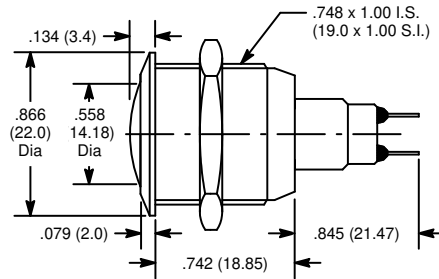
Features

- .748" (19mm) bushing diameter



NTE Type No.	Circuitry	Action	Actuator	Diag No.
54-465	SPST-NO	ON* OFF*	Nickel Plated Brass, Curved	S81

SPECIAL NOTE: () = Momentary Function
* = Alternate Action (Push ON/Push OFF)



Specifications

Contact Rating: 3A 120VAC or 28VDC, 1.5A 250VAC ⁽¹⁾
1A 120VAC or 28VDC, 0.5A 250VAC ⁽²⁾
(max. resistive load)

Initial Contact Resistance: 10 Milliohms (max.) at 3V, 0.1A
Insulation Resistance: 10,000 Megohms (min.)

Dielectric Strength: 1000V RMS (min.)

Temperature Rating: -22° to +185°F (-30° to +85°C)

Electrical Life: 10,000⁽¹⁾/250,000⁽²⁾ cycles min. full load

Mechanical Life: 1,00,000 cycles (min.)

Terminal Type: Solder Lug

Mounting Hole: .756 (19.2)

Security, Pushbutton



S82 Flat Actuator

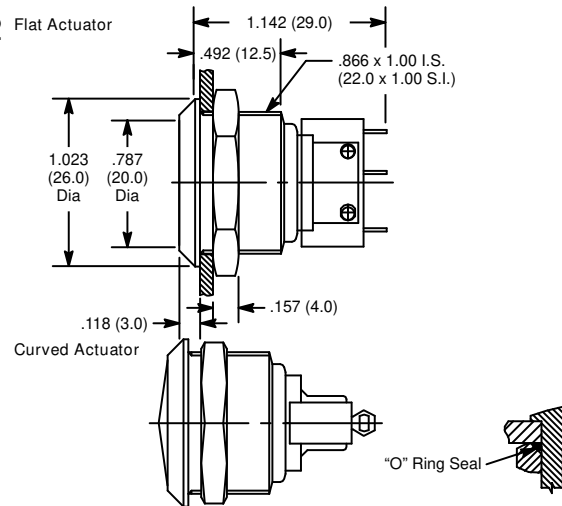
Features

- .866" (22mm) bushing diameter
- Large Actuator



NTE Type No.	Circuitry	Action	Actuator	Diag No.
54-466 *	SPST-NO/NC	ON (OFF)	Stainless Steel, Flat	S82
54-468	SPST-NO/NC	ON (OFF)	Stainless Steel, Curved	S82

SPECIAL NOTE: () = Momentary Function
* The 54-466 is a discontinued device.



Specifications

Contact Rating: 5A 250VAC max.

Initial Contact Resistance: 100 Milliohms (max.)

Insulation Resistance: 1000 Megohms (min.) at 500VDC

Dielectric Strength: 2000V RMS (min.)

Temperature Rating: -4° to +131°F (-20° to +55°C)

Electrical Life: 1,000,000 cycles (min.) at 1A 250VAC or
100,00 cycles at full load

Mechanical Life: 3,000,000 cycles min.

Terminal Type: Solder Lug

Mounting Hole: .874 (22.2)

Security Switches

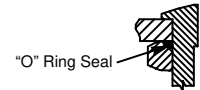
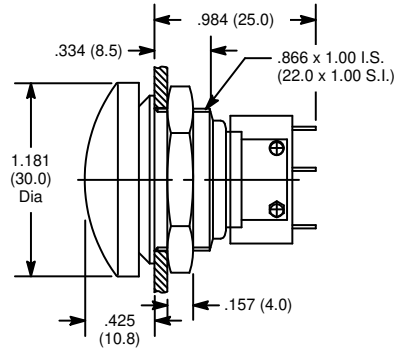
Security, Pushbutton



S83

Features

- .866" (22mm) bushing diameter
- Mushroom Head Actuator



NTE Type No.	Circuitry	Action		Actuator	Diag No.
54-470	SPST-NO/NC	ON	(OFF)	Nickel Plated Brass, Black	S83

SPECIAL NOTE: () = Momentary Function

Specifications

Contact Rating: 5A 250VAC max.
 Initial Contact Resistance: 100 Milliohms (max.)
 Insulation Resistance: 1000 Megohms (min.) at 500VDC
 Dielectric Strength: 2000V RMS (min.)
 Temperature Rating: -4° to +131°F (-20° to +55°C)
 Electrical Life: 1,000,000 cycles (min.) at 1A 250VAC or 100,00 cycles at full load
 Mechanical Life: 1,000,000 cycles min.
 Terminal Type: Solder lug
 Mounting Hole: .874 (22.2)

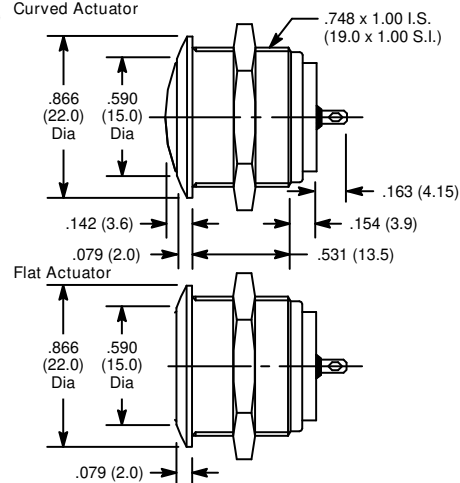
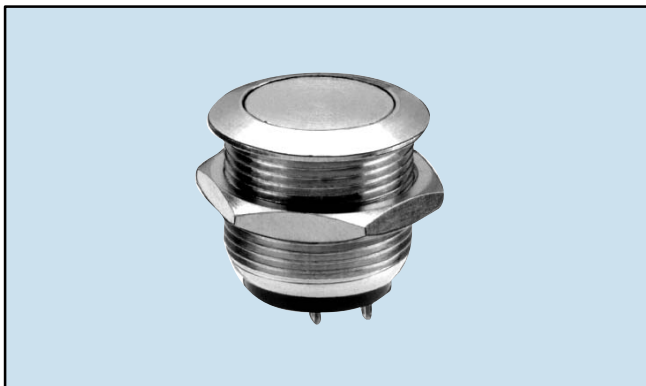
Snap-Action Security, Pushbutton



S85 Curved Actuator

Features

- .748" (19mm) bushing diameter



NTE Type No.	Circuitry	Action		Actuator	Diag No.
54-472	SPST-NO	OFF	(ON)	Nickel Plated Brass, Curved	S85
54-473	SPST-NO	OFF	(ON)	Nickel Plated Brass, Flat	S85

SPECIAL NOTE: () = Momentary Function

Specifications

Contact Rating: 50mA 24VDC max. (Resistive Load)
 Initial Contact Resistance: 100 Milliohms (max.)
 Insulation Resistance: 1000 Megohms (min.) at 500VDC
 Dielectric Strength: 500V RMS (min.)
 Temperature Rating: -22° to +158°F (-30° to +70°C)
 Electrical Life: 1,000,000 cycles at full load
 Mechanical Life: 100,000 cycles at 300mA 24V
 Operating Force: 7 N ±2 N
 Terminal Type: Solder lug
 Mounting Hole: .756 (19.2)