



LAYOUT SHOWN AS EXAMPLE

Keying Shown as example

**CHARACTERISTICS**

- Standard : Based on MIL-DTL-38999 Series III
- Shell Material : Stainless Steel
- Shell Plating : Passivated
- Insulator : Thermoplastic
- Contacts : Copper Alloy
- Seals & Grommet : Silicon Elastomer
- Contact Plating : Gold over copper Alloy 0.8µm minimum
- Durability : 500 Mating cycles
- Delivered without Souriau contacts
- Temperature Range : -65°C to +200°C
- Salt Spray : 500 hours
- Mass : 28.76 g ± 10%

| Connector dimension |               |
|---------------------|---------------|
| Dim                 | Nominal       |
| P                   | 3.25±0.2      |
| PP                  | 4.93±0.2      |
| R1                  | 20.62         |
| R2                  | 18.26         |
| S                   | 26.2±0.3      |
| V                   | 20.83+0/-1.25 |
| W                   | 2.1/2.5       |
| Z                   | 31.5 Max      |
| VV THREAD           | M15x1-6g      |

SOURIAU shall not be liable for any non-conformity or damage due to a use of the Products which does not comply with the Specifications issued by either of the Parties or by a third party (professional recommendation, technical notice.)

|         |                             |
|---------|-----------------------------|
| Country | Jurisdiction & Control List |
| FR      | Not Listed                  |

**PN: 8D011K22PNL**

|                |   |                                |   |
|----------------|---|--------------------------------|---|
| A              | 07-10-2016                                  | First Release                  |   |
| ISS            | DATE  | Latest modification - by       | MOD N°  |
| Designed By:   |   | Date:                          | <b>CUSTOMER DRAWING</b>   |
| <b>TITLE</b>   | <b>Stainless Steel Receptacle 8D series</b> |                                |   |
| SCALE          | NA  | General linear Tolerances: ±-- | NPRDS / PROJECT<br><b>859</b>   |
| <b>SOURIAU</b> | <b>WWW.SOURIAU.COM</b>                      |                                | This document is the property of SOURIAU it must not be reproduced or communicated without permission |
| FORMAT         | <b>A3</b>                                   |                                | <b>SOURIAU DRG N° 8D011K22PNL-C</b>   |
|                |   |                                | SHEET<br>1/2  |

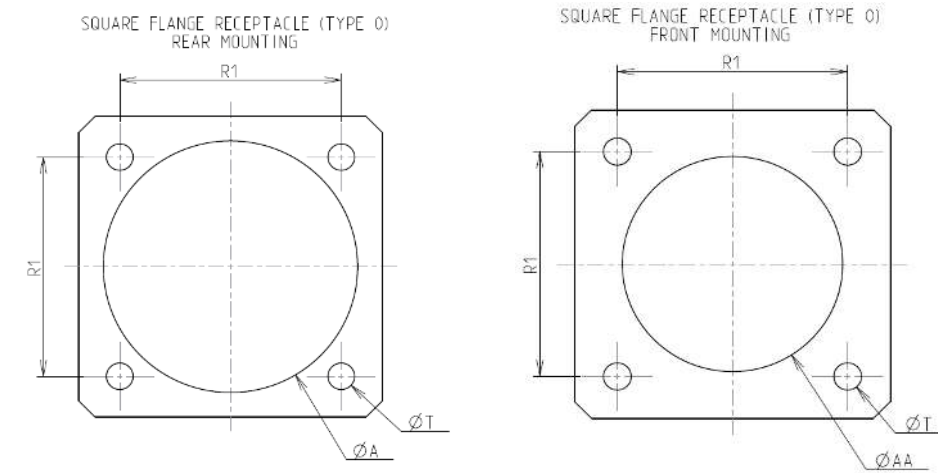
|                |                          |   |   |    |   |    |   |   |   |                                 |
|----------------|--------------------------|---|---|----|---|----|---|---|---|---------------------------------|
| BASIC SERIES:  | 8D                       | 0 | - | 11 | K | 22 | P | N | L | Delivered W/O Contacts          |
| SHELL TYPE :   | Square Flange Receptacle |   |   |    |   |    |   |   |   | ORIENTATION : N                 |
| CONTACT TYPE : | Standard Crimp Contact   |   |   |    |   |    |   |   |   | CONTACT TYPE : PIN(500 Matings) |
| SHELL SIZE :   | 11                       |   |   |    |   |    |   |   |   | CONTACT LAYOUT : 11-22          |
| PLATING :      | K = Passivated           |   |   |    |   |    |   |   |   |                                 |

Contact Layout



| 11-22 |        |        |
|-------|--------|--------|
| Ctc   | X      | Y      |
| A     | 1.905  | 1.905  |
| B     | 1.905  | -1.905 |
| C     | -1.905 | -1.905 |
| D     | -1.905 | 1.905  |

Panel Cutout



| Dim | Nominal    |
|-----|------------|
| ØA  | 20.22 min  |
| ØAA | 15.88 min  |
| R1  | 20.62      |
| ØT  | 3.25 ±0.13 |

SOURIAU shall not be liable for any non-conformity or damage due to a use of the Products which does not comply with the Specifications issued by either of the Parties or by a third party (professional recommendation, technical notice.)

| Country | Jurisdiction & Control List |
|---------|-----------------------------|
| FR      | Not Listed                  |

**PN: 8D011K22PNL**

|                |   |                            |   |
|----------------|---|----------------------------|---|
| A              | 07-10-2016                                  | First Release              |   |
| ISS            | DATE  | Latest modification - by   | MOD N°  |
| Designed By:   |   | Date:                      | <b>CUSTOMER DRAWING</b>   |
| <b>TITLE</b>   | <b>Stainless Steel Receptacle 8D series</b> |                            |   |
| SCALE          |   | General linear Tolerances: | NPRDS / PROJECT   |
| NA             |   | ±--                        | <b>859</b>  |
| <b>SOURIAU</b> | <b>WWW.SOURIAU.COM</b>                      |                            | This document is the property of SOURIAU it must not be reproduced or communicated without permission |
| FORMAT         | <b>SOURIAU DRG N° 8D011K22PNL-C</b>         |                            | SHEET 2/2   |