

DESCRIPTION: M5 FEMALE - FRONT PANEL MOUNT - SOLDER CUP - 4 POSITION

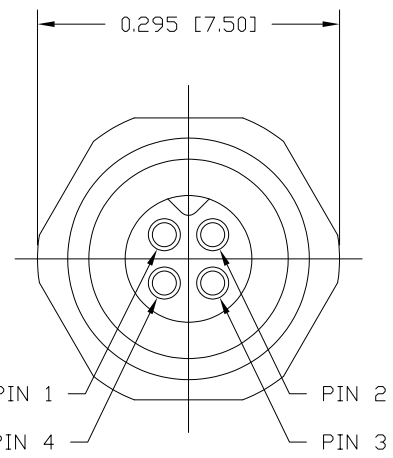
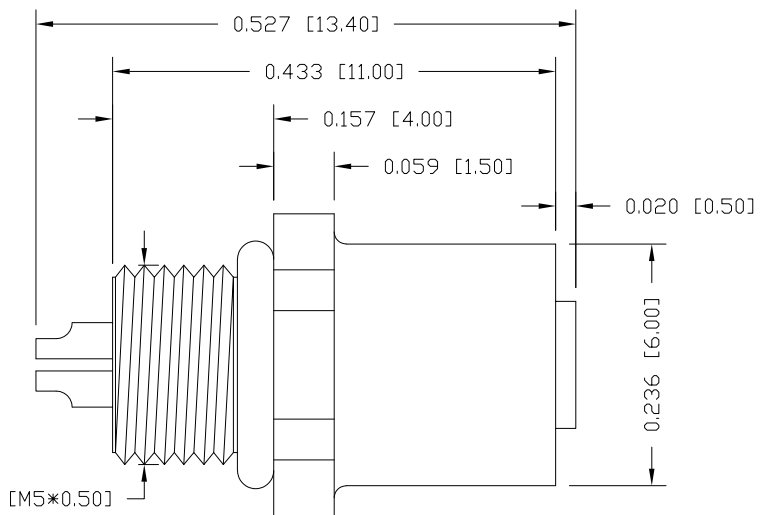
SPECIFICATIONS:

**MATERIALS:**  
 HOUSING: PBT, UL94 V-0, BLACK  
 CONTACTS: GOLD PLATED BRASS  
 NUT: SEE P/N KEY BELOW  
 SHELL: SEE P/N KEY BELOW  
 ORING: NBR, BLACK

**ELECTRICAL:**  
 RATED CURRENT: 1A  
 RATED VOLTAGE: 60V  
 INSULATION RESISTANCE: 100 MOhms MIN.  
 CONTACT RESISTANCE: 10 mOhms MAX.

**ENVIRONMENT:**  
 OPERATING TEMPERATURE: -40°C TO +85°C  
 WATER PROOF: IP67

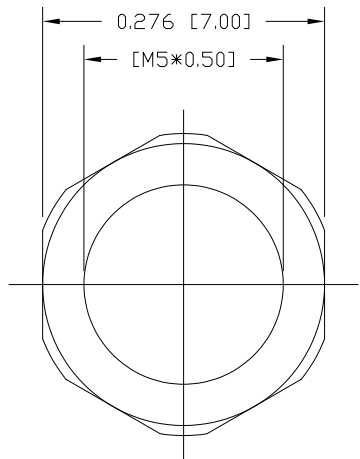
WIRE AWG: 28 AWG MAX RECOMMENDED



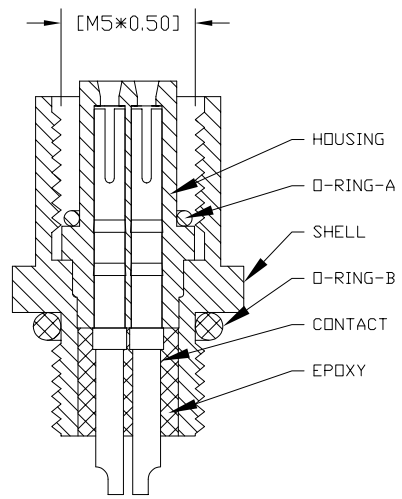
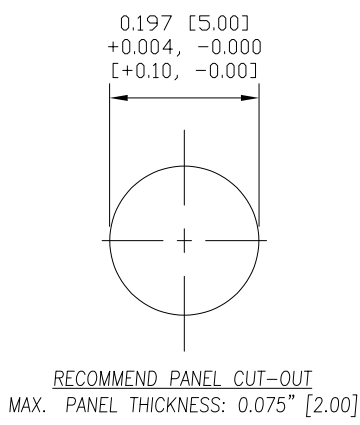
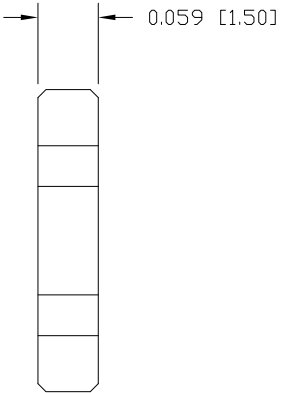
851-004-20YR00Y

3 = BRASS/NICKEL SHELL AND NUT  
 S = 316 STAINLESS STEEL SHELL AND NUT

1 = GOLD FLASH  
 4 = 10µ" GOLD



NUT



RoHS COMPLIANT

UNITS = inch [mm]

DO NOT SCALE FROM DRAWING



THESE DRAWINGS AND SPECIFICATIONS ARE THE PROPERTY OF NorComp AND SHALL NOT BE REPRODUCED, COPIED OR USED AS THE BASIS FOR THE MANUFACTURE OR SALE OF APPARATUS WITHOUT WRITTEN PERMISSION.

DRAWN: M. SIGMON  
 DATE: 03/04/2016

NorComp

SCALE: NTS	SHEET 1 OF 1	REV 7
DWG NO. 851-004-203R00Y		