



TOROIDAL CHOKE

VTCB5825-300-40A

- Solid base for stable mounting
- Fixed pins for easy PCB insertion
- Operating Temperature Range: -40°C to +125°C
- Storage Temperature Range: -20°C to +60°C

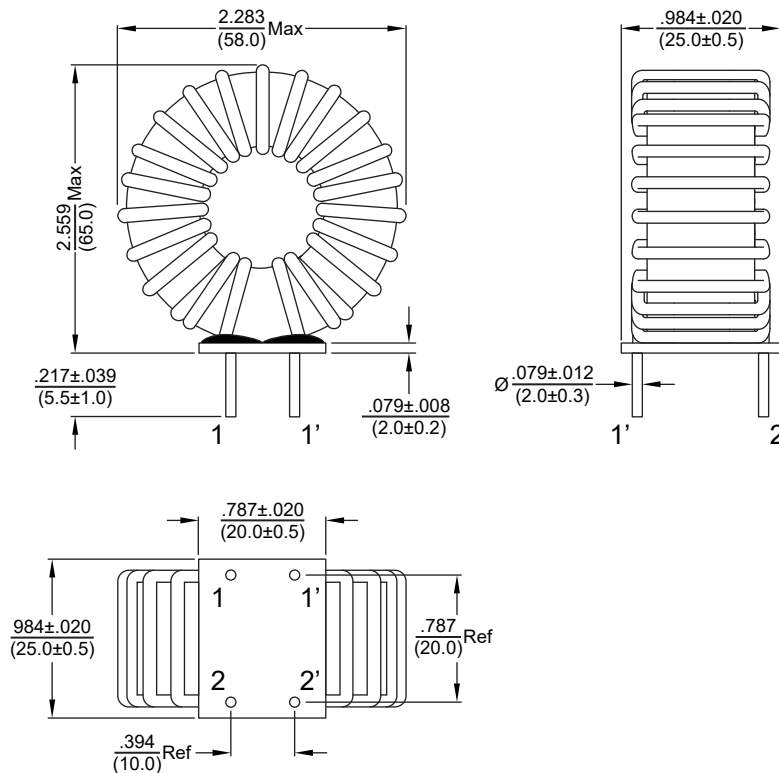


Electrical Specifications @25°C			
Inductance @ 100KHz, 0.1V 0A DC	Inductance @ 100KHz, 0.1V 40A DC	DCR (mΩ) Max	Rated Current (A)
38.0μH ±15%	30.0μH ±15%	6.0	40

All specifications subject to change without notice.

MECHANICAL

Dimensions: $\frac{\text{inch}}{\text{(mm)}}$



SCHEMATICS

