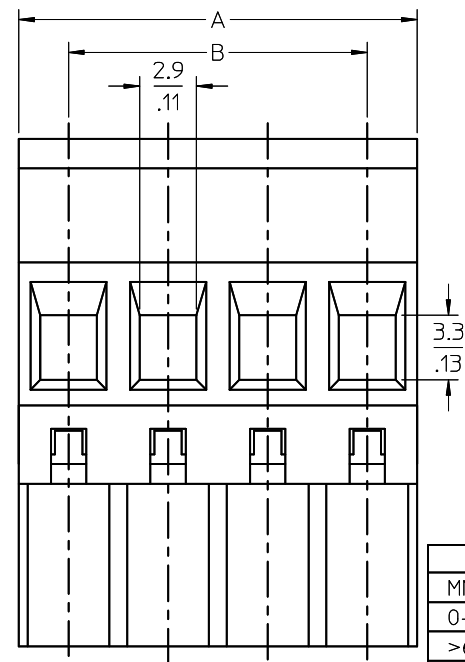
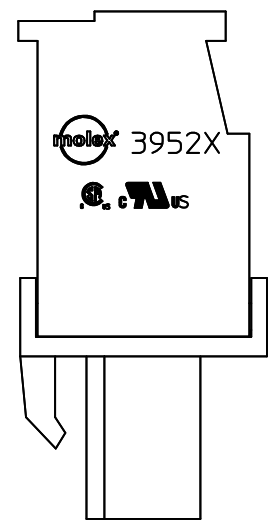
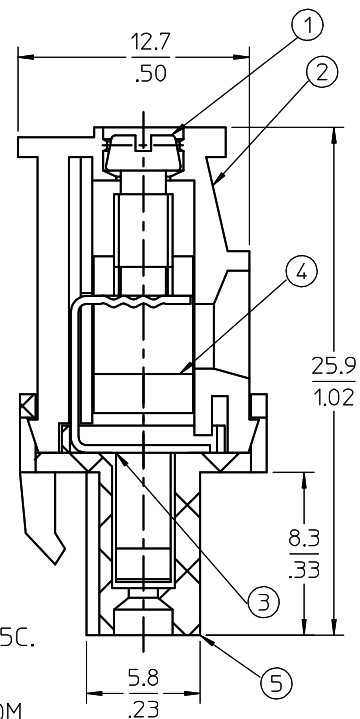
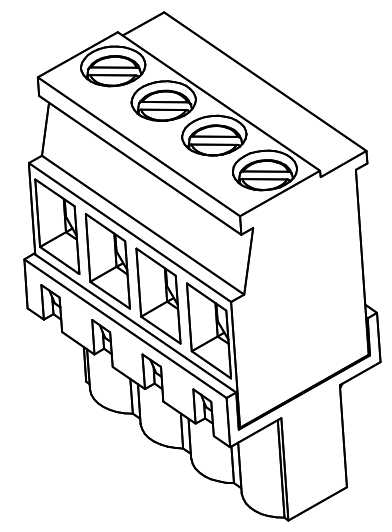
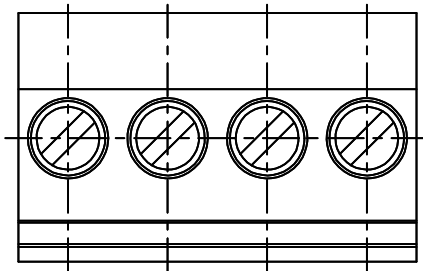


CIRCUITS	P/N	COLOR	IMPRINTING
2	395239000	GREEN	SEE SHEET 2
2	395239001	GREEN	SEE SHEET 2
4	395239002	GREEN	SEE SHEET 2
5	395239003	GREEN	SEE SHEET 2
6	395239004	GREEN	SEE SHEET 2
7	395239005	GREEN	SEE SHEET 2

CUSTOMER PRODUCTION APPROVAL
 APPROVED BY: _____
 DATE: _____
 MUST BE SIGNED AND RETURNED BEFORE
 PRODUCTION WILL BEGIN.



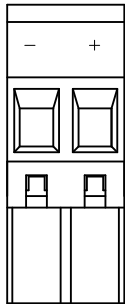
SPECIFICATIONS:

- Material:
 - Screw: Steel
 - Cover: PA66
 - Terminal: Phosphor Bronze
 - Cage: Brass
 - Body: PA66
- Wire range: 12 - 26 AWG
- Electrical rating: 300V, 15A.
- Wire strip length: 5.0mm.
- Operating temperature: -40C to +105C.
- Max torque: 5 In Lbs.
- Insulation resistance: DC 500V, 500M.
- Dielectric withstand: AC 2500V for 1 minute.
- Breakdown voltage: 4000V.
- Contact resistance: <10 mW.
- A = (N x P)
- B = (N - 1) x P
- P (PITCH) = 5.0mm (.197").
- N = Number of positions available 2 through 24.

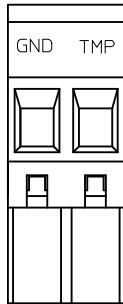
TOLERANCES			
MM	TOL	INCH	TOL
0-6	±0.25	0-.24	±.010
>6-30	±0.40	.24-1.18	±.016
>30-120	±0.50	1.18-4.76	±.020
>120	±0.80	>4.76	±.031

IRPM-T201741599 EC NO: IPG2018-0096 DRWN: ABENJAMINLW 2017/08/23 CHKD: APPR: BRUPERT 2017/08/30 REV DESCRIPTION	QUALITY SYMBOLS	GENERAL TOLERANCES (UNLESS SPECIFIED)	DIMENSION STYLE	SCALE	DESIGN UNITS	THIRD ANGLE PROJECTION																		
	$\nabla=0$ $\nabla=0$	<table border="1"> <tr> <th></th> <th>mm</th> <th>INCH</th> </tr> <tr> <td>4 PLACES</td> <td>±---</td> <td>±---</td> </tr> <tr> <td>3 PLACES</td> <td>±---</td> <td>±---</td> </tr> <tr> <td>2 PLACES</td> <td>±---</td> <td>±---</td> </tr> <tr> <td>1 PLACE</td> <td>±---</td> <td>±---</td> </tr> <tr> <td colspan="3">ANGULAR ±---°</td> </tr> </table>		mm	INCH	4 PLACES	±---	±---	3 PLACES	±---	±---	2 PLACES	±---	±---	1 PLACE	±---	±---	ANGULAR ±---°			MM/IN	4:1	INCH	
		mm	INCH																					
	4 PLACES	±---	±---																					
3 PLACES	±---	±---																						
2 PLACES	±---	±---																						
1 PLACE	±---	±---																						
ANGULAR ±---°																								
DRAFT WHERE APPLICABLE MUST REMAIN WITHIN DIMENSIONS	DRAWN BY: ABENJAMINLW DATE: 2017/08/23 CHECKED BY: _____ DATE: _____ APPROVED BY: BRUPERT DATE: 2017/08/30 MATERIAL NO.	TITLE: 5.0MM, EURO PLUG, VERT, REAR WIRE ENTRY W/ SPCL IMPRINTING	MOLEX INCORPORATED DOCUMENT NO.	SHEET NO. 1 OF 2																				
A	SEE CHART	THIS DRAWING CONTAINS INFORMATION THAT IS PROPRIETARY TO MOLEX INCORPORATED AND SHOULD NOT BE USED WITHOUT WRITTEN PERMISSION		RSD-39523-001																				

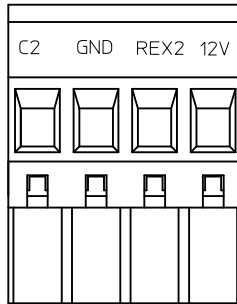
IMPRINTING CHART



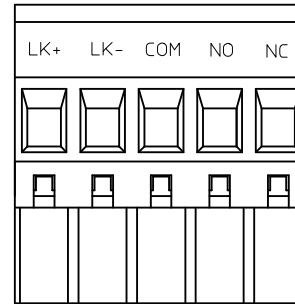
395239000



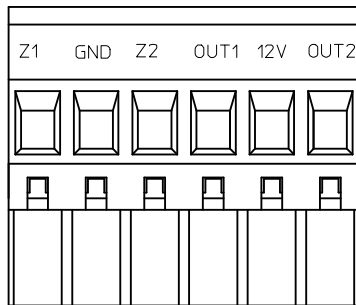
395239001



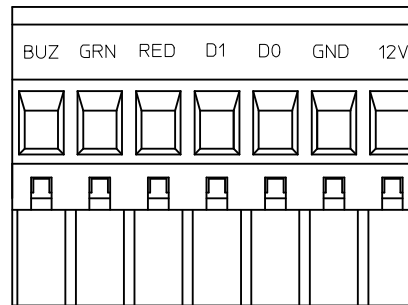
395239002



395239003



395239004



395239005

RPM-T201741599 EC NO: IPG2018-0096 DRWN: ABENJAMINLW 2017/08/23 CHKD: APPR: BRUPERT 2017/08/30	DESCRIPTION REV	QUALITY SYMBOLS	GENERAL TOLERANCES (UNLESS SPECIFIED)	DIMENSION STYLE MM/IN	SCALE 2:1	DESIGN UNITS INCH	THIRD ANGLE PROJECTION
		$F_A = 0$ $F_G = 0$ $F_P = 0$	mm INCH 4 PLACES ± --- ± --- 3 PLACES ± --- ± --- 2 PLACES ± --- ± --- 1 PLACE ± --- ± --- 0 PLACE ± ±	DRAWN BY DATE ABENJAMINLW 2017/08/23 CHECKED BY DATE	TITLE		
		ANGULAR ± --- ° DRAFT WHERE APPLICABLE MUST REMAIN WITHIN DIMENSIONS	APPROVED BY DATE BRUPERT 2017/08/30 MATERIAL NO.	5.0MM, EURO PLUG, VERT, REAR WIRE ENTRY W/ SPCL IMPRINTING molex	SHEET NO.		
		SEE CHART	DOCUMENT NO. RSD-39523-001	2 OF 2			

F

E

D

C

B

A

F

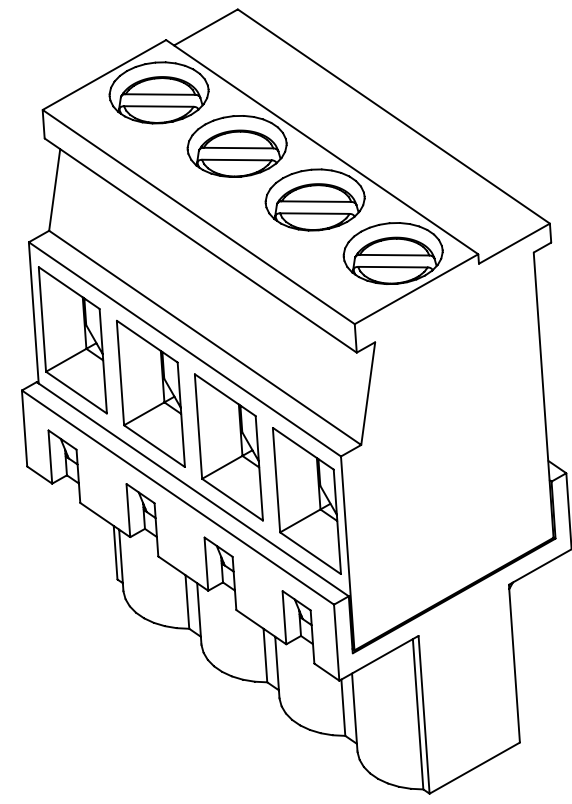
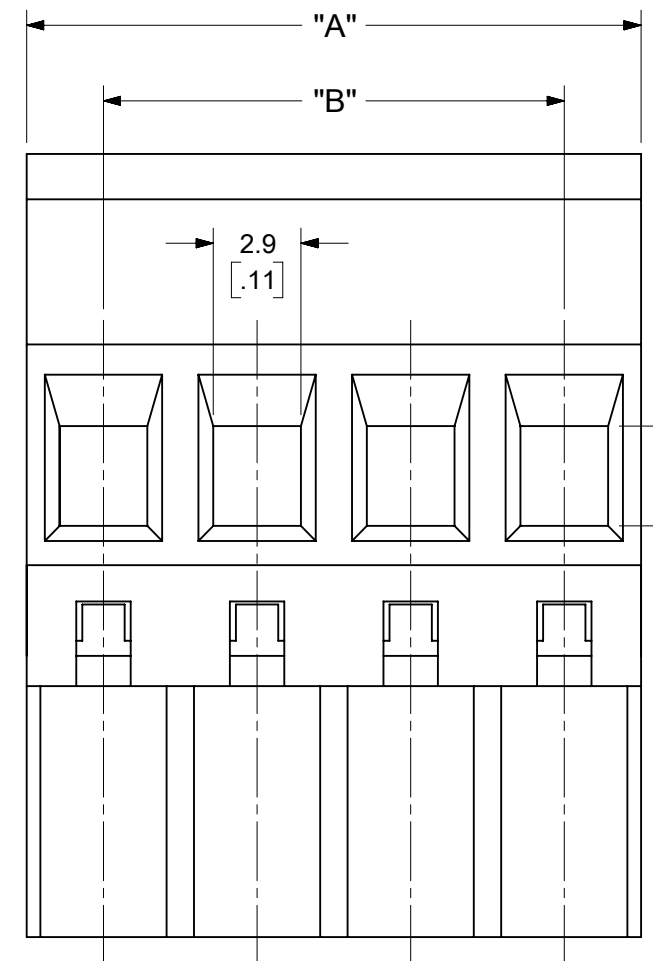
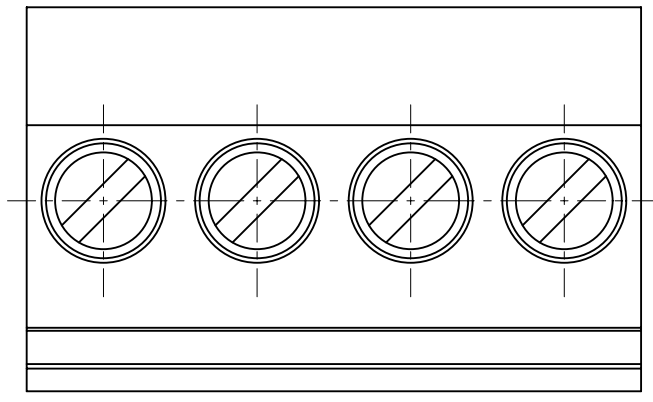
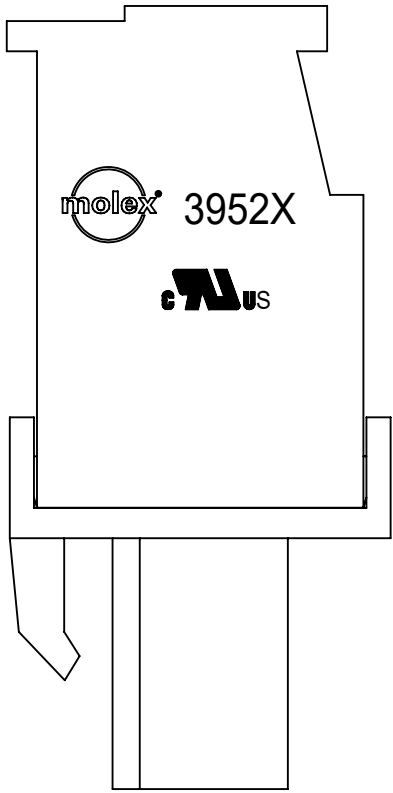
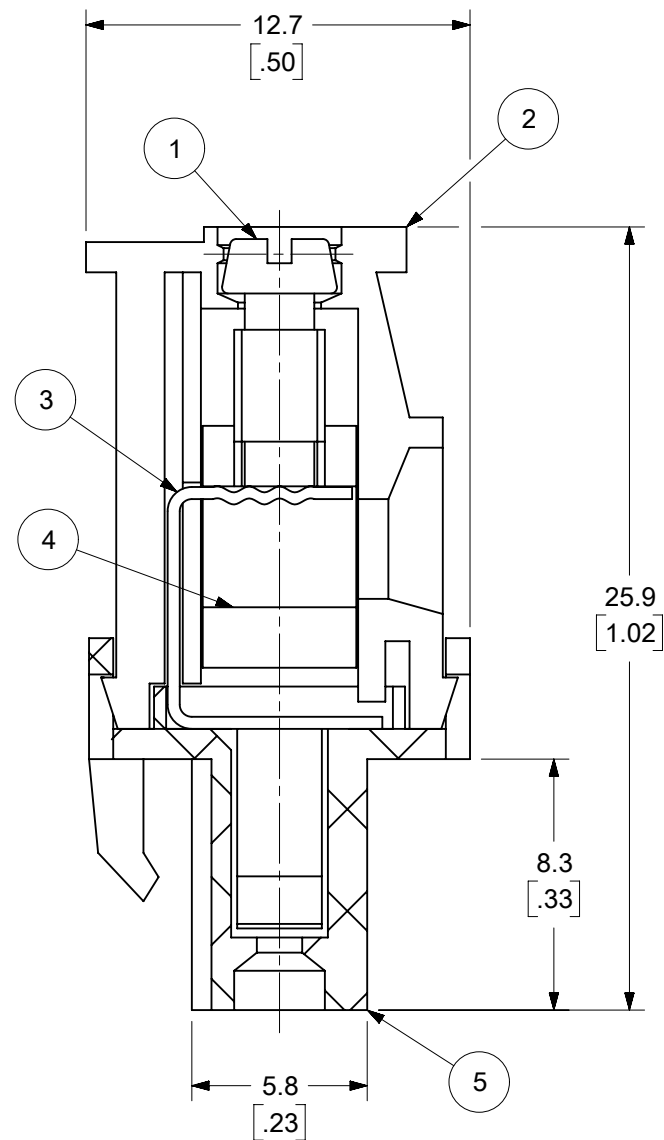
E

D

C

B

A



- SPECIFICATIONS:**
- MATERIAL:**
 - (1). M3 CLAMP SCREW: ZINC PLATED STEEL
 - (2). COVER: PA66, UL94-V0
 - (3). TERMINAL: TIN PLATED COPPER ALLOY
 - (4). CAGE: NICKEL PLATED BRASS
 - (5). BODY: PA66, UL94-V0
 - WIRE RANGE: 12 - 30 AWG
 - ELECTRICAL RATING: 300V, 18A PER UL
 - WIRE STRIP LENGTH: 5.0mm.
 - OPERATING TEMPERATURE: -40°C to +105°C.
 - MAX TORQUE: 5 IN LBS.
 - INSULATION RESISTANCE: DC 500V, 500MΩ.
 - DIELECTRIC WITHSTAND: AC 2500V FOR 1 MINUTE.
 - BREAKDOWN VOLTAGE: 4000V.
 - CONTACT RESISTANCE: <10 mΩ.

TOLERANCES			
MM	TOL	INCH	TOL
0-6	±0.25	0-.24	±.010
>6-30	±0.40	>.24-1.18	±.016
>30-120	±0.50	>1.18-4.76	±.020
>120	±0.80	>4.76	±.031

DOCUMENT STATUS	P1	RELEASE DATE	2023/05/25	16:08:30
-----------------	----	--------------	------------	----------

FUNCTIONAL SYMBOLS		THIS DRAWING CONTAINS INFORMATION THAT IS PROPRIETARY TO MOLEX ELECTRONIC TECHNOLOGIES, LLC AND SHOULD NOT BE USED WITHOUT WRITTEN PERMISSION		CURRENT REV DESC: REMOVED PCB LAYOUT			
FA = 0	MM/INCH	SCALE	4:1	EC NO: 750901			
EA = 0	GENERAL TOLERANCES (UNLESS SPECIFIED)			DRWN: ABENJAMINLW		2023/05/24	
EA = 0				CHK'D: DACHAMMER		2023/05/24	
DIVISIONAL SYMBOLS				APPR: JFMURPHY		2023/05/25	
				INITIAL REVISION:			
				DRWN: LROTHAUS		2006/01/09	
				APPR: JPAWLICK		2006/01/10	
				THIRD ANGLE PROJECTION		DRAWING	
				SERIES		MATERIAL NUMBER	
				B-SIZE		39523	
				CUSTOMER		GENERAL MARKET	
				SHEET NUMBER		1 OF 2	

