

DO NOT SCALE

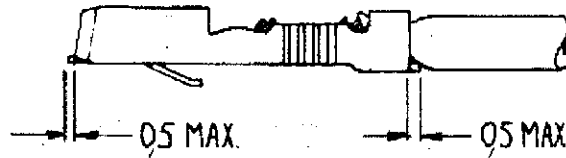
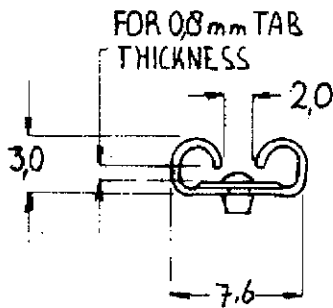
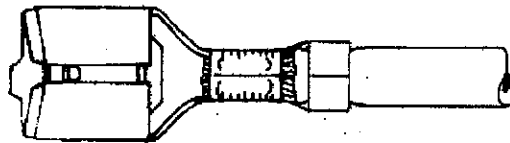
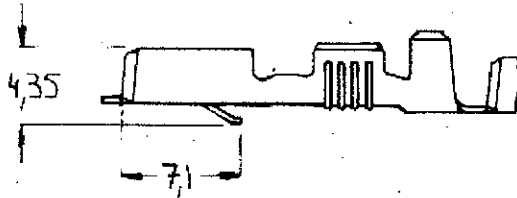
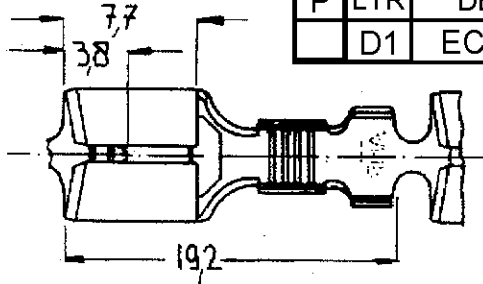
DIMENSIONS IN mm

METRIC

THIRD ANGLE
PROJECTION



P	LTR	DESCRIPTION	DATE	DWN	APVD
	D1	ECO-09-025699	05FEB10	KK	HMR



NOTES: 1 FOR USE ON STANDARD AND MINIATURE APPLICATION

2 REELED WITH PAPER COVER

3 OBSOLETE PARTS: OBSOLETE CIS STREAMLINING PER D.RENAUD/D.SINISI

3 OBSOLETE	1	PRE-TIN PLATED	PHOSPHOR BRONZE	6-160870-8
------------	---	----------------	-----------------	-----------------------

GENERAL TOLERANCES ±0.3

3 OBSOLETE	1	PRE-TIN PLATED	BRASS	6-160870-7
	1	TIN PLATED	PHOSPHOR BRONZE	160870-4
	1	UNPLATED	PHOSPHOR BRONZE	-3
3 OBSOLETE	1	TIN PLATED	BRASS	-2
	1	UNPLATED	BRASS	160870-1

NOTES	FINISH	MATERIAL	PART NUMBER
-------	--------	----------	-------------

CUSTOMER DRAWING

FOR REFERENCE ONLY
WILL NOT BE UPDATED



Tyco Electronics AMP
Barcelona, Spain

THIS DRAWING IS UNPUBLISHED RELEASED FOR PUBLICATION 19

COPYRIGHT 1984 BY AMP-HOLLAND B.V.
ALL INTERNATIONAL RIGHTS RESERVED
AMP PRODUCTS MAY BE COVERED BY U.S. AND FOREIGN PATENTS AND/OR PATENTS PENDING

DR L.V.D.HEYDEN	17.12.'84	WIRE RANGE 0.5-1.0 mm ²	NAME 63 SERIES FASTIN-FASTON RECEPTACLE	REV DATE D M Y
CHK <i>[Signature]</i>	20/12.84	INSUL RANGE 2.0-3.3 DIA.		17 01 03
APP <i>[Signature]</i>	24.1.85	SIZE A4	SHEET 1 OF 1	DRAWING NO C-160870
				REV LTR D1