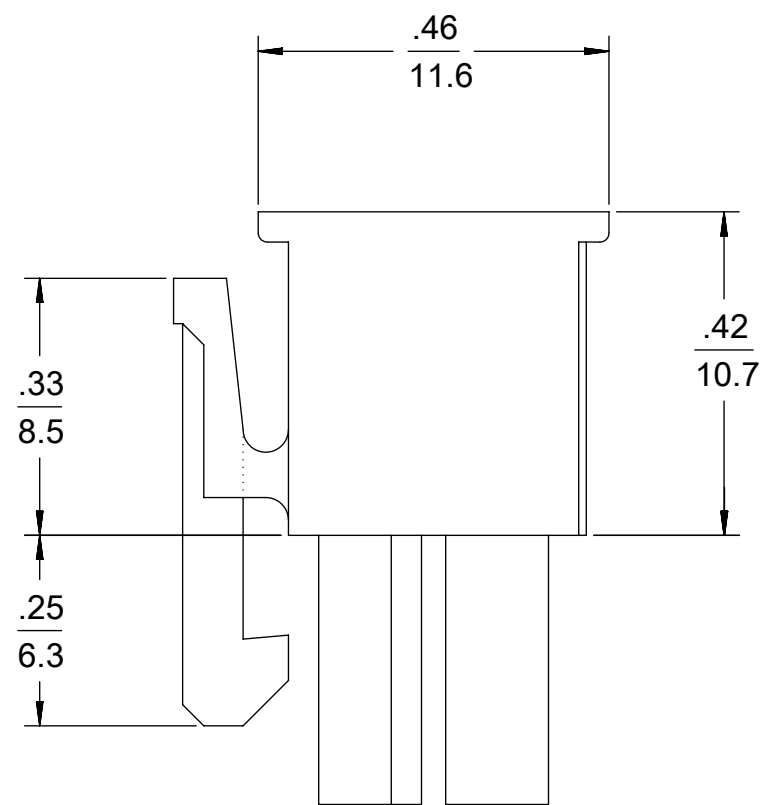
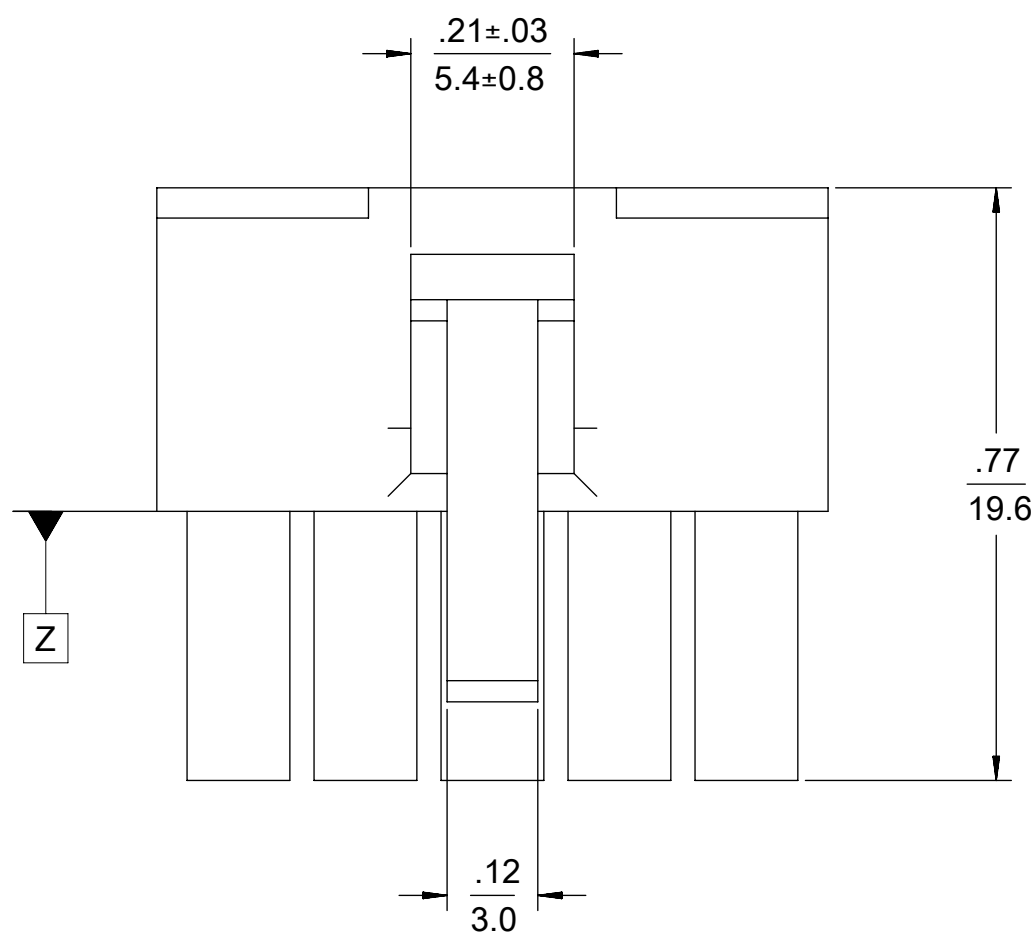


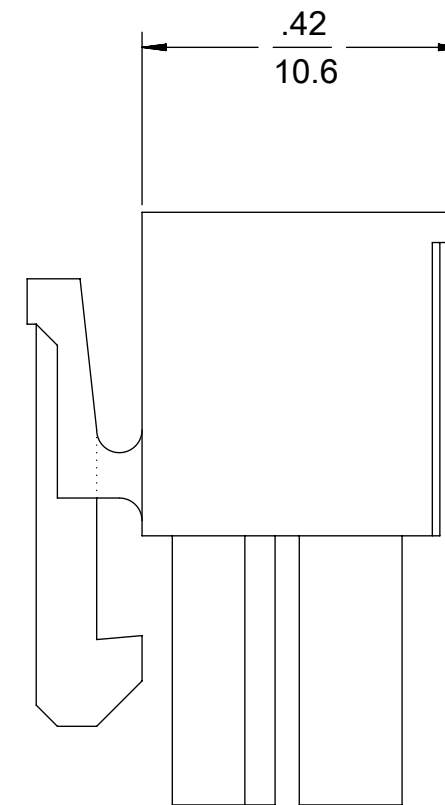
4 CKT SHOWN

NOTES:

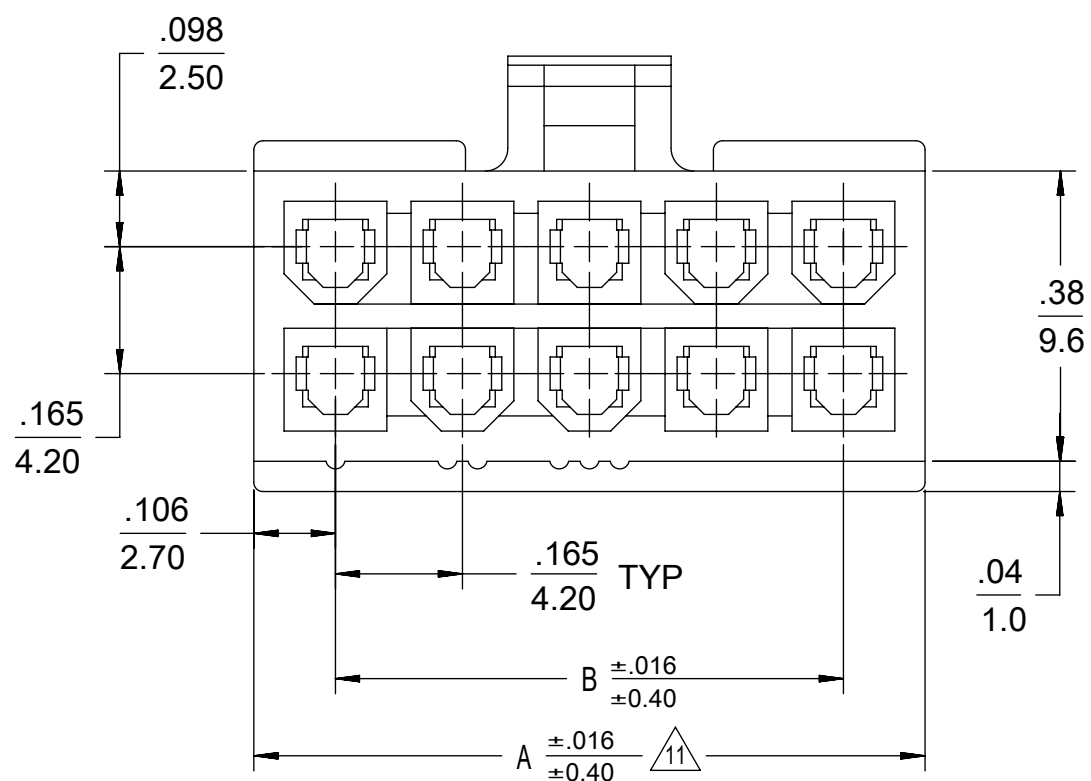
- 1) MATERIAL:
 - "BLANK" = NYLON 6/6, UNFILLED UL94V-2, COLOR: NATURAL.
 - "BL" = NYLON 6/6, UNFILLED UL94V-2, COLOR: BLACK.
 - "BU" = NYLON 6/6, UNFILLED UL94V-2, COLOR: BLUE.
 - "RE" = NYLON 6/6, UNFILLED UL94V-2, COLOR: RED.
 - "YE" = NYLON 6/6, UNFILLED UL94V-2, COLOR: YELLOW.
 - "GRE" = NYLON 6/6, UNFILLED UL94V-2, COLOR: GREEN.
 - "210" = NYLON 6/6, UNFILLED UL94V-0, COLOR: NATURAL.
 - "400" = NYLON 6/6, UNFILLED UL94V-0, COLOR: BLACK.
- 2) FINISH: NOT APPLICABLE
- 3) PRODUCT SPECIFICATION: PS-5556-001
- 4) PACKAGING: BULK PACKED PER PK-5557-002
- 5) PART MATES WITH MOLEX PLUG #5559 AND HEADERS #5566, #5569.
- 6) PART TO BE USED WITH MOLEX FEMALE TERMINAL #5556.
- 7) PART IS NOT DESIGNED FOR CURRENT SHARING.
- 8) CONNECTORS ARE NOT TO BE MATED OR UNMATED WHILE CIRCUITS ARE LIVE.
- 9) WIRES ARE TO BE DRESSED IN SUCH A MANNER TO ALLOW THE TERMINALS TO FLOAT FREELY IN THE POCKET.
- 10) PART CONFORMS TO CLASS "B" REQUIREMENTS OF COSMETIC SPECIFICATION PS-45499-002 WITH THE EXCEPTION OF DISCOLORATION, FLASH AND SINK MEET CLASS "C" REQUIREMENTS.
- 11) TO BE MEASURED AT SURFACE Z
- 12) TEXT ON PART IS FOR REFERENCE ONLY. TEXT AND TEXT LOCATION MAY VARY DEPENDING ON PART NUMBER AND/OR TOOL.
- 13) BUBBLE IS ACCEPTABLE ON LATCH AREA.



4-24 CKT



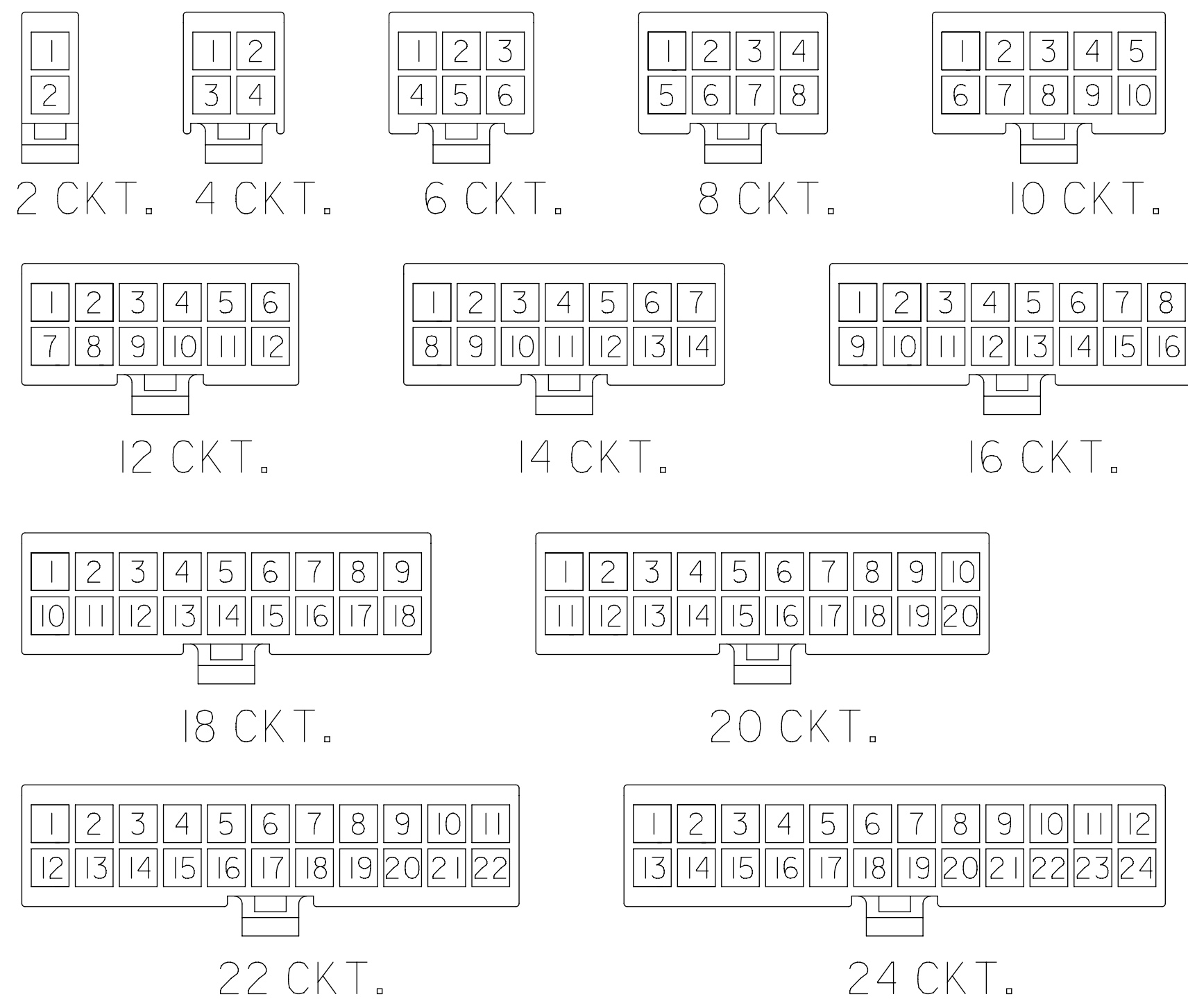
2 CKT ONLY



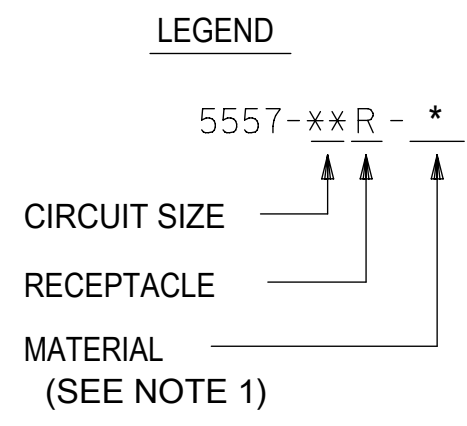
2.031/(51.60)	1.819/(46.20)	24
1.866/(47.40)	1.654/(42.00)	22
1.701/(43.20)	1.488/(37.80)	20
1.535/(39.00)	1.323/(33.60)	18
1.370/(34.80)	1.157/(29.40)	16
1.205/(30.60)	0.992/(25.20)	14
1.039/(26.40)	0.827/(21.00)	12
0.874/(22.20)	0.661/(16.80)	10
0.709/(18.00)	0.496/(12.60)	8
0.543/(13.80)	0.331/(8.40)	6
0.378/(9.60)	0.165/(4.20)	4
0.213/(5.40)	—+—	2
A	B	NO. OF CKTS.

THIS DRAWING CONTAINS INFORMATION THAT IS PROPRIETARY TO MOLEX ELECTRONIC TECHNOLOGIES, LLC AND SHOULD NOT BE USED WITHOUT WRITTEN PERMISSION

DIMENSION UNITS	SCALE	CURRENT REV DESC:			
INCH	NTS				
GENERAL TOLERANCES (UNLESS SPECIFIED)			MINIFIT JR RECEPTACLE HOUSING DUAL ROW 2-24 CKT PRODUCT CUSTOMER DRAWING		
4 PLACES	±	EC NO: 719028			
3 PLACES	±	DRWN: JERRYW8 2022/08/22			
2 PLACES	± 0.25 ± 0.015	CHK'D: XQZHANG 2022/09/01			
1 PLACE	± 0.38 ±	APPR: XQZHANG 2022/09/01			
0 PLACES	±	INITIAL REVISION:	DOCUMENT NUMBER		
ANGULAR TOL	± 0.5 °	DRWN: S.MOCHIZUKI 1990/02/22	SD-5557-003		
DRAFT WHERE APPLICABLE MUST REMAIN WITHIN DIMENSIONS	THIRD ANGLE PROJECTION	APPR: FSMITH 2011/02/21	DOC TYPE	DOC PART	REVISION
		DRAWING	PSD	000	J20
		SERIES	MATERIAL NUMBER	CUSTOMER	SHEET NUMBER
		C-SIZE	SEE TABLE	GENERAL MARKET	1 OF 2
		5557			



CIRCUIT SIZE LAYOUT
(NOT TO SCALE)



V-0 (BLACK)			V-0 (NATURAL)		
39-03-9242	5557-24R-400	24	39-01-2245	5557-24R-210	24
-	-	22	39-01-2225	5557-22R-210	22
-	-	20	39-01-2205	5557-20R-210	20
39-03-9182	5557-18R-400	18	39-01-2185	5557-18R-210	18
39-03-9162	5557-16R-400	16	39-01-2165	5557-16R-210	16
39-03-9142	5557-14R-400	14	39-01-2145	5557-14R-210	14
39-03-9122	5557-12R-400	12	39-01-2125	5557-12R-210	12
39-03-9102	5557-10R-400	10	39-01-2105	5557-10R-210	10
39-03-9082	5557-08R-400	8	39-01-2085	5557-08R-210	8
39-03-9062	5557-06R-400	6	39-01-2065	5557-06R-210	6
39-03-9042	5557-04R-400	4	39-01-2045	5557-04R-210	4
39-03-9022	5557-02R-400	2	39-01-2025	5557-02R-210	2
EDP. NO.	ENG. NO.	NO. OF CKTS.	EDP. NO.	ENG. NO.	NO. OF CKTS.

* = CONSULT FACTORY FOR AVAILABILITY.

V-2 (BLUE)			V-2 (GREEN)			V-2 (YELLOW)			V-2 (RED)			V-2 (BLACK)			V-2 (NATURAL)		
		24			24			24	-	-	24	-	-	24	39-01-2240	5557-24R	24
		22			22			22	-	-	22	39-01-3225	5557-22R-BL	22	39-01-2220	5557-22R	22
		20			20			20	-	-	20	-	-	20	39-01-2200	5557-20R	20
		18			18			18	-	-	18	-	-	18	39-01-2180	5557-18R	18
		16			16			16	-	-	16	-	-	16	39-01-2160	5557-16R	16
		14			14			14	-	-	14	-	-	14	39-01-2140	5557-14R	14
		12			12			12	-	-	12	39-01-3125	5557-12R-BL	12	39-01-2120	5557-12R	12
*	39-02-7108	5557-10R-BU	10		10			10	-	-	10	39-01-3105	5557-10R-BL	10	39-01-2100	5557-10R	10
		8			8			8	-	-	8	39-01-3085	5557-08R-BL	8	39-01-2080	5557-08R	8
		6			6			6	39-02-8060	5557-06R-RE	6	39-01-3065	5557-06R-BL	6	39-01-2060	5557-06R	6
		4			4			4	* 39-02-8040	5557-04R-RE	4	39-01-3045	5557-04R-BL	4	39-01-2040	5557-04R	4
		2			2			2	-	-	2	39-01-3025	5557-02R-BL	2	39-01-2020	5557-02R	2
EDP. NO.	ENG. NO.	NO. OF CKTS.	EDP. NO.	ENG. NO.	NO. OF CKTS.	EDP. NO.	ENG. NO.	NO. OF CKTS.	EDP. NO.	ENG. NO.	NO. OF CKTS.	EDP. NO.	ENG. NO.	NO. OF CKTS.	EDP. NO.	ENG. NO.	NO. OF CKTS.

THIS DRAWING CONTAINS INFORMATION THAT IS PROPRIETARY TO MOLEX ELECTRONIC TECHNOLOGIES, LLC AND SHOULD NOT BE USED WITHOUT WRITTEN PERMISSION

DIMENSION UNITS: INCH NTS SCALE

GENERAL TOLERANCES (UNLESS SPECIFIED)

4 PLACES	±	±
3 PLACES	±	± 0.01
2 PLACES	± 0.25	± 0.015
1 PLACE	± 0.38	±
0 PLACES	±	±
ANGULAR TOL	± 0.5 °	

DRAFT WHERE APPLICABLE MUST REMAIN WITHIN DIMENSIONS

THIRD ANGLE PROJECTION

DRAWING: C-SIZE

SERIES: 5557

CURRENT REV DESC:

EC NO: 719028
 DRWN: JERRYW8 2022/08/22
 CHK'D: XQZHANG 2022/09/01
 APPR: XQZHANG 2022/09/01

INITIAL REVISION:
 DRWN: S.MOCHIZUKI 1990/02/22
 APPR: FSMITH 2011/02/21

molex

MINIFIT JR
 RECEPTACLE HOUSING DUAL ROW 2-24 CKT

PRODUCT CUSTOMER DRAWING

DOCUMENT NUMBER: SD-5557-003
 DOC TYPE: PSD
 DOC PART: 000
 REVISION: J20

MATERIAL NUMBER: SEE TABLE
 CUSTOMER: GENERAL MARKET
 SHEET NUMBER: 2 OF 2