

6

5

4

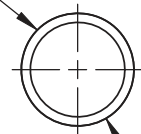
3

2

1

REVISIONS					
REV.	ECR#	ZONE	DESCRIPTION	CHANGED BY/DATE	APPROVED BY/DATE
AA			INITIAL RELEASE	K.S. 12-14-10	K.S. 12-14-10

VENTED CAP FOR INVERTED MOUNTING



Ø 31.68±0.50

D

D

C

C

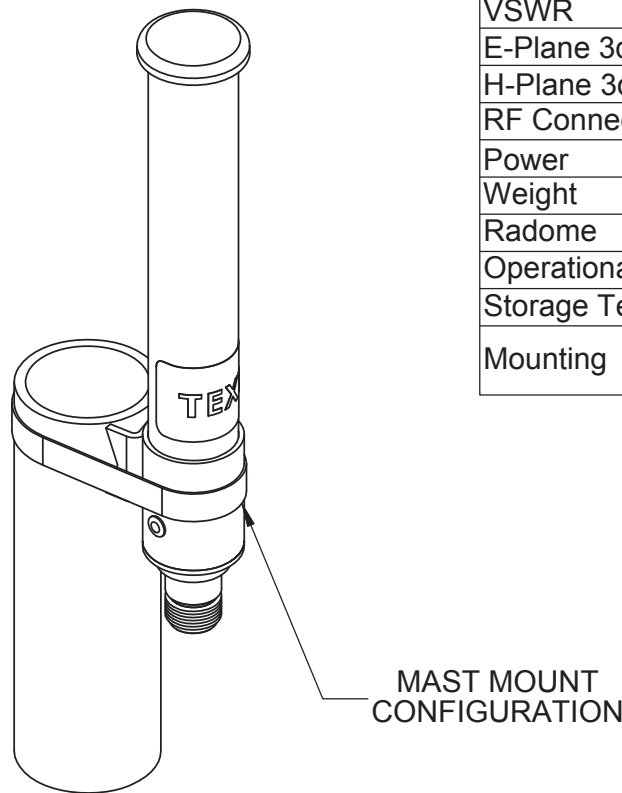
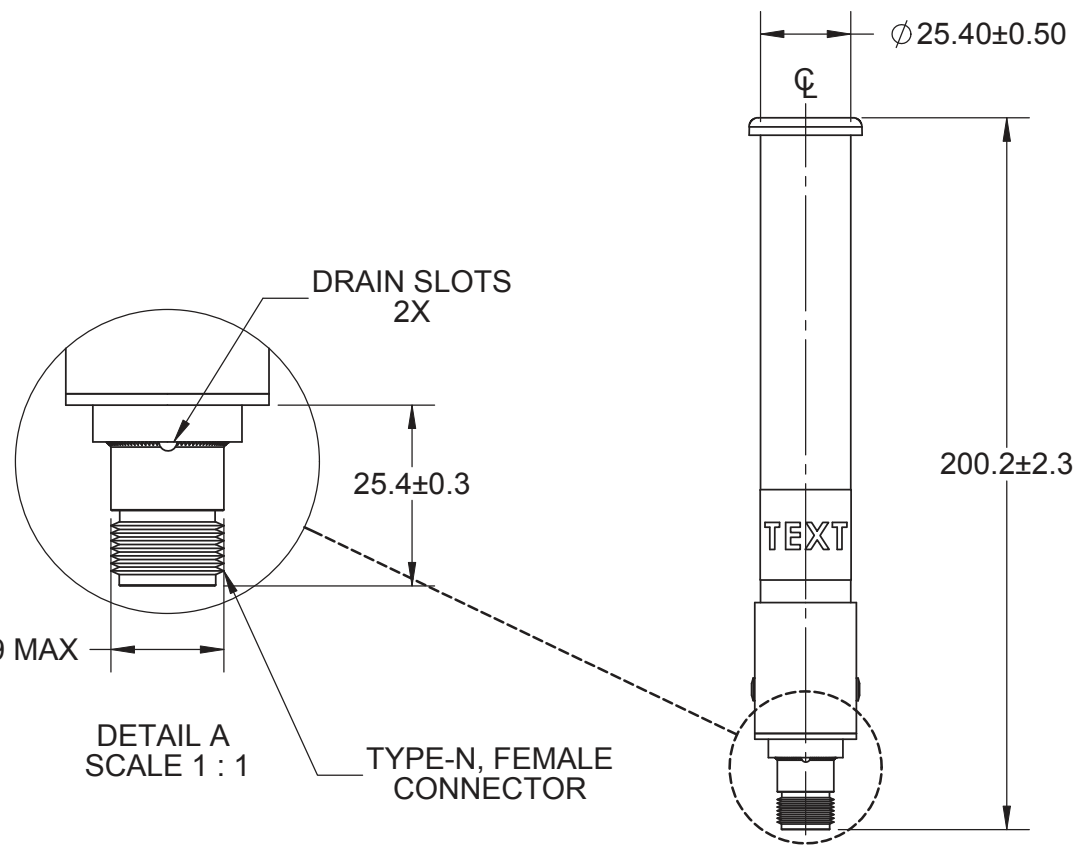
B

B

A

A

Parameter	Performance
Model Number	OC51505H-FNF
Frequency	5150-5875MHz
Gain	5dBi
Polarization	Linear, Horizontal
VSWR	2.0:1
E-Plane 3dB Beamwidth	Omnidirectional
H-Plane 3dB Beamwidth	33°
RF Connector	Type N, Female, Fixed, Tri-Metal
Power	10 Watts
Weight	0.18kg
Radome	Polycarbonate, UV, White
Operational Temperature	-30°C to +70°C
Storage Temperature	-40°C to +85°C
Mounting	Connector Fixed or Mast Mount Kit, Upright and Inverted Orientation



MATERIAL: N/A		THIRD ANGLE PROJECTION				
FINISH: N/A						
APPROVALS		DATE		TITLE:		
DRAWN BY	K. SEARL	08-04-10		OC51505H-FNF		
PROJ. ENG.	T. PETROPOULOS	12-14-10				
APPL. MECH.	S. JOHNSON	12-14-10		INTERPRET DIMENSIONING AND TOLERANCING IN ACCORDANCE WITH ASME Y 14.5M-2009 TOLERANCES UNLESS OTHERWISE SPECIFIED DIMENSIONS ARE IN MILLIMETERS		
MFG.	I. CHICKLIS	12-14-10		ANGLE: ±30° 0 PLACE DECIMAL: ±0.5 1 PLACE DECIMAL: ±0.25 2 PLACE DECIMAL: ±0.13 SURFACE ROUGHNESS 1.6/√		
THIS DRAWING IS UNPUBLISHED.		RELEASED FOR PUBLICATION - , -		SIZE	DWG. NO.	REV
© Copyright 2022 TE Connectivity Ltd.		ALL RIGHTS RESERVED.		A3	OC51505H-FNFM0	AA
				SCALE: 1:2	PREVIOUS#	SHEET 1 OF 1

6

5

4

3

2

1