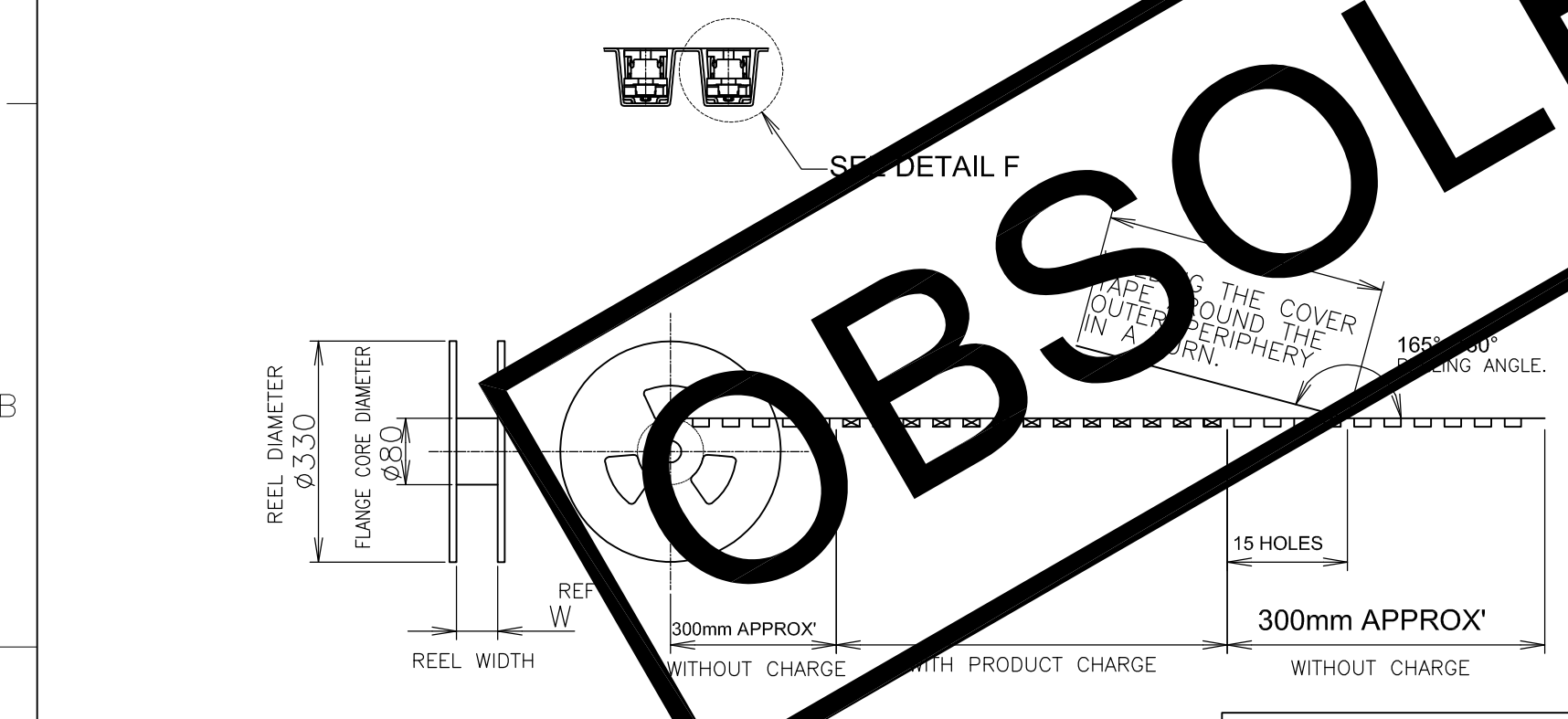
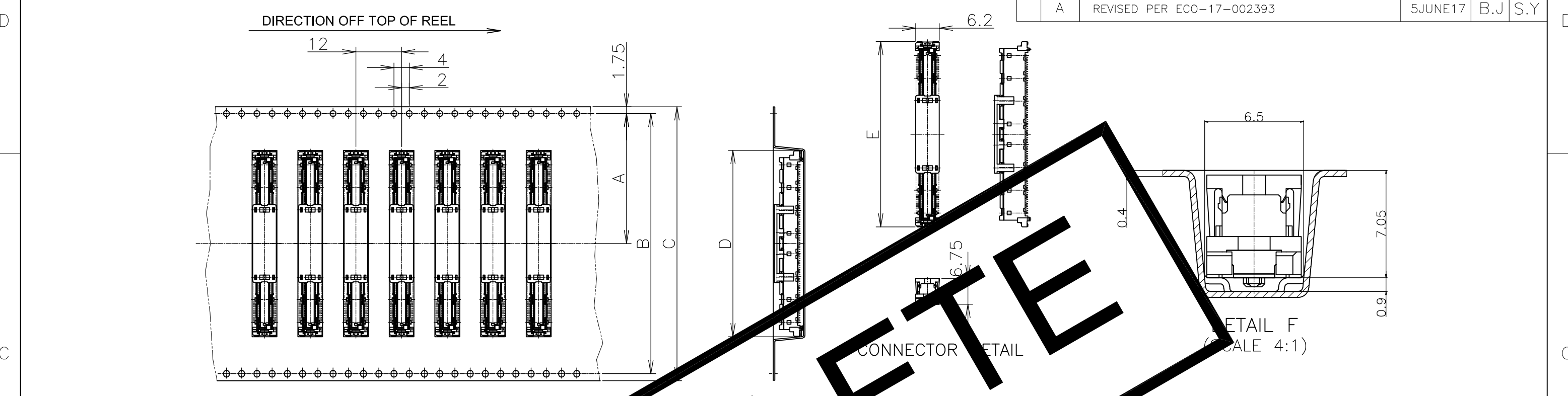


THIS DRAWING IS UNPUBLISHED. RELEASED FOR PUBLICATION JAN ,2002.  
 © COPYRIGHT 2002 BY TYCO ELECTRONICS CORPORATION. ALL RIGHTS RESERVED.

LOC	DIST	REVISIONS			
P	LTR	DESCRIPTION	DATE	DWN	APVD
	O	RELEASED	FJB0-0001-05	10DEC04	H.H I.E
	A	REVISED PER ECO-17-002393		5JUNE17	B.J S.Y



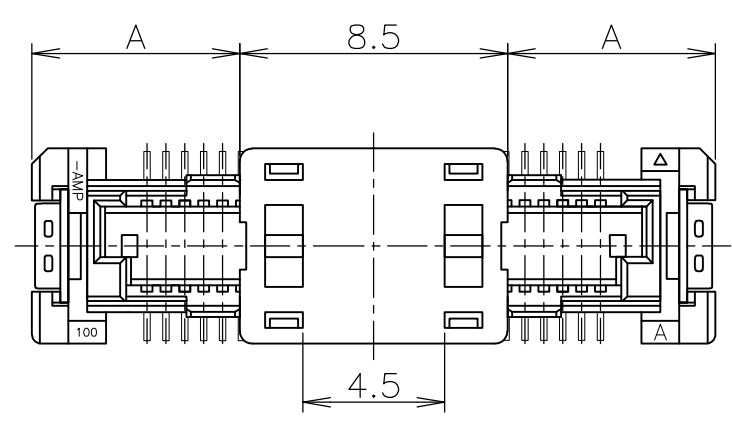
OBSOLETE

SEALANT	SEALANT(SI-200B)	NON SEALANT	TOOLING STATUS	QTY	W	E	D	C	B	A	POS.	PART NO.
NOT AVAILABLE	650	77.5	54.7	55	72	68.4	34.2	160				
		77.5	48.7	49	72	68.4	34.2	140				
		61.5	42.7	43	56	52.4	26.2	120				
		61.5	36.7	37	56	52.4	26.2	100				
		61.5	33.7	34	56	52.4	26.2	90				
		49.5	30.7	31	44	40.4	20.2	80				
		49.5	27.7	28	44	40.4	20.2	70				
		49.5	24.7	25	44	40.4	20.2	60				
NOT AVAILABLE	650	37.5	21.7	22	32	28.4	14.2	50				
NOT AVAILABLE	650	77.5	54.7	55	72	68.4	34.2	160				
		77.5	48.7	49	72	68.4	34.2	140				
		61.5	42.7	43	56	52.4	26.2	120				
		61.5	36.7	37	56	52.4	26.2	100				
		61.5	33.7	34	56	52.4	26.2	90				
		49.5	30.7	31	44	40.4	20.2	80				
		49.5	27.7	28	44	40.4	20.2	70				
		49.5	24.7	25	44	40.4	20.2	60				
NOT AVAILABLE	650	37.5	21.7	22	32	28.4	14.2	50				6612008-3

THIS DRAWING IS A CONTROLLED DOCUMENT.		DWN	HAWKING HE	10DEC04	Tyco Electronics AMP K.K.			
		CHK	STEVEN YAO	10DEC04	Kawasaki.Japan			
		APVD	I.ENOMOTO	10DEC04	NAME			
		PRODUCT SPEC	108-60047		EMBOSS ASSY			
		APPLICATION SPEC	114-5255		FH 0.6BTB CONNECTOR			
		WEIGHT	A3 00779		DRAWING NO			
		CUSTOMER DRAWING	SCALE 1:1		SHEET 1 OF 4			
			RESTRICTED TO		REV A			

THIS DRAWING IS UNPUBLISHED. RELEASED FOR PUBLICATION JUN , 1996.  
 © COPYRIGHT 1996 BY TYCO ELECTRONICS CORPORATION. ALL RIGHTS RESERVED.

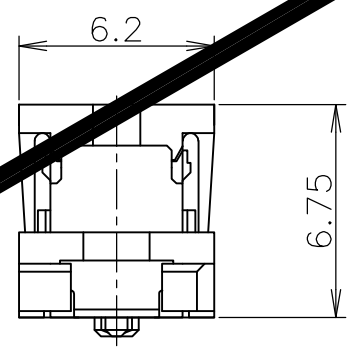
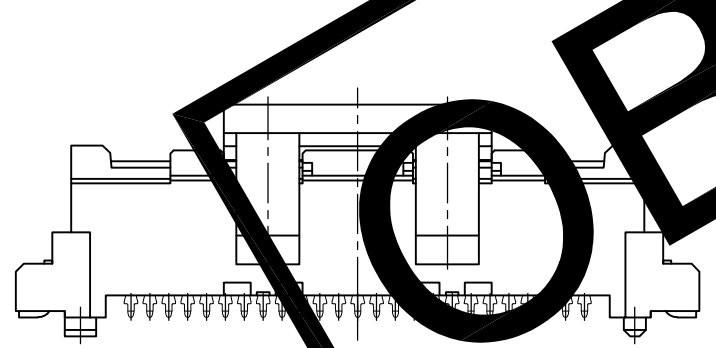
LOC	DIST	REVISIONS			
P	LTR	DESCRIPTION	DATE	DWN	APVD
	-	SEE SHEET 1	-	-	-



1 CONNECTORS DIMENSION AND RECOMMENDED P.C. BOARD LAYOUT : SEE CONNECTOR DRAWING

OBSOLETE

LEAD FREE

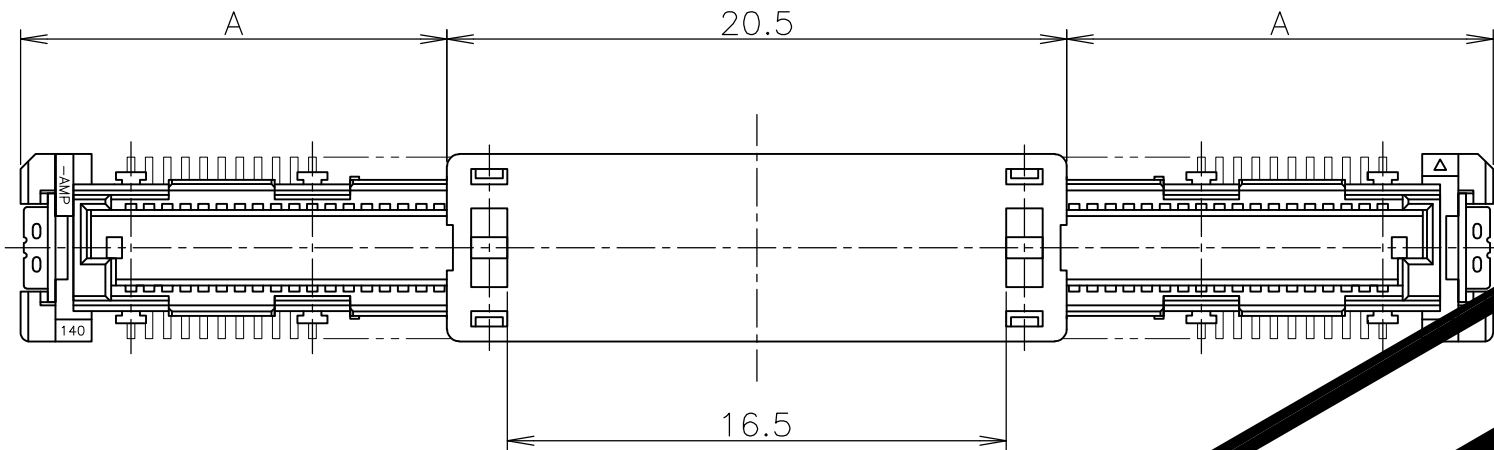


NOT AVAILABLE		80	
NOT AVAILABLE		70	
NOT AVAILABLE		60	
AVAILABLE	6.6	50	1123835-2
TOOLING STATUS	A	POS	CAP P/N

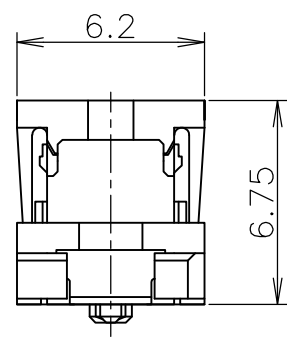
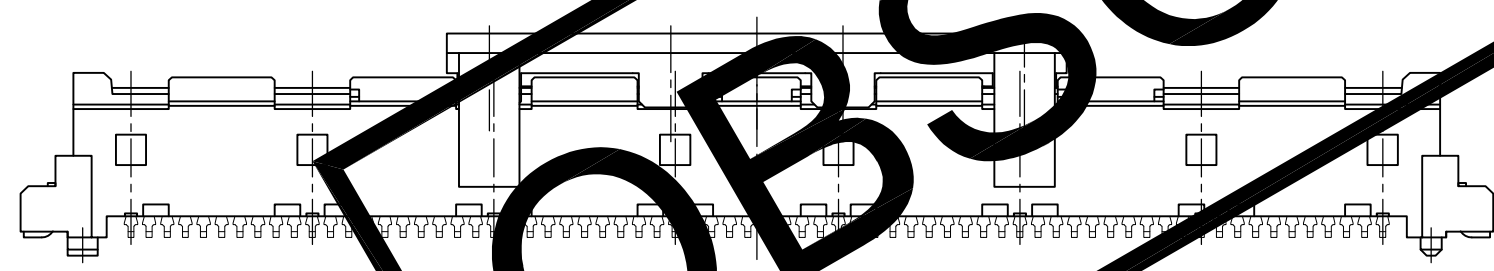
THIS DRAWING IS A CONTROLLED DOCUMENT.		DWN HAWKING HE 10DEC04	Tyco Electronics AMP K.K. Kawasaki, Japan	
DIMENSIONS: MM		CHK STEVEN YAO 10DEC04		
TOLERANCES UNLESS OTHERWISE SPECIFIED:		APVD I. ENOMOTO 10DEC04	NAME	
0 PLC ± 0.2 1 PLC ± 0.2 2 PLC ± 0.2 3 PLC ± 0.2 4 PLC ± 0.2 ANGLES ± 3°		PRODUCT SPEC 108-60047	EMBOSS ASSY	
MATERIAL		APPLICATION SPEC 114-5255	FH 0.6BTB CONNECTOR	
FINISH		WEIGHT	SIZE A3	RESTRICTED TO
		CUSTOMER DRAWING	CAGE CODE 00779	DRAWING NO C-6612008
			SCALE 4:1	SHEET 2 OF 4 REV A

THIS DRAWING IS UNPUBLISHED. RELEASED FOR PUBLICATION JUN , 1996.  
 © COPYRIGHT 1996 BY TYCO ELECTRONICS CORPORATION. ALL RIGHTS RESERVED.

LOC	DIST	REVISIONS			
P	LTR	DESCRIPTION	DATE	DWN	APVD
		SEE SHEET 1	-	-	-



1 CONNECTORS DIMENSION AND RECOMMENDED P.C. BOARD LAYOUT : SEE CONNECTOR DRAWING



LEAD FREE

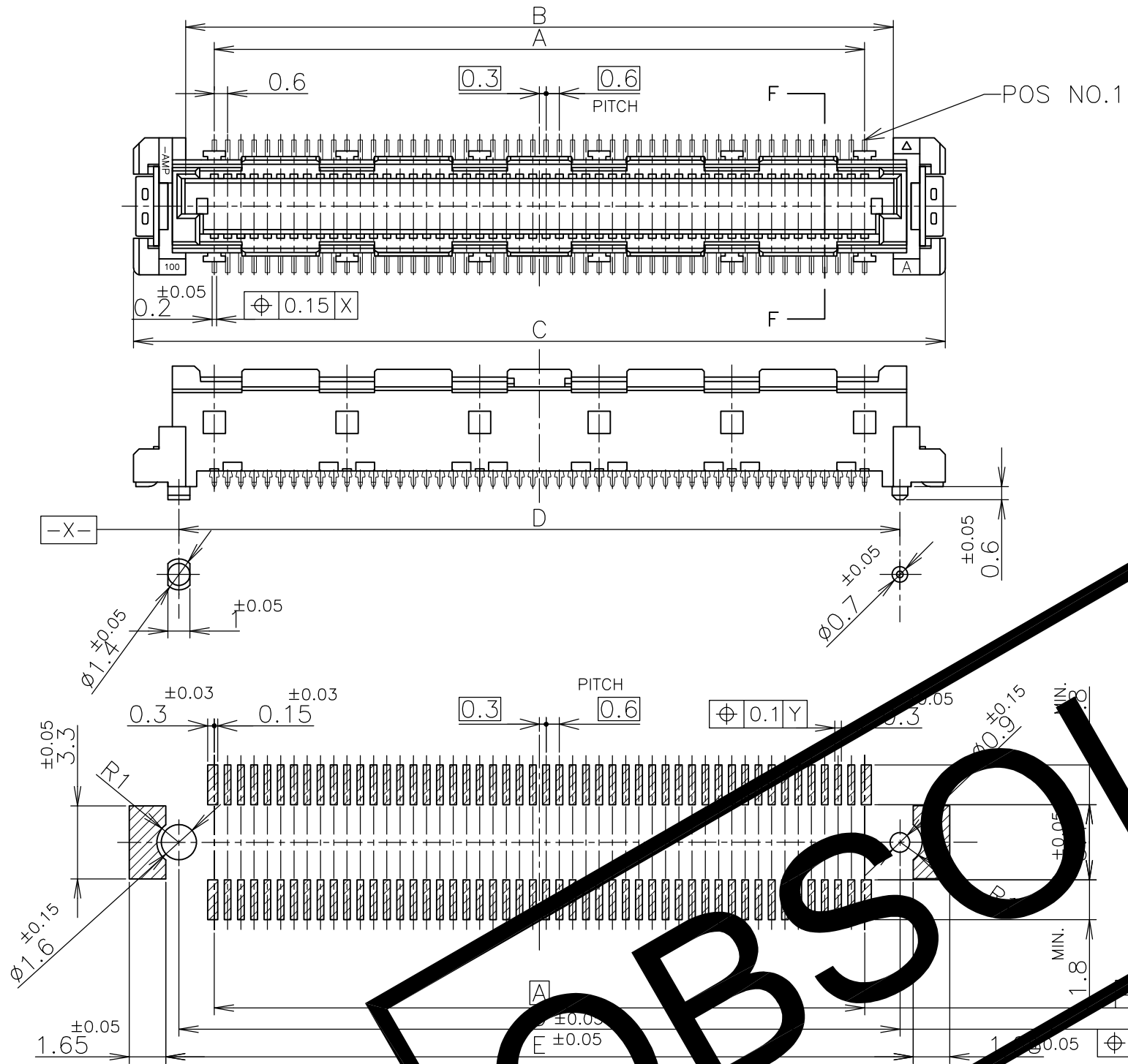
NOT AVAILABLE		160	
NOT AVAILABLE		140	
NOT AVAILABLE		120	
NOT AVAILABLE		100	
NOT AVAILABLE		90	
TOOLING STATUS	A	POS	CAP P/N

**OBSOLETE**

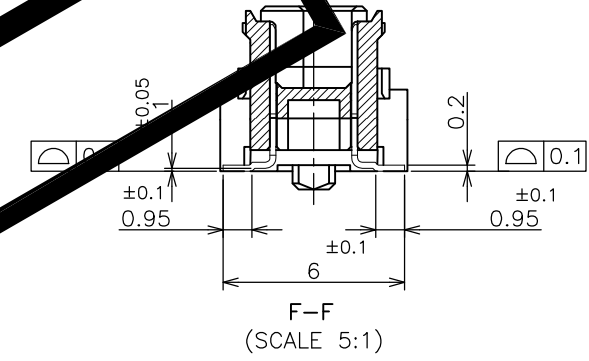
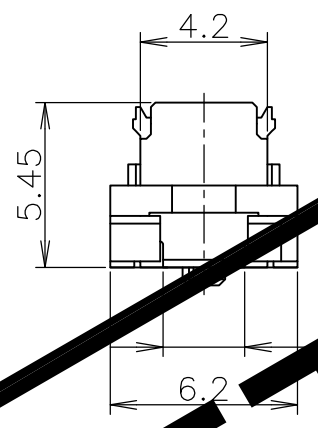
THIS DRAWING IS A CONTROLLED DOCUMENT.		DWN HAWKING HE 10DEC04	Tyco Electronics AMP K.K. Kawasaki, Japan	
DIMENSIONS: MM		CHK STEVEN YAO 10DEC04		
TOLERANCES UNLESS OTHERWISE SPECIFIED:		APVD I.ENOMOTO 10DEC04	NAME	
0 PLC ± 0.2		PRODUCT SPEC	EMBOSS ASSY	
1 PLC ± 0.2		108-60047	FH 0.6BTB CONNECTOR	
2 PLC ± 0.2		APPLICATION SPEC	PLUG 6H STD TYPE WITH 1ROW CAP	
3 PLC ± 0.2		114-5255	SIZE A3	CAGE CODE 00779
4 PLC ± 0.2		WEIGHT	DRAWING NO C-6612008	RESTRICTED TO
ANGLES ± 3'				
FINISH		CUSTOMER DRAWING	SCALE 4:1	SHEET 3 OF 4

THIS DRAWING IS UNPUBLISHED. RELEASED FOR PUBLICATION JUN , 1996.  
 © COPYRIGHT 1996 BY TYCO ELECTRONICS CORPORATION. ALL RIGHTS RESERVED.

LOC	DIST	REVISIONS					
J	/	P	LTR	DESCRIPTION	DATE	DWN	APVD
		-		SEE SHEET 1	-	-	-



- ① MATERIAL : HOUSING : HIGH TEMP THERMO PLASTIC UL94V-0  
CONTACT : COPPER ALLOY
- ② FINISH : UNDER PL Ni 0.0013mm MIN ALL OVER.  
CONTACT AREA 0.0002 MIN Au PL.  
SOLDERING AREA 0.001 MIN TIN PL.
- ③ SEE PACKING ASSY DWG AS FINAL ASSY PART NUMBER.



OBSOLETE

LEAD FREE

RECOMMENDED P.C. BOARD LAYOUT (VIEW FROM CONN. MOUNTING SIDE)

NOT AVAILABLE	51.8	50.6	54.7	47.4	160	
AVAILABLE	45.8	44.6	48.7	44	140	
NOT AVAILABLE	39.8	38.6	42.7	38	120	
AVAILABLE	33.8	32.6	36.7	32	100	
NOT AVAILABLE	30.8	29.6	33.7	29	90	
NOT AVAILABLE	27.8	26.6	30.7	26	80	
AVAILABLE	24.8	23.6	27.7	23	70	
NOT AVAILABLE	21.8	20.6	24.7	20	60	
AVAILABLE	18.8	17.6	21.7	17	50	
NOT AVAILABLE	15.8	14.6	18.7	14	40	
NOT AVAILABLE	12.8	11.6	15.7	11	30	
TOOLING STATUS	E	D	C	B	A	POS

THIS DRAWING IS A CONTROLLED DOCUMENT.		DWN HAWKING HE 10DEC04	Tyco Electronics AMP K.K. Kawasaki, Japan					
DIMENSIONS: MM		CHK STEVEN YAO 10DEC04						
TOLERANCES UNLESS OTHERWISE SPECIFIED:		APVD I.ENOMOTO 10DEC04	NAME					
0 PLC ± 0.3 1 PLC ± 0.3 2 PLC ± 0.3 3 PLC ± 0.3 4 PLC ANGLES ± 0.3 FINISH ± 3'		PRODUCT SPEC 108-60047		EMBOSS ASSY FH 0.6BTB CONNECTOR PLUG 6H STD TYPE WITH 1ROW CAP				
MATERIAL ①		APPLICATION SPEC 114-5255		SIZE A3	CAGE CODE 00779	DRAWING NO G-6612008	RESTRICTED TO	
FINISH ②		WEIGHT		CUSTOMER DRAWING		SCALE 4:1	SHEET 4 OF 4	REV A