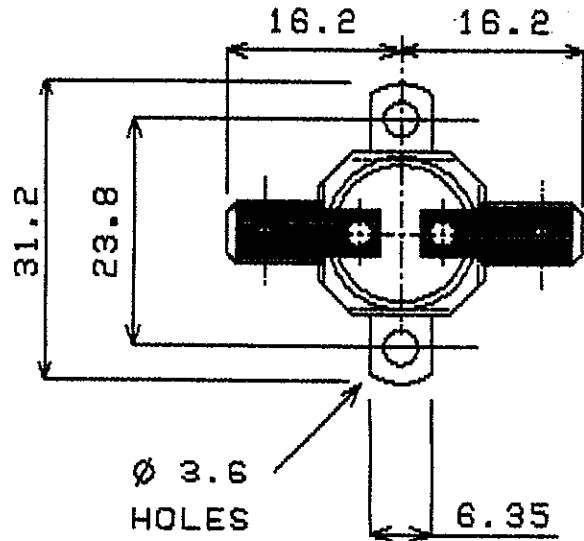


DO NOT SCALE ALL DIMENSIONS ARE FOR REFERENCE ONLY

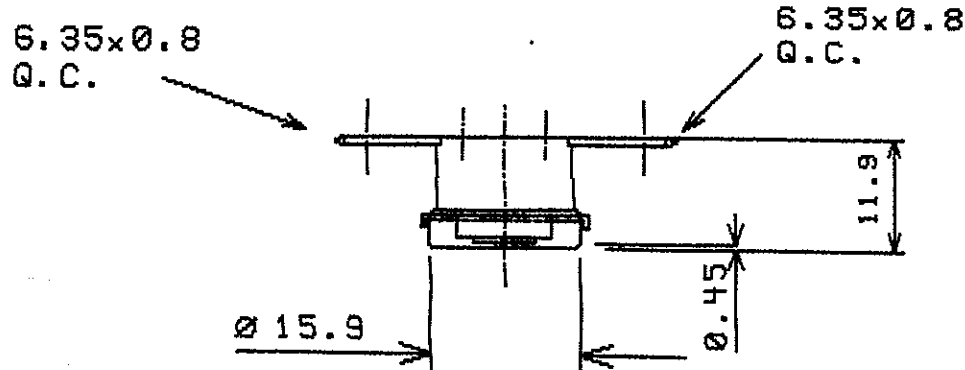
OPERATING CRITERIA



VOLTS: 240      AMPS: 10      HZ:

OPERATING TEMPS. DEG. C

OPEN: 30 ± 3  
CLOSE: 20 ± 4



NOTE! ORIENTATION OF BRACKET IS NOT FIXED

ISSUE	A	B								
MOD No	2052	2350								
MTH/YR	3/97	7/98								

CODING REQUIREMENTS  
COLOUR: LASER CODE  
L30C RP 9100 432 XXX

(XXX = DATE CODING)

CAP: 8200      MAT'L: ALUMINIUM  
BRK'T: B2036      MAT'L: STEEL  
..... PLATING: NICKEL .....

TERMINAL: T146      T146  
MATERIAL: BRASS      BRASS  
PLATING:

ELMWOOD DEVICE & UNIQUE PART No.  
2455RP-9100-432

ELMWOOD DRG No.      ISSUE  
965200      B

**E**      ELMWOOD  
SENSORS LTD

DATE OF ISSUE STAMP  
7 JUL 1998