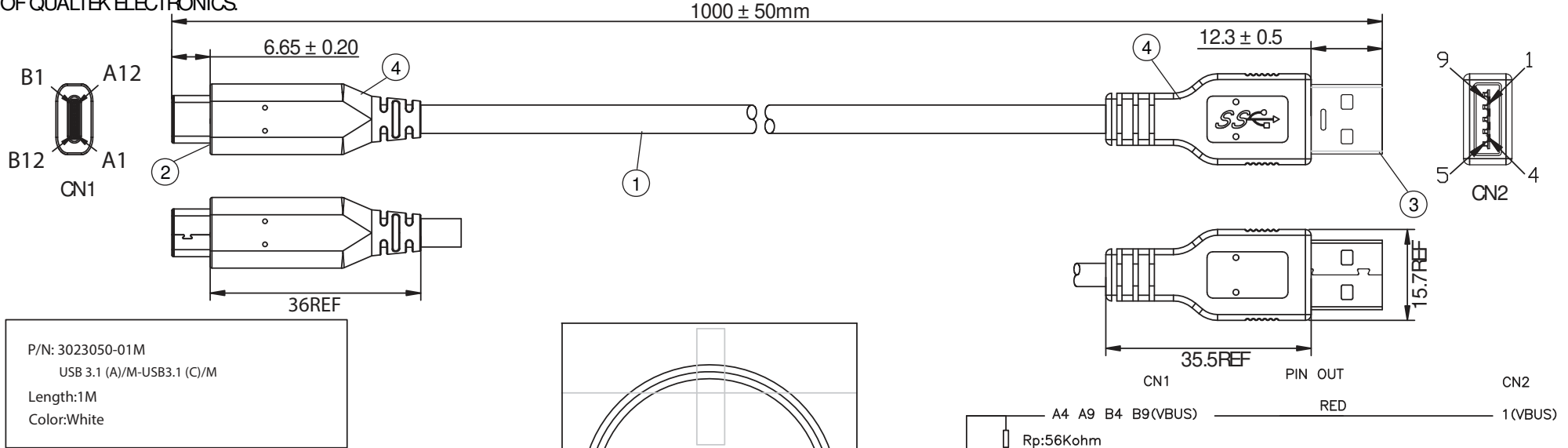


THESE DRAWINGS ARE THE PROPERTY OF QUALTEK ELECTRONICS AND NOT TO BE REPRODUCED FOR OR COMMUNICATED TO A THIRD PARTY WITHOUT THE EXPRESS WRITTEN PERMISSION OF AN OFFICER OF QUALTEK ELECTRONICS.

REVISION			
REV.	DESCRIPTION	DATE	APPROVED



NOTES:

1. CABLE:

(29AWGx1PR+ EAM)*2+ (32AWGx1PR+ AM)
 +24AWGx1C+T2EB 85%
 PVC OUTER JACKET: WHITE, OD: 5.0 ± 0.2mm

2. CONNECTOR: USB 3.1 GEN 1 TYPE C MALE

INSULATOR: BLACK PBT
 PIN 30u" GOLD PLATED
 NICKEL PLATED SHELL

3. CONNECTOR: USB 3.1 GEN 1 TYPE A MALE

INSULATOR: BLUE PBT
 PIN 30u" GOLD PLATED
 NICKEL PLATED SHELL

4. PVC MOLDED: COLOR 45P WHITE

5. ELECTRICAL TEST:

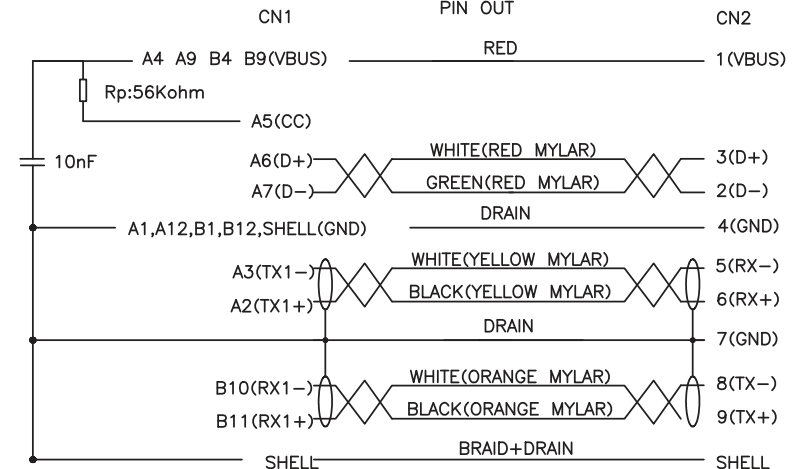
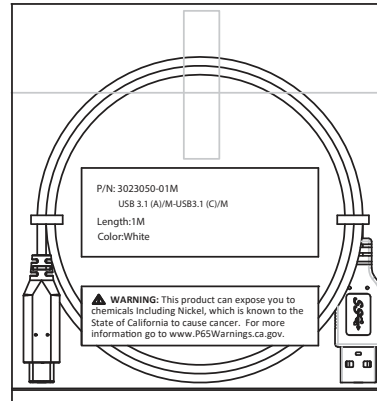
- <1>.100% OPEN SHORT & MISS WIRE TEST
- <2>.HI-POT: 50V AC/0.01 SEC 50V DC/0.01 SEC
- <3>.INSULATION RESISTANCE: 10M OHM (MIN)
- <4>.CONDUCTIVE RESISTANCE: 2 OHM (MAX)
- <5>.RESISTANCE DETECTION: Rp 56Kohm ± 10% BETWEEN A4 AND A5
- <5>.CAPACITANCE DETECTION: 10nF ± 20% BETWEEN A1 AND A4

6. DATA TRANSFER RATE UP TO 5Gbps (NOMINAL)

7. CURRENT RATING UP TO 3A (NOMINAL)

8. VOLTAGE RATING UP TO 20V (NOMINAL)

9. PACKING: 1PC/POLYBAG W/ LABEL



CONTROLLED

Dim range (mm)	Tolerance +/- (mm)	Qualtek Electronics Corp. WCI DIVISION		
		Part Number: 3023050-01M		RoHS Compliant
0-1	0.15	Description: USB 3.1(A)/M - USB 3.1 (C)/M		
1-6	0.20			
6-18	0.30	UNIT: mm		
18-50	0.50	Drawn / Date	Checked / Date	Approved / Date
50-120	0.70	R Nuti 10-29-18	10-29-18	LY / 10-29-18
120-250	0.90			
250-500	1.20			